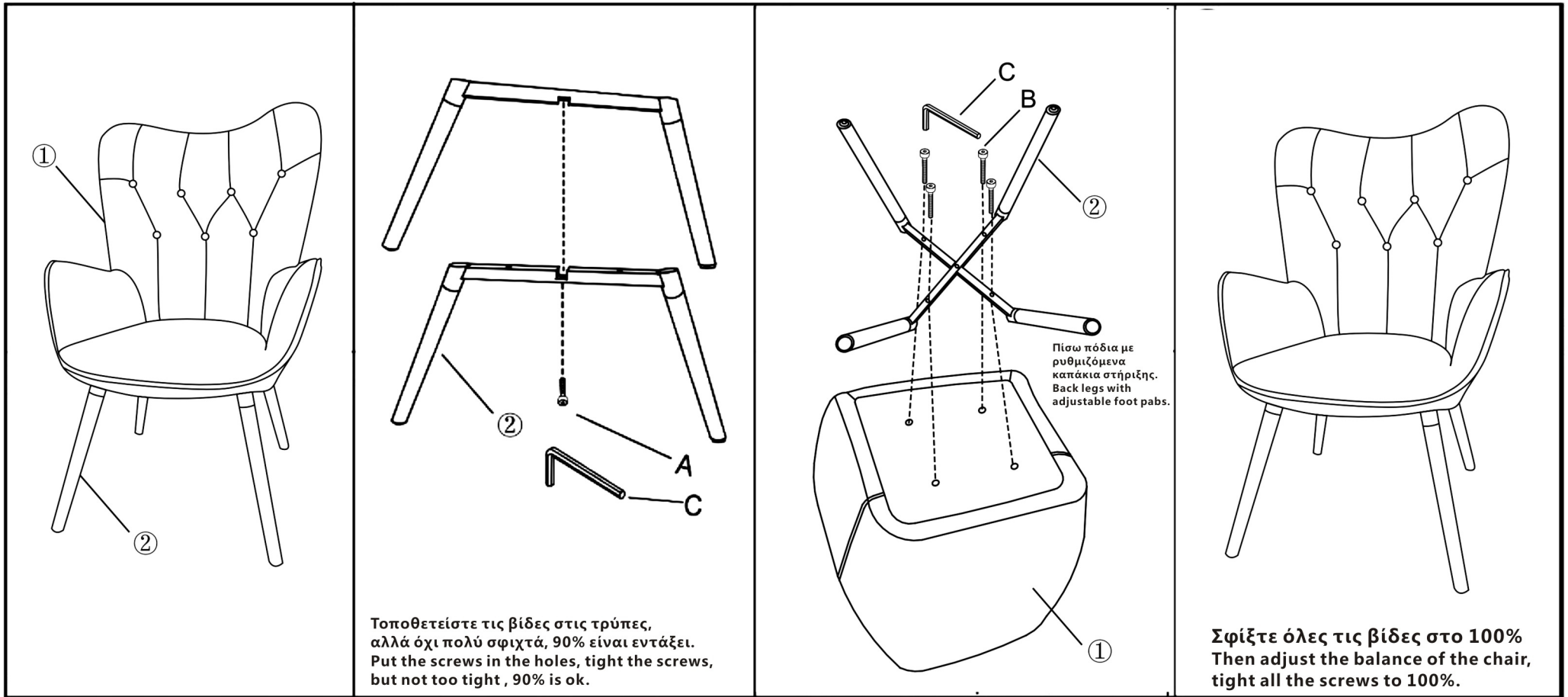





ASSEMBLY INSTRUCTIONS

ΟΔΗΓΙΕΣ ΣΥΝΑΡΜΟΛΟΓΗΣΗΣ



| HARDWARE LIST | CODE | PARTS | QTY. |
|---------------|------------|--------------|------|
| | 1 | ΚΑΘΙΣΜΑ-SEAT | 1 |
| 2 | ΠΟΔΙΑ-LEGS | 2 | |

| HARDWARE LIST | CODE | PARTS | QTY. |
|---------------|-----------|---|---|
| | A | M6 x 25MM |  |
| B | M6x48MM |  | 4 |
| C | ALLEN KEY |  | 1 |