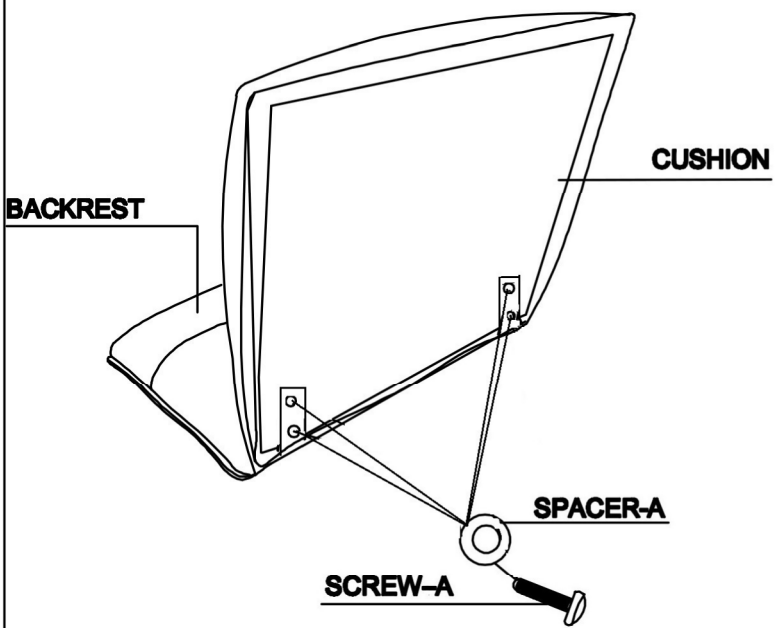


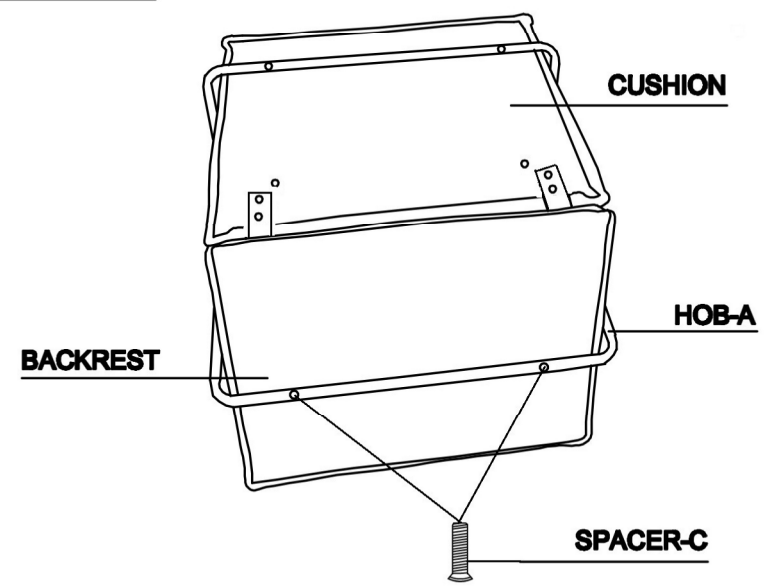
ASSEMBLY PROGRAM

PARTS*QTY

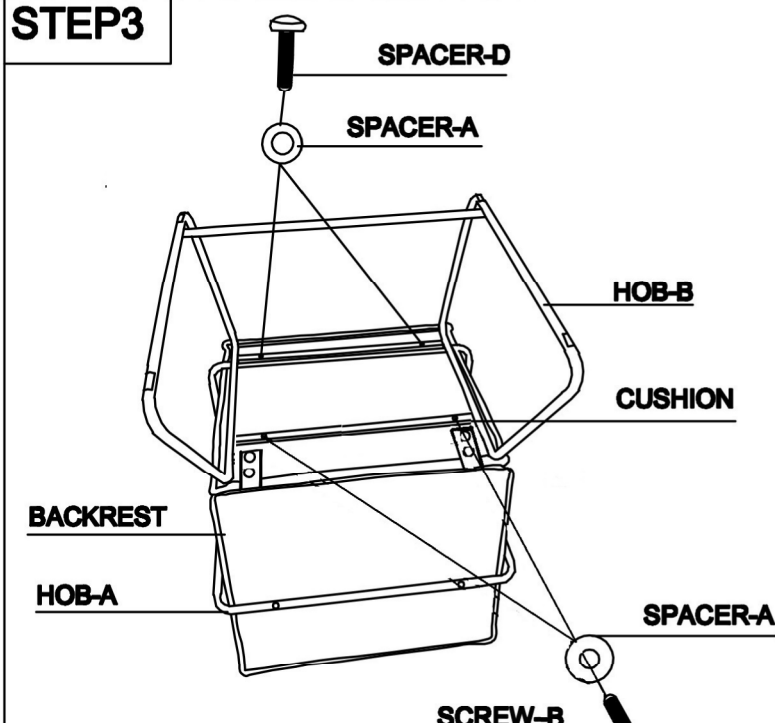
STEP1



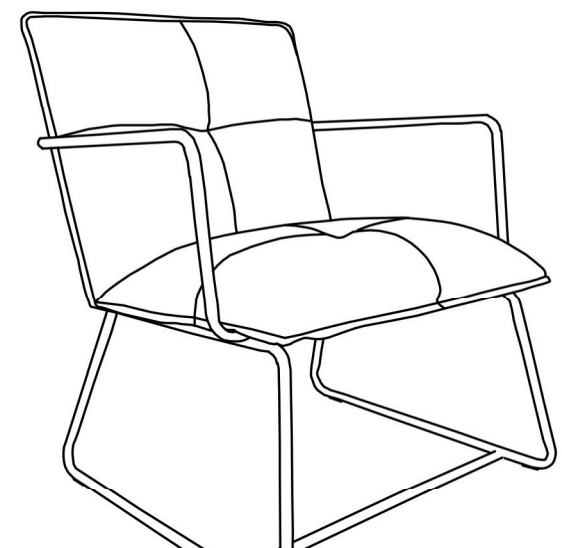
STEP2



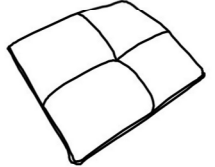

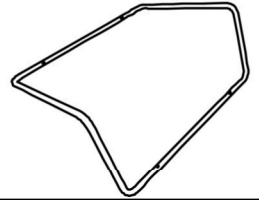
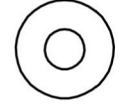
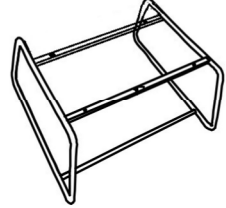
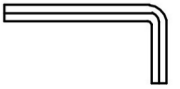



STEP3



FINISH



BACKRESTx1 	SCREW-C(M6X35mm)x2 
CUSHIONx1 	SCREW-D(M6X45mm)x2 
HOB-AX1 	SPACER-A(M6X18mm)x8 
HOB-BX1 	SPANNERX1 
SCREW-A(M6X25mm)x4 	
SCREW-B(M6X30mm)x2 