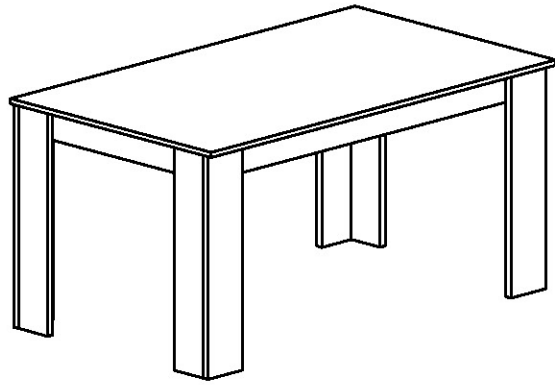


2 ΧΡΟΝΙΑ ΕΓΓΥΗΣΗ

A	1370x850	1//1
B	2x 1310x100	1//1
C	2x 754x100	1//1
D	754x100	1//1
E	2x 732x120	1//1
F	2x 732x102	1//1
G	2x 732x120	1//1
H	2x 732x102	1//1



26x 10015	36x 10013	26x 50317	8x 50738	16x 10093	16x M 6x30 10025	16x Φ 3.5/20 10002
------------------	------------------	------------------	-----------------	------------------	----------------------------	------------------------------

