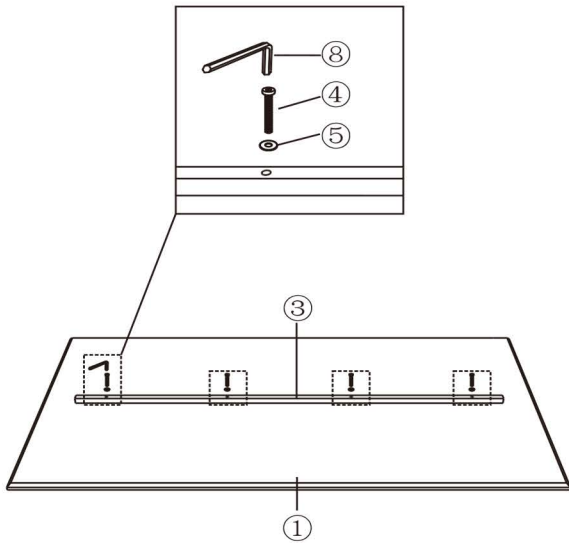
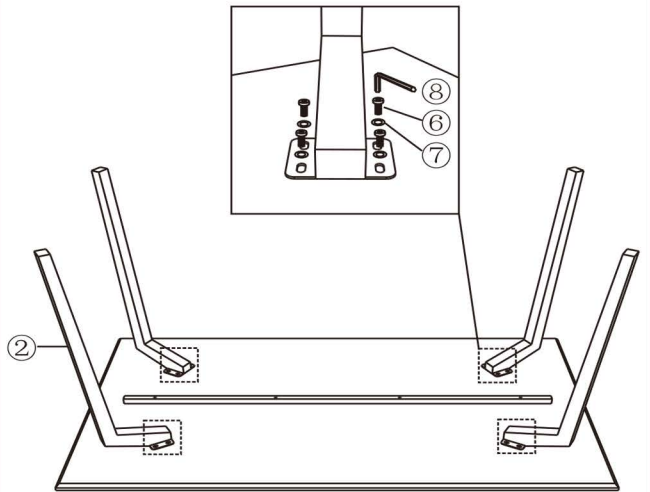


1**2****3**

①



x1

②



x4

③



x1

④



x4

M6x55MM

⑤



x4

6x16MM

⑥



x16

M8x20MM

⑦



x16

8x16MM

⑧



x1

M5