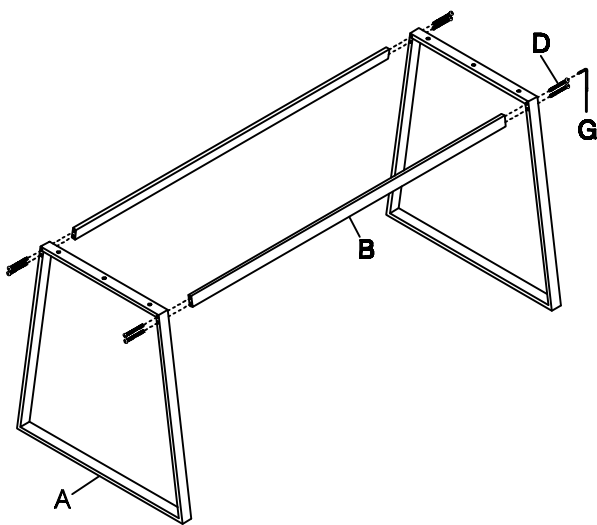
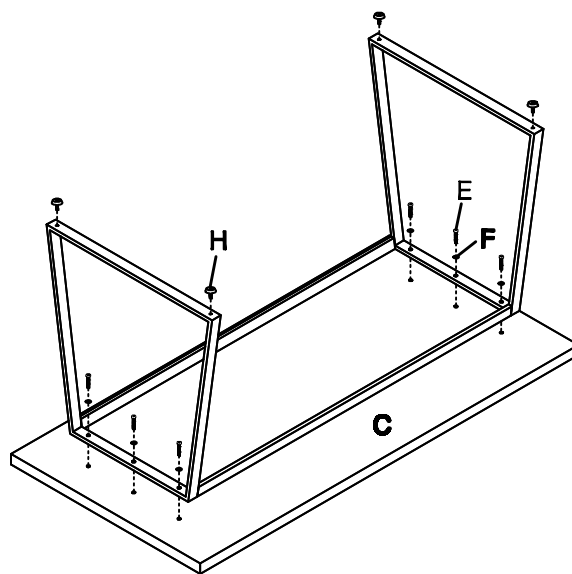


Ax2	Bx2	Cx1	Dx8	Ex6	Fx6	Gx1	Hx4

1



2



3

