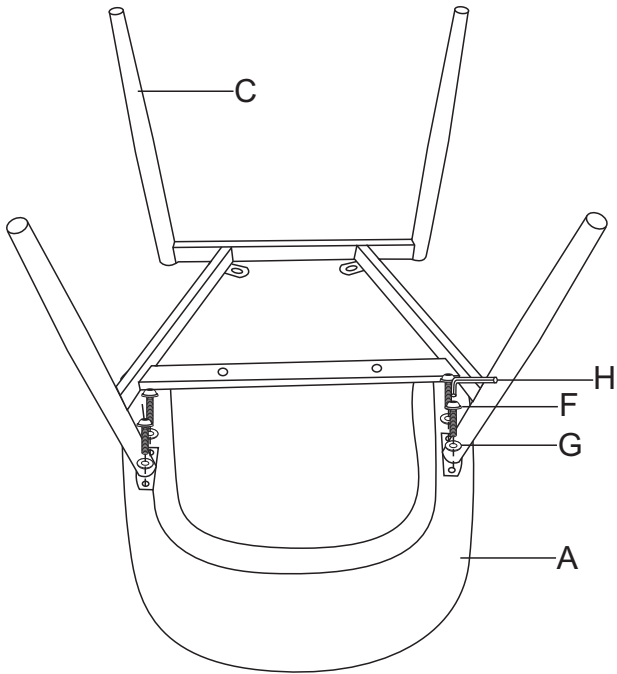
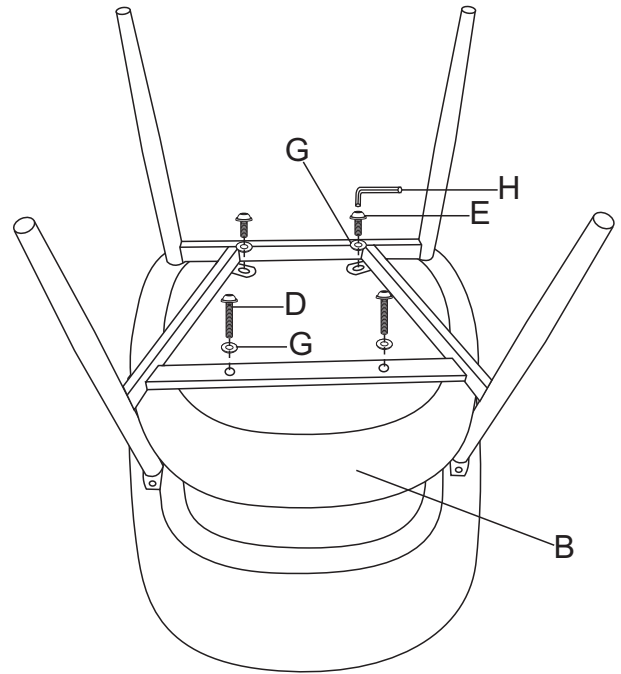


ASSEMBLY INSTRUCTION

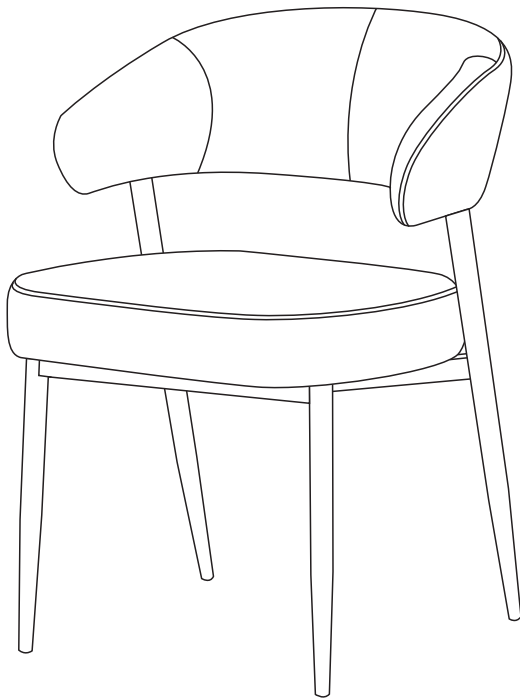
1



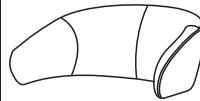
2



3



Ax1



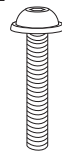
Bx1



Cx1

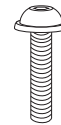


Dx2



M6x35mm

Ex2



M6x25mm

Fx4



M6x20mm

Gx8



Hx1

