

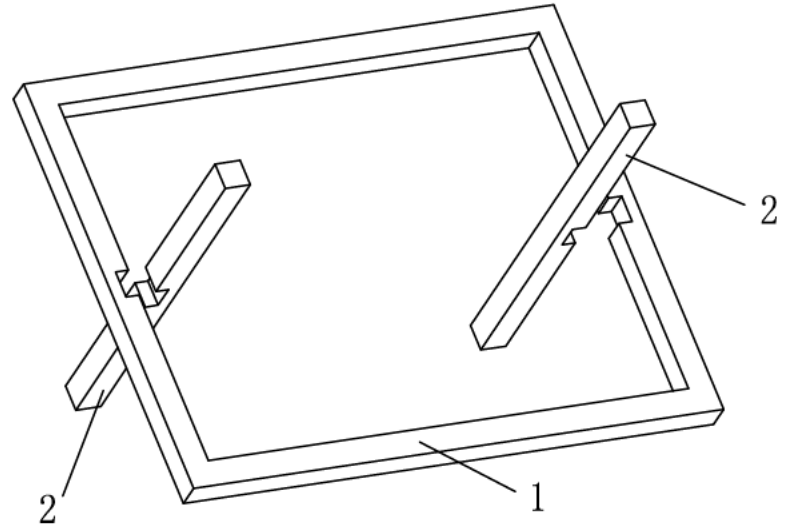
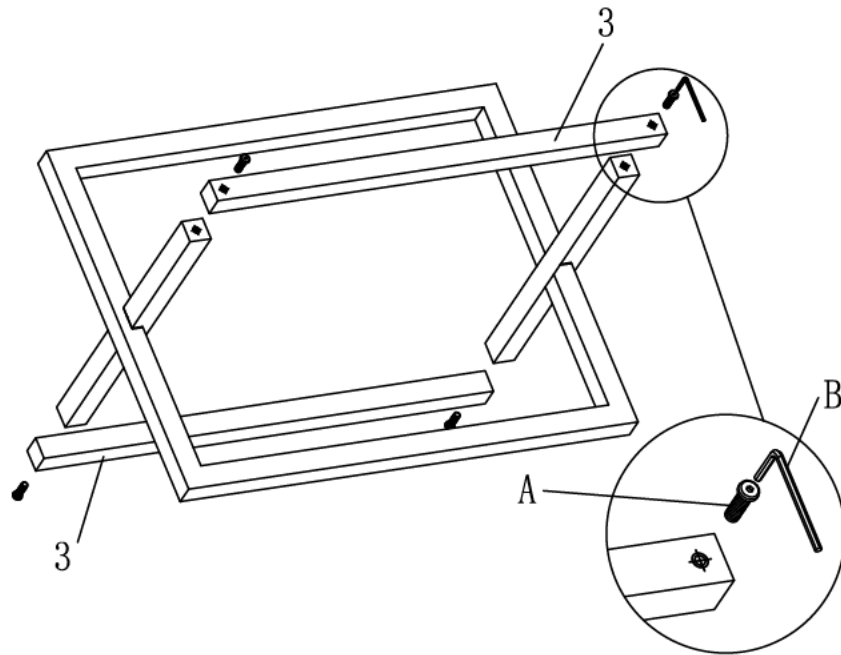


- A  
  
6\*40 x4
- B  
  
4mm x1

1



2



3

