

A



16X

B



∅3.5*14

4X

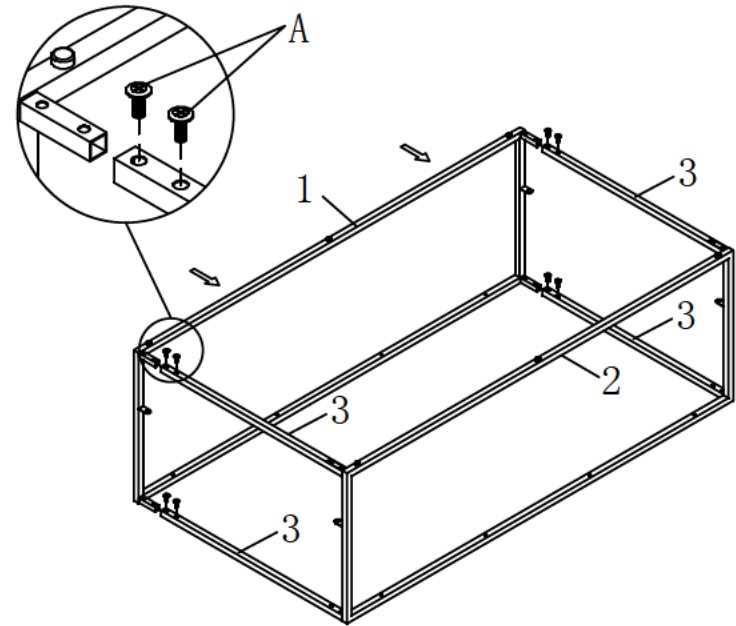
C



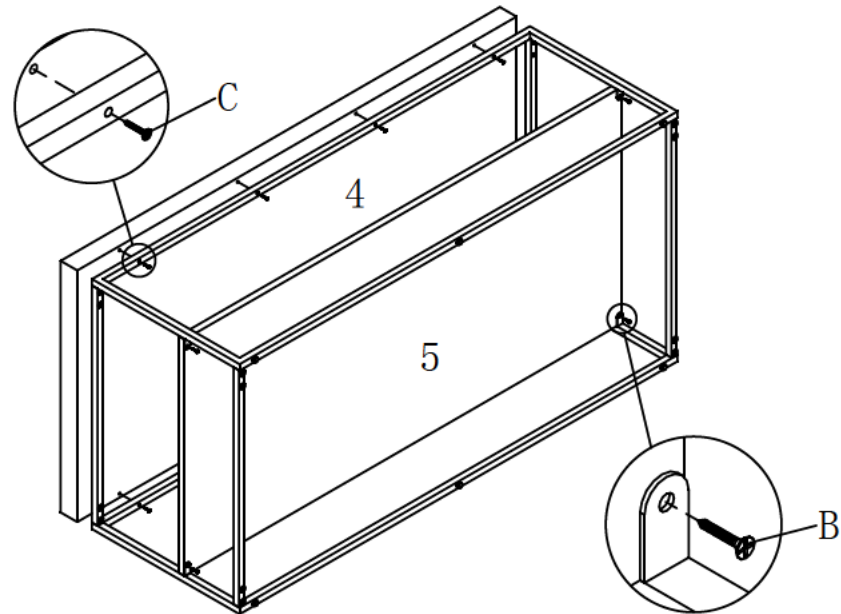
∅3.5*35

8X

1



2



3

