

A × 9



B × 9



C × 24



D × 9



E × 8



F × 1



G × 4



H × 2



I × 2



J × 20

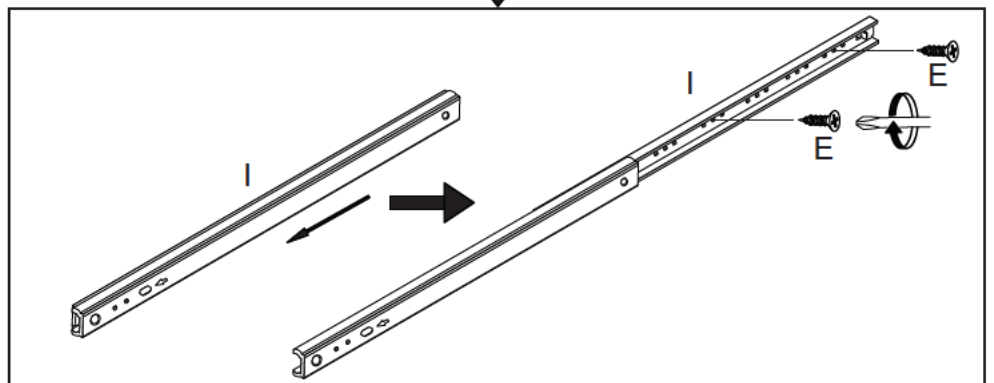
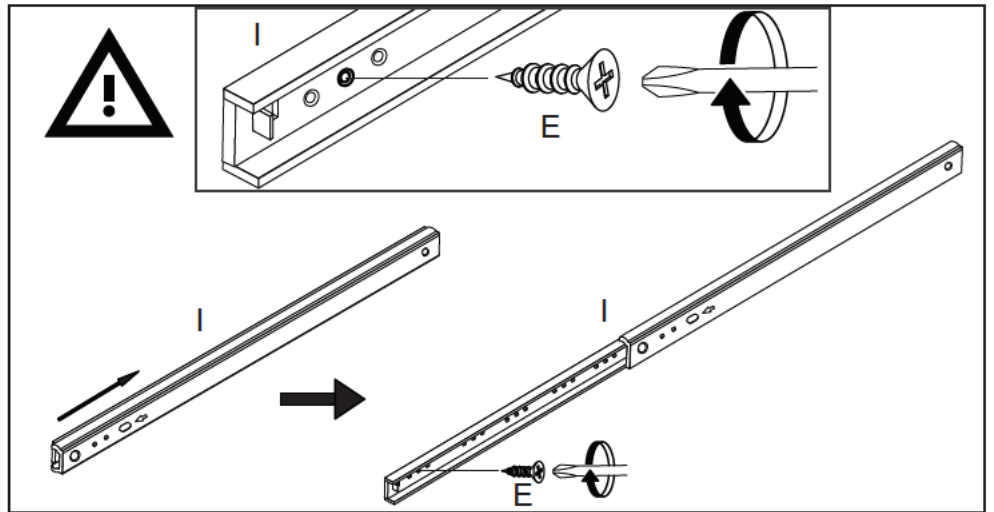
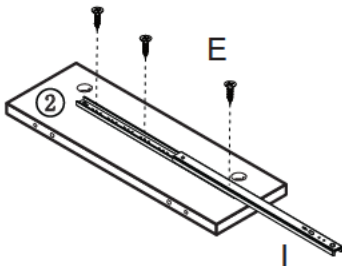
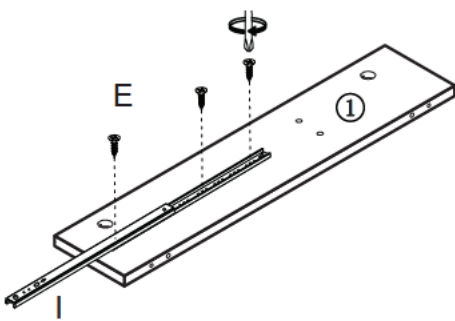


K × 1

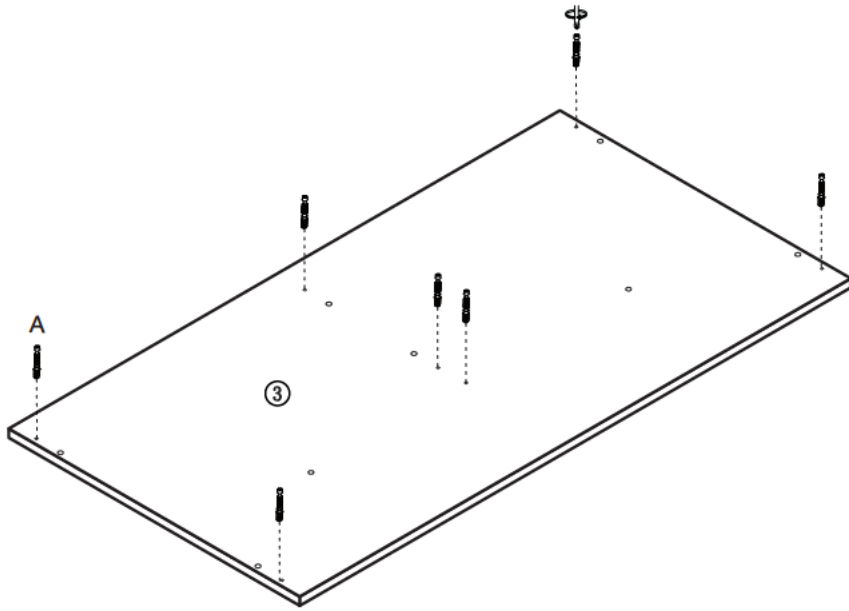


L × 1

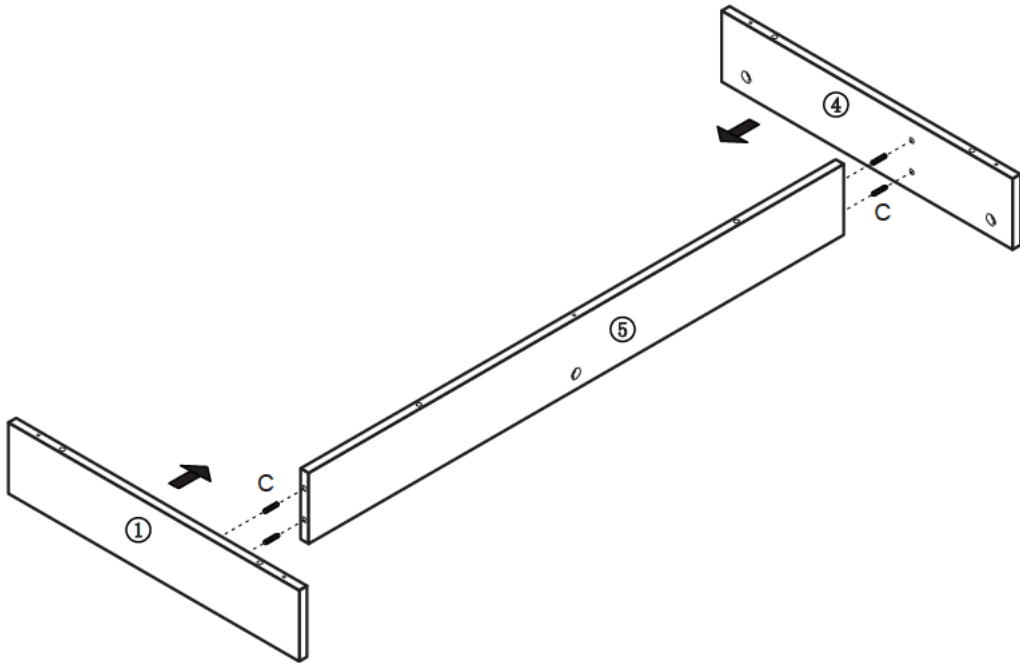
1



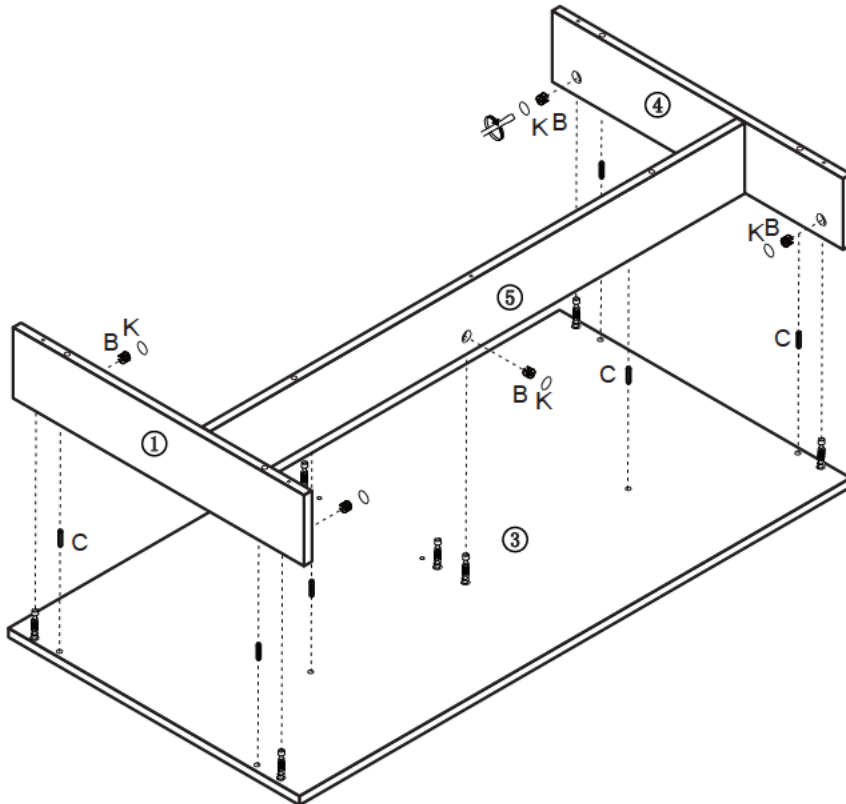
2



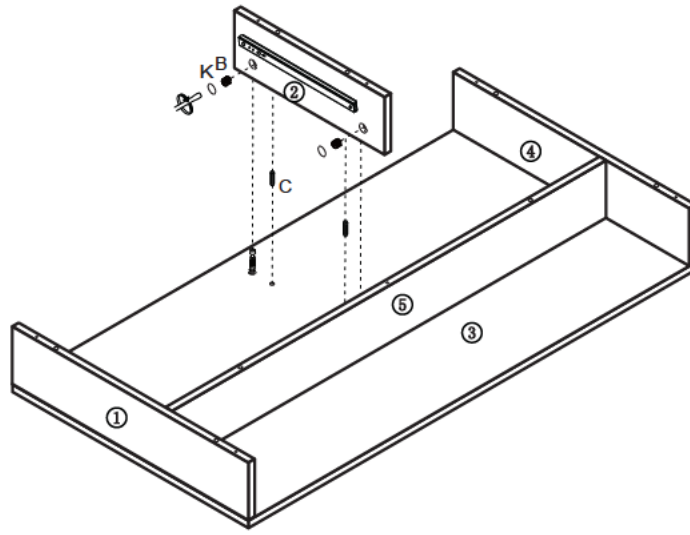
3



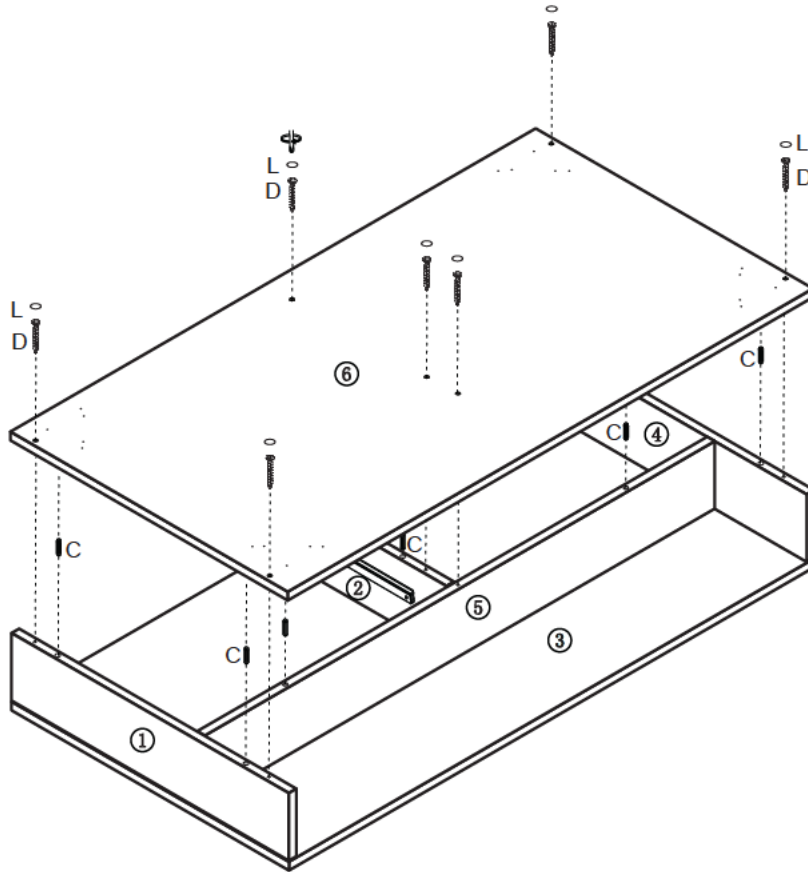
4



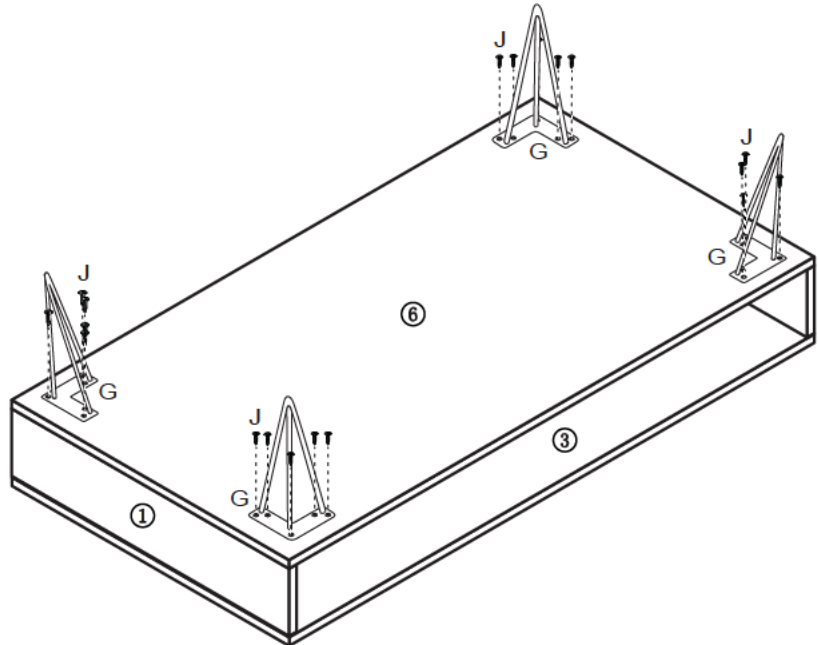
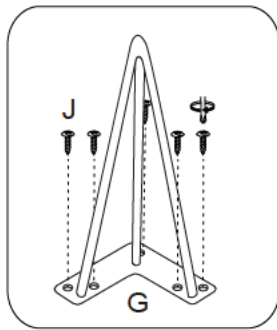
5



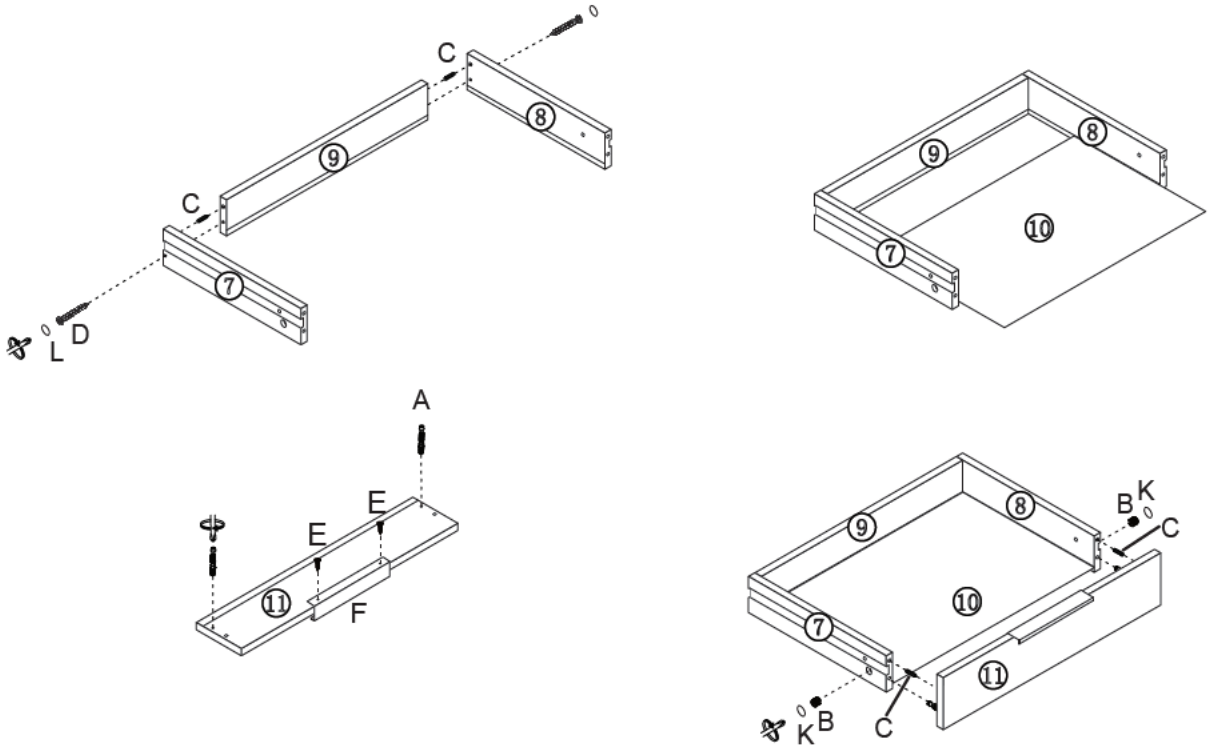
6



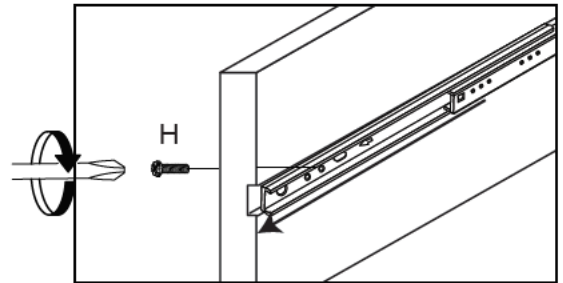
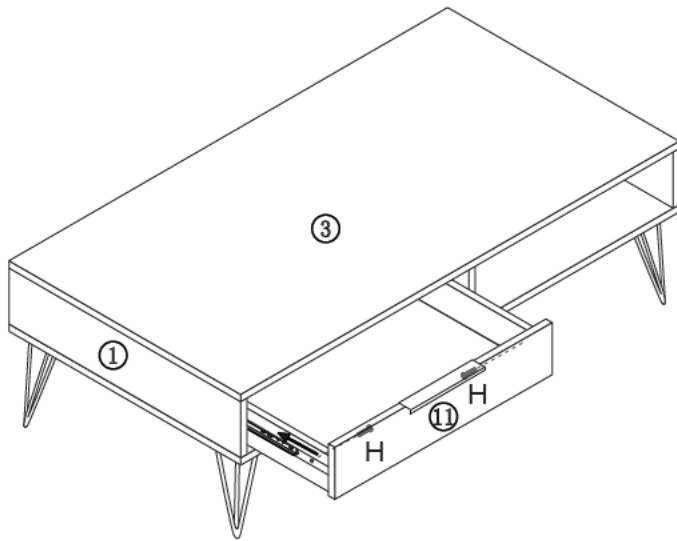
7



8



9



10

