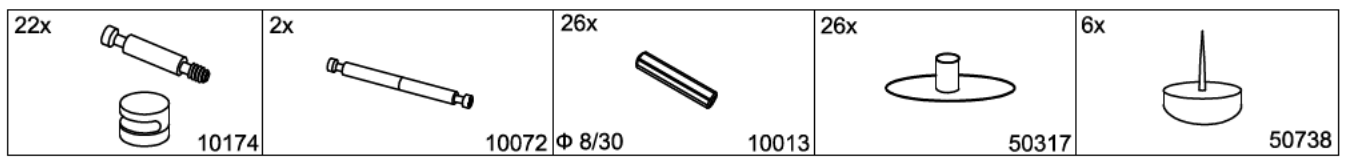
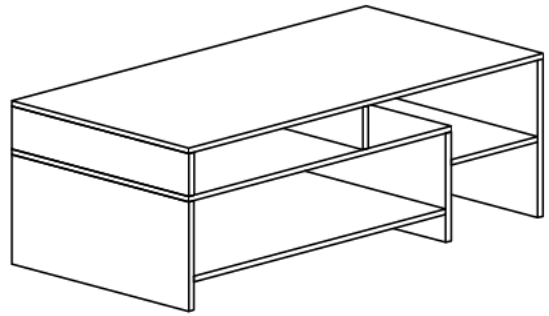
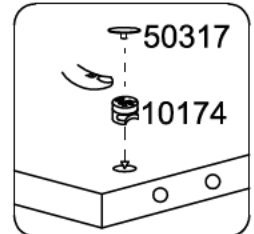
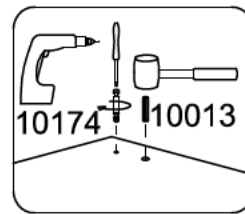
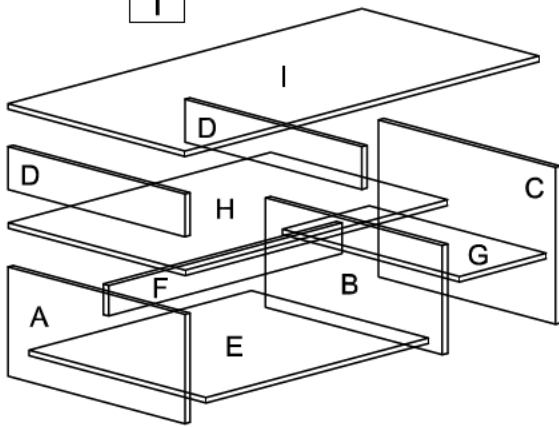


**2 ΧΡΟΝΙΑ ΕΓΓΥΗΣΗ**

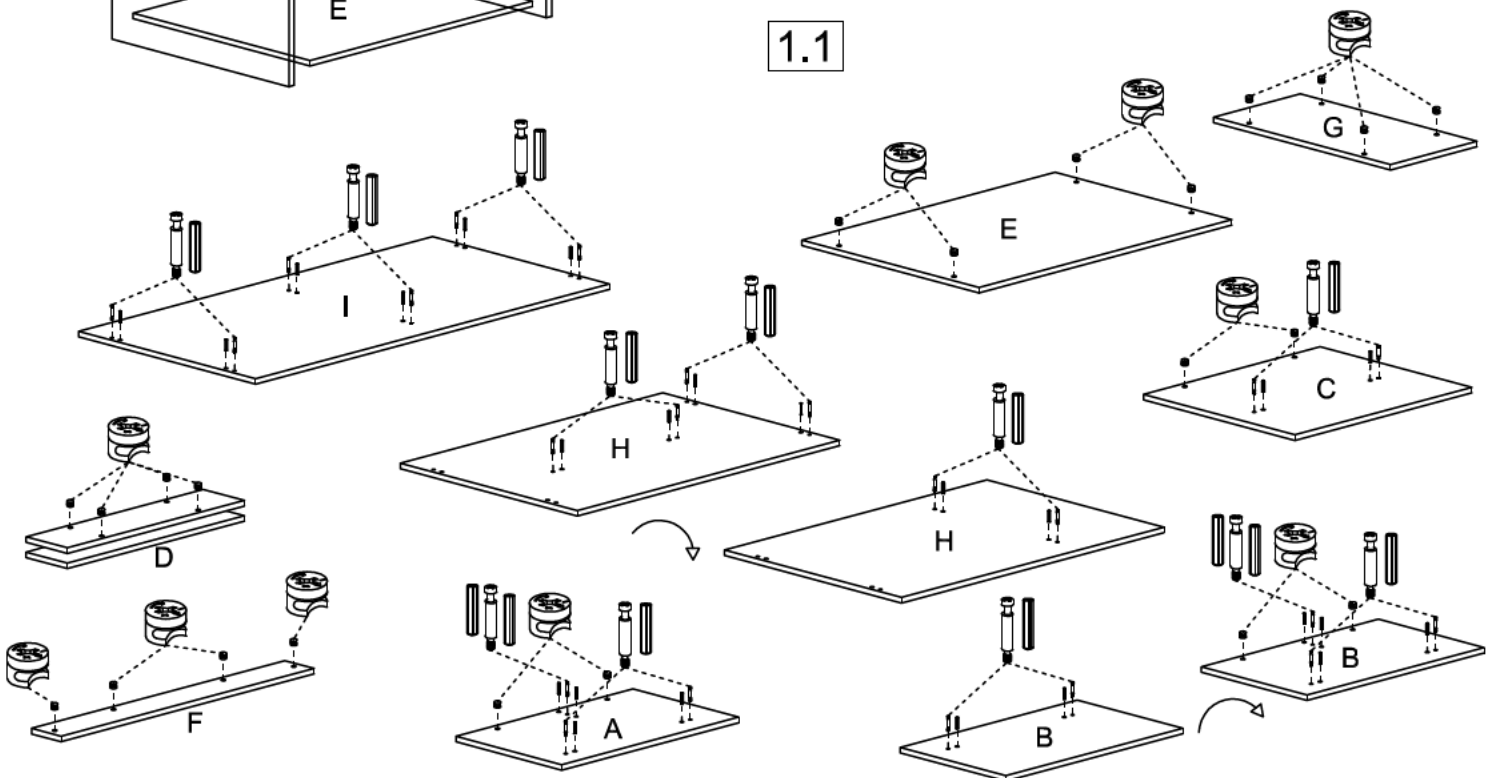
A	358x600	2/2
B	358x600	2/2
C	514x600	2/2
D	2x 140x600	2/2
E	858x600	2/2
F	858x100	2/2
G	294x600	1/2
H	890x600	1/2
I	1200x600	1/2

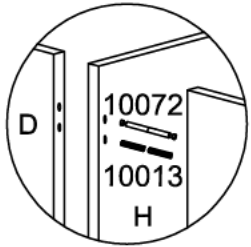
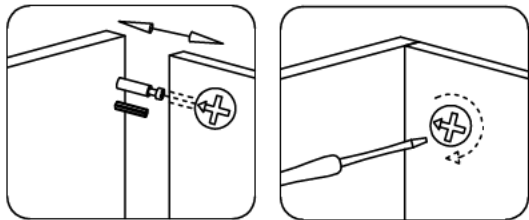


1

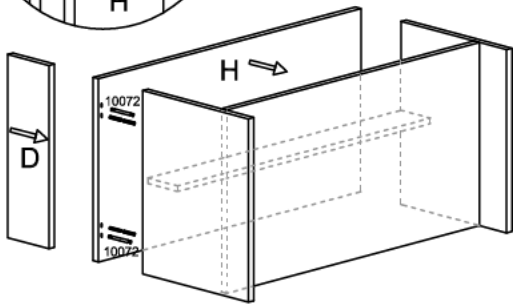


1.1

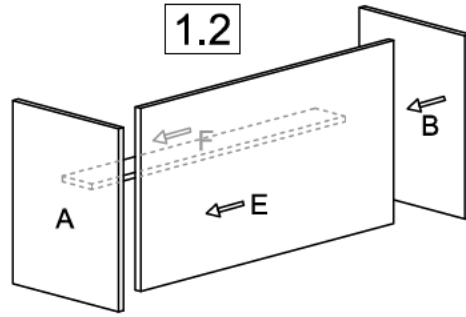




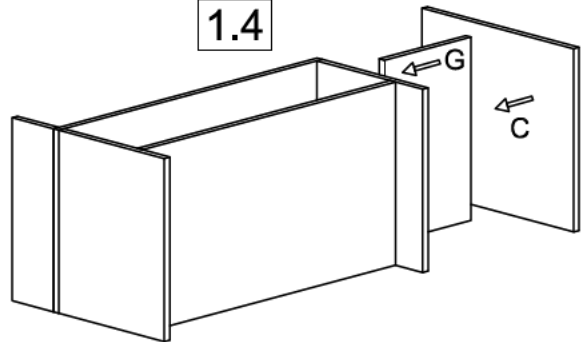
1.3



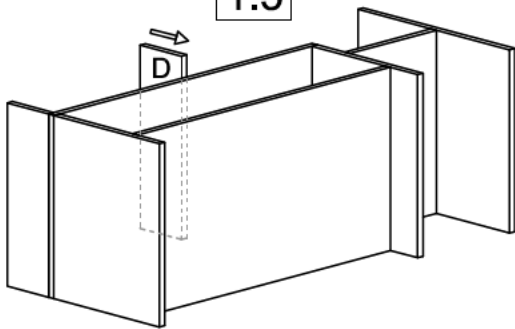
1.2



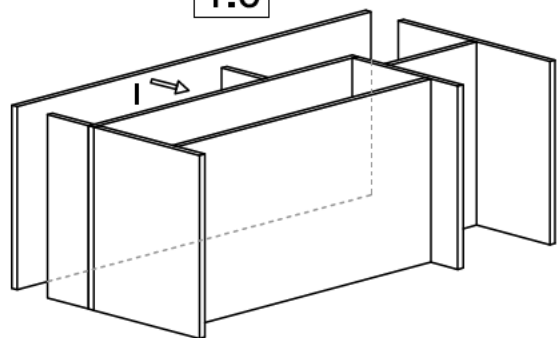
1.4



1.5



1.6



1.7

