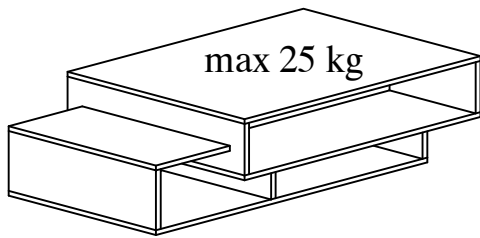
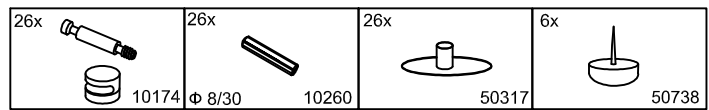


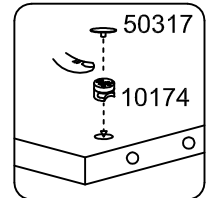
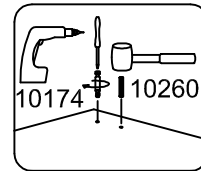
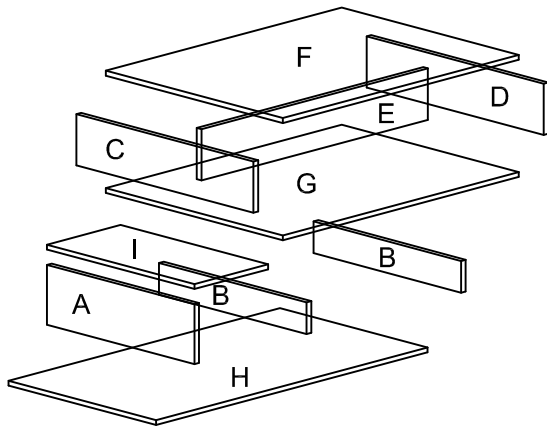
2 ΧΡΟΝΙΑ ΕΓΓΥΗΣΗ



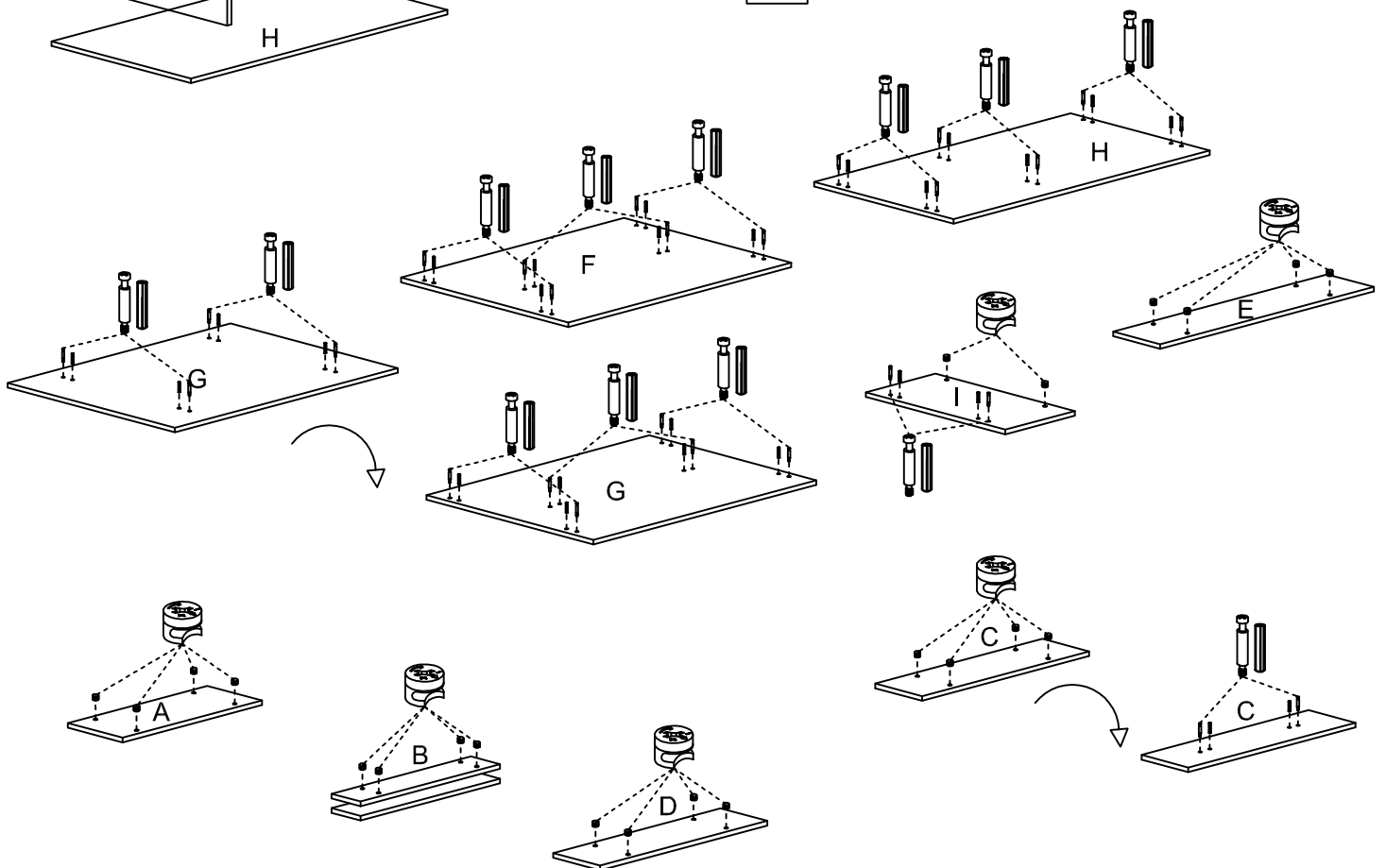
A	196x500	1/1
B	2x 104x500	1/1
C	168x600	1/1
D	168x600	1/1
E	168x768	1/1
F	800x600	1/1
G	800x600	1/1
H	920x500	1/1
I	250x500	1/1

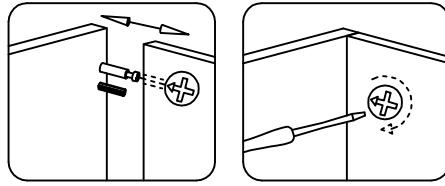


1

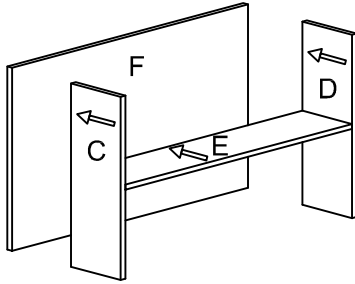


1.1

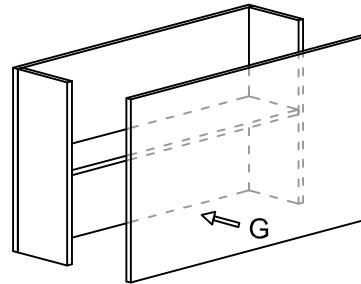




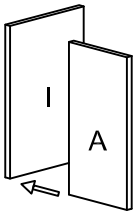
1.2



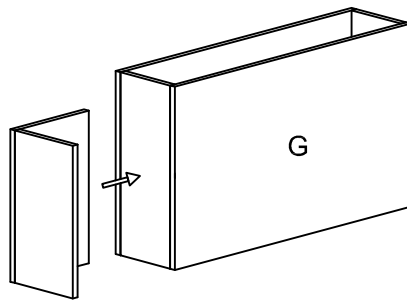
1.3



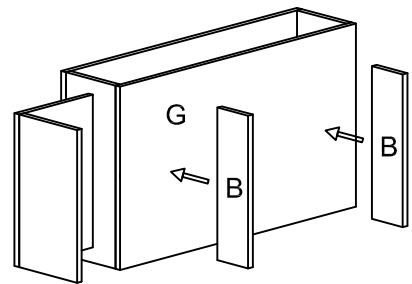
1.4



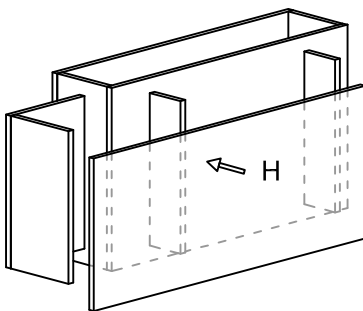
1.5



1.6



1.7



1.8

