

A × 10



B × 10



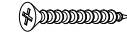
C × 18



D × 12



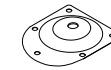
E × 20



F × 10



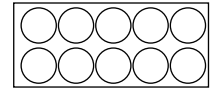
G × 4



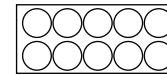
H × 4



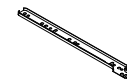
I × 1



J × 1



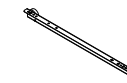
K × 1



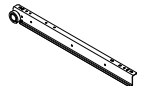
CL × 1



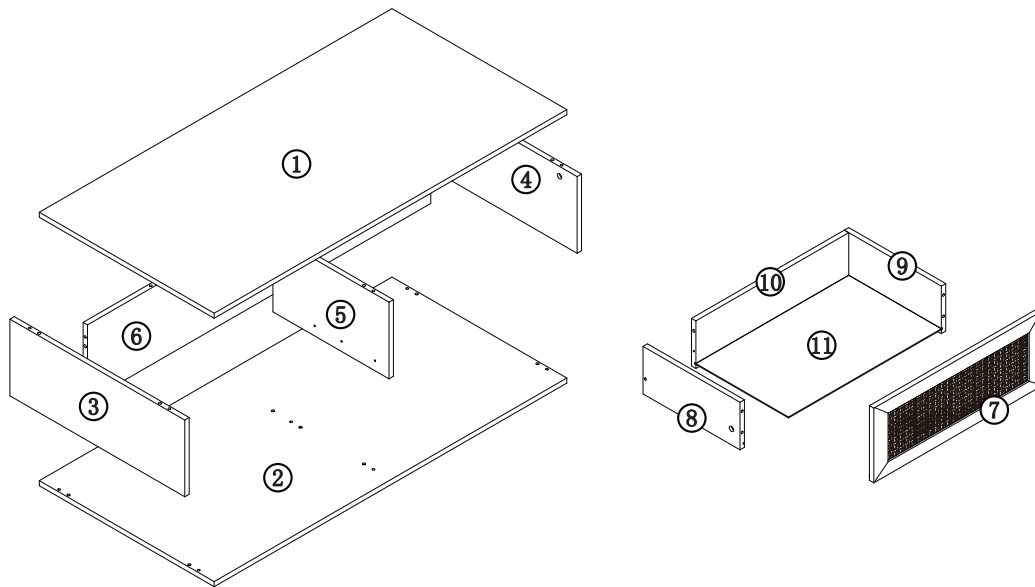
CR × 1



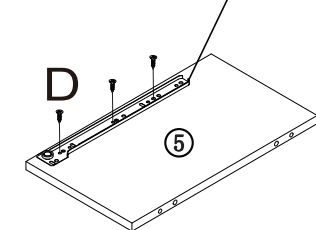
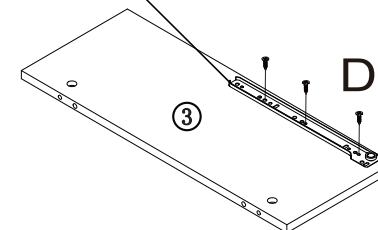
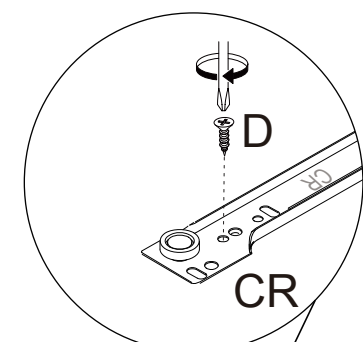
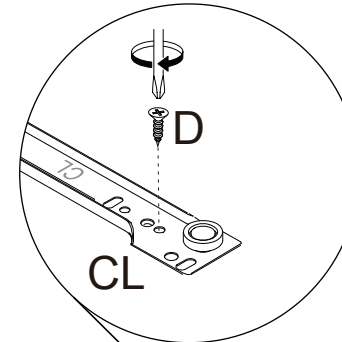
DL × 1



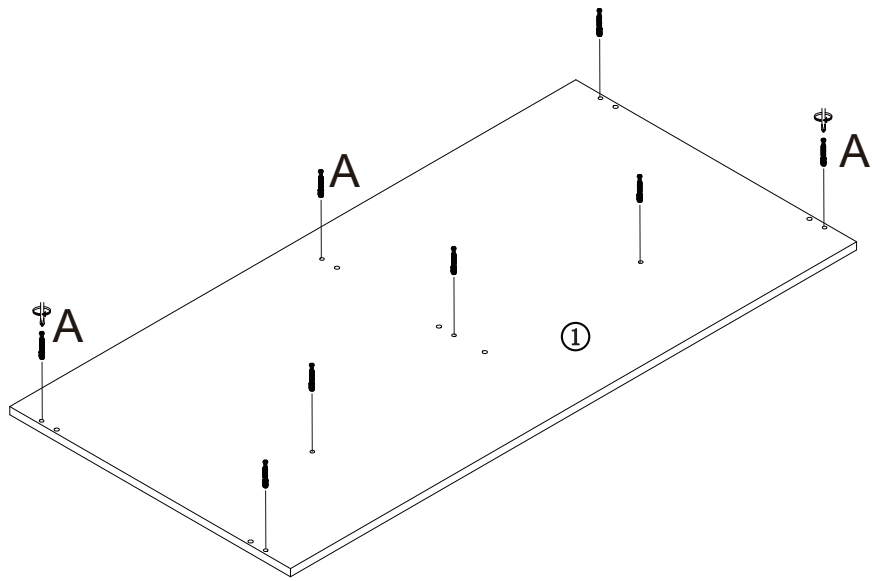
DR × 1



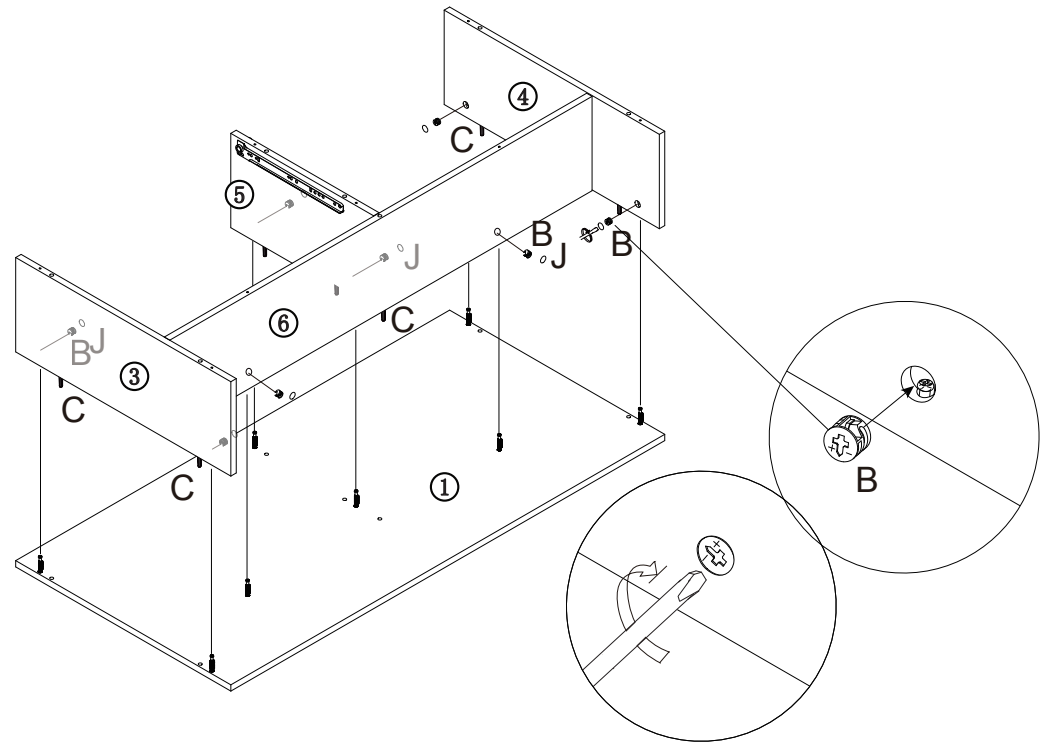
1



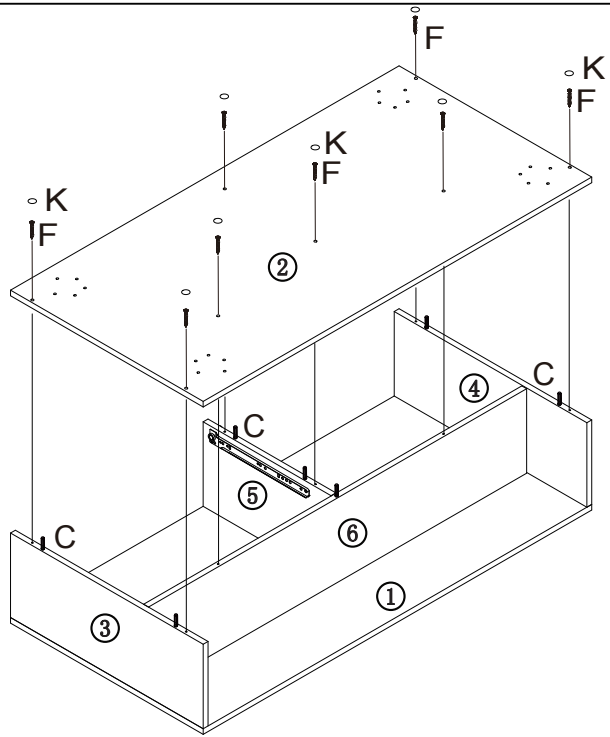
2



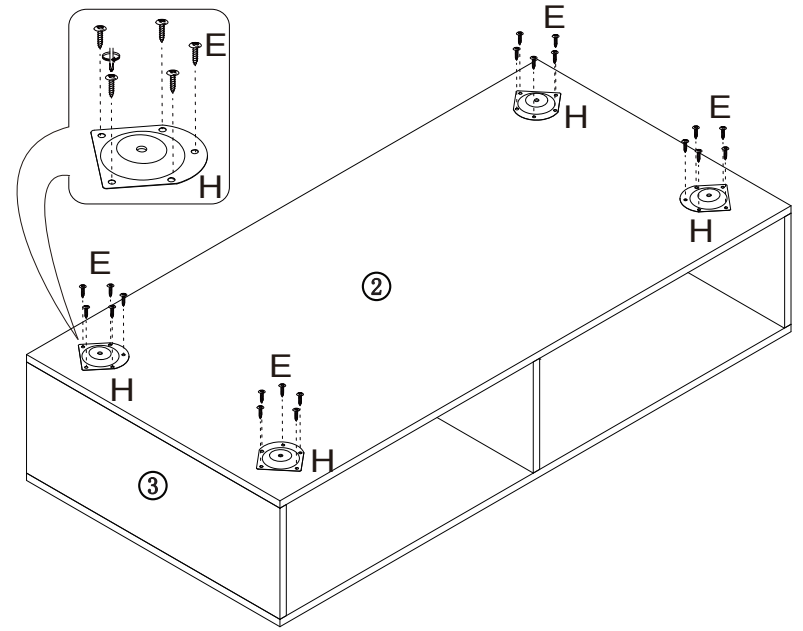
3



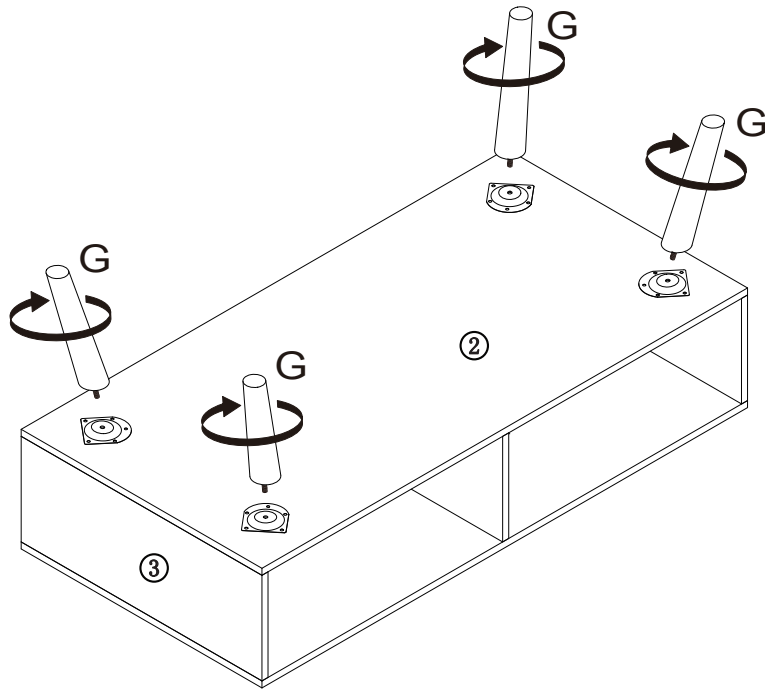
4



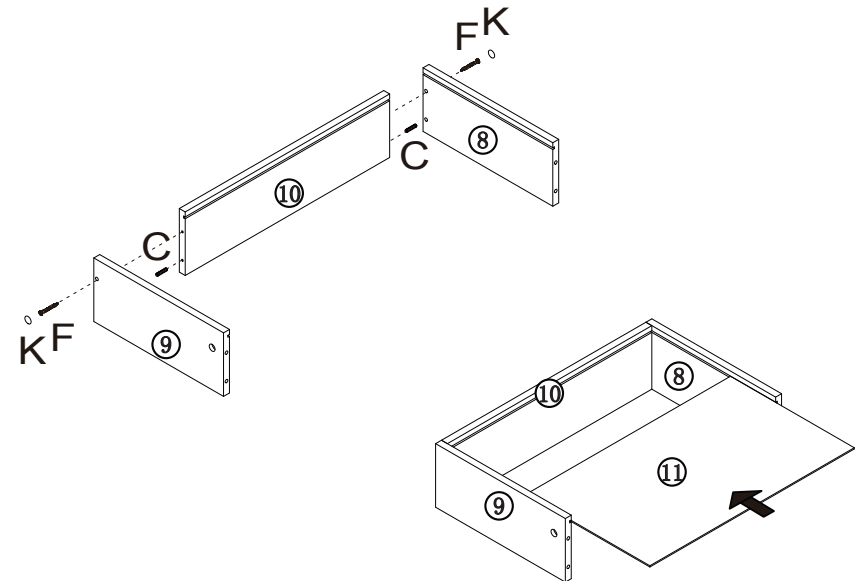
5



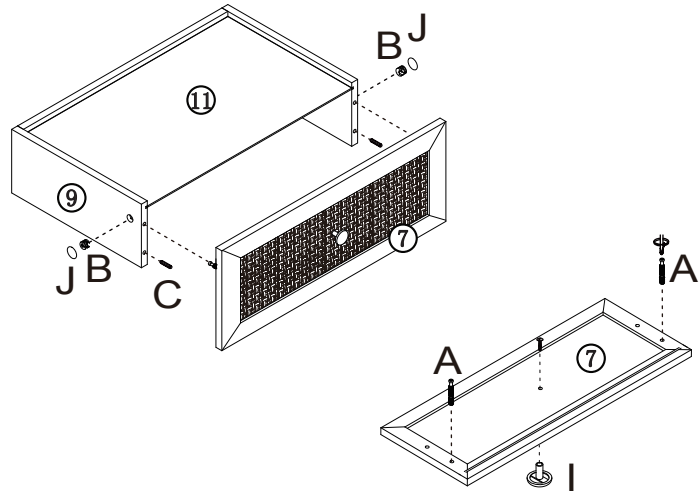
6



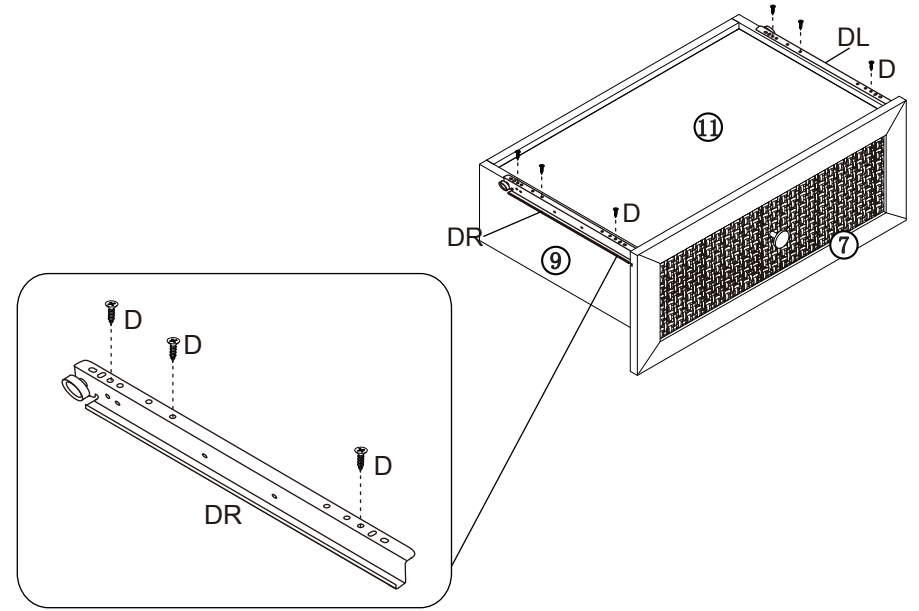
7



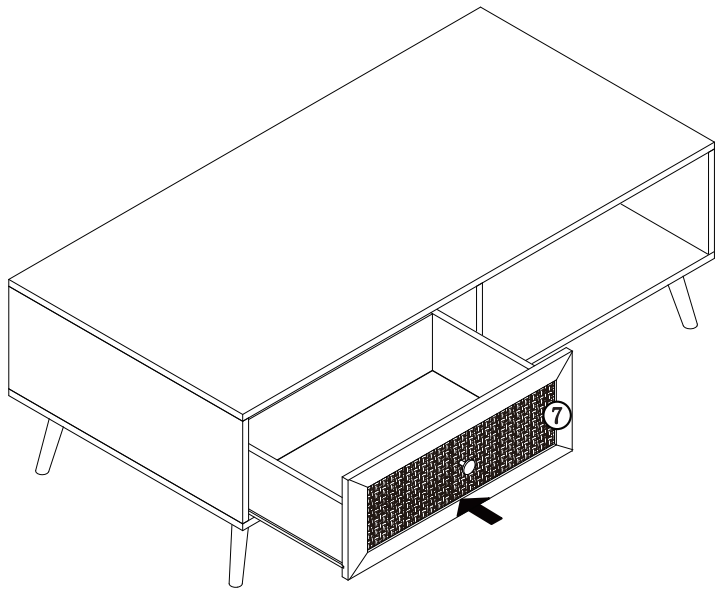
8



9



10



11

