

A × 39



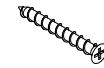
B × 39



C × 36



D × 12



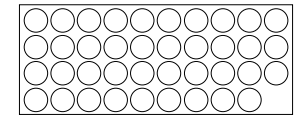
E × 11



F × 14



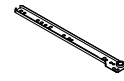
G × 1



H × 1



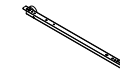
I × 1



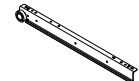
CL × 1



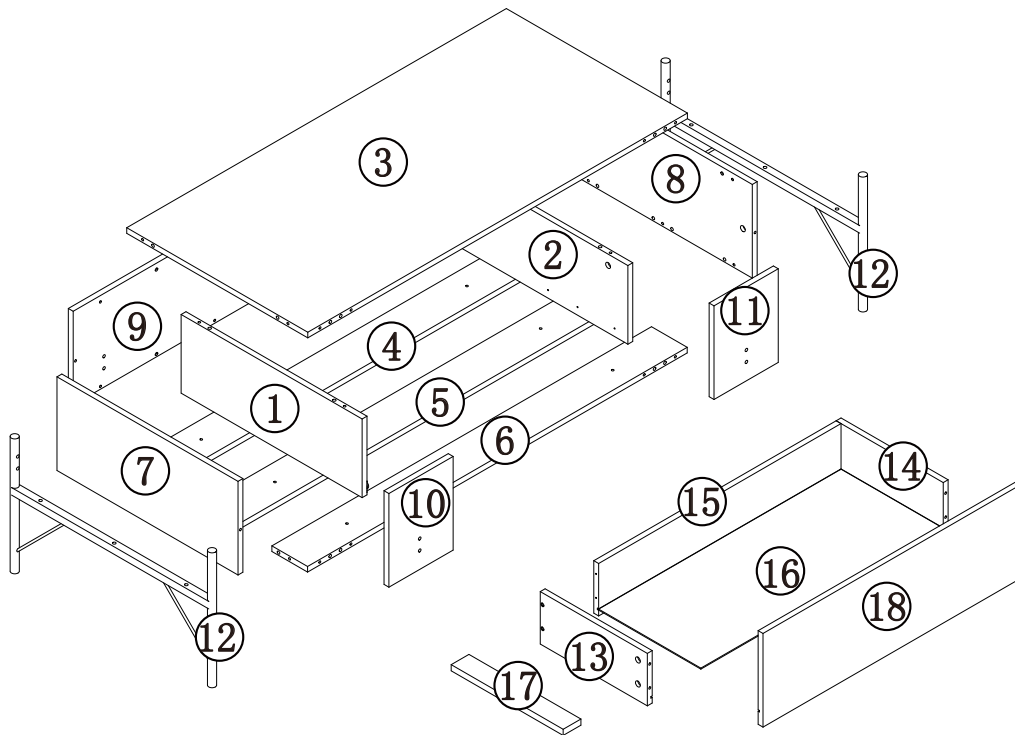
CR × 1



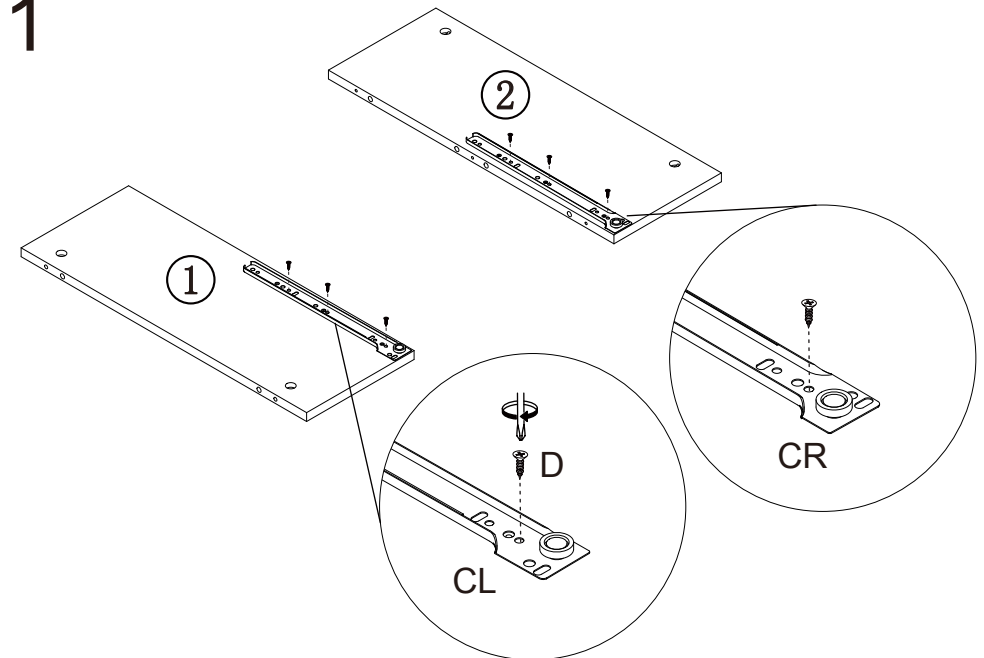
DL × 1



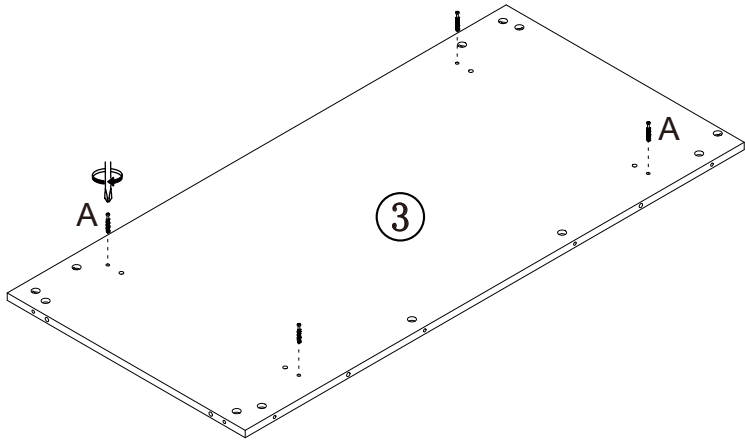
DR × 1



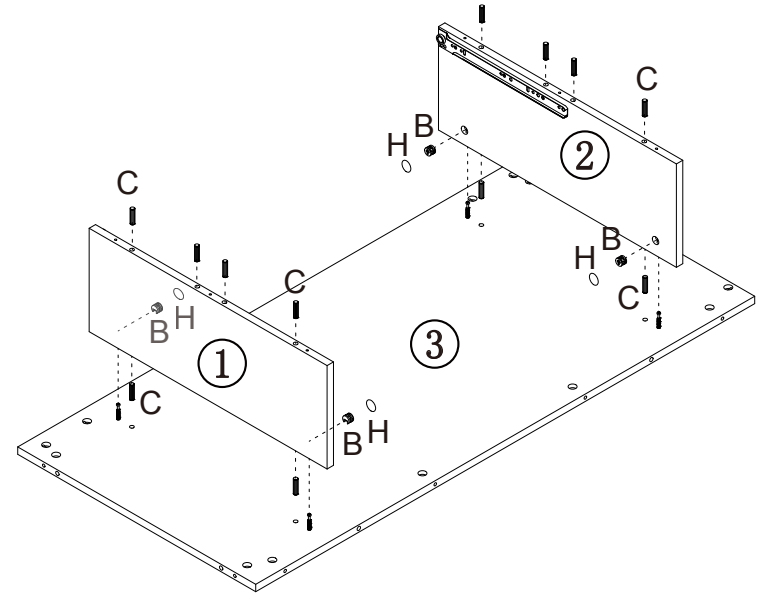
1



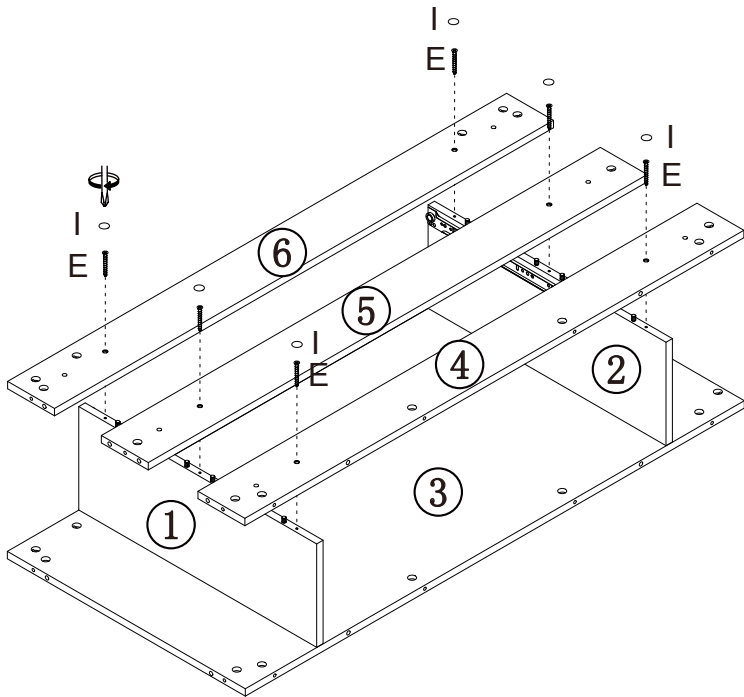
2



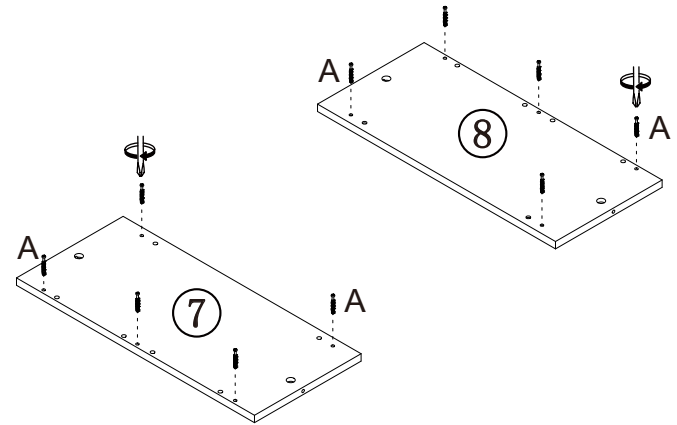
3



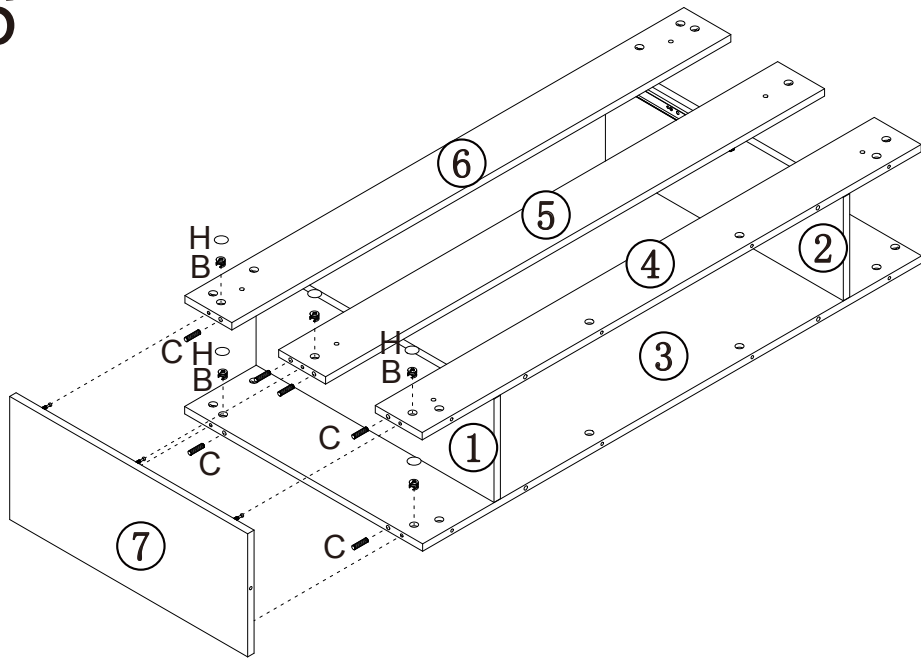
4



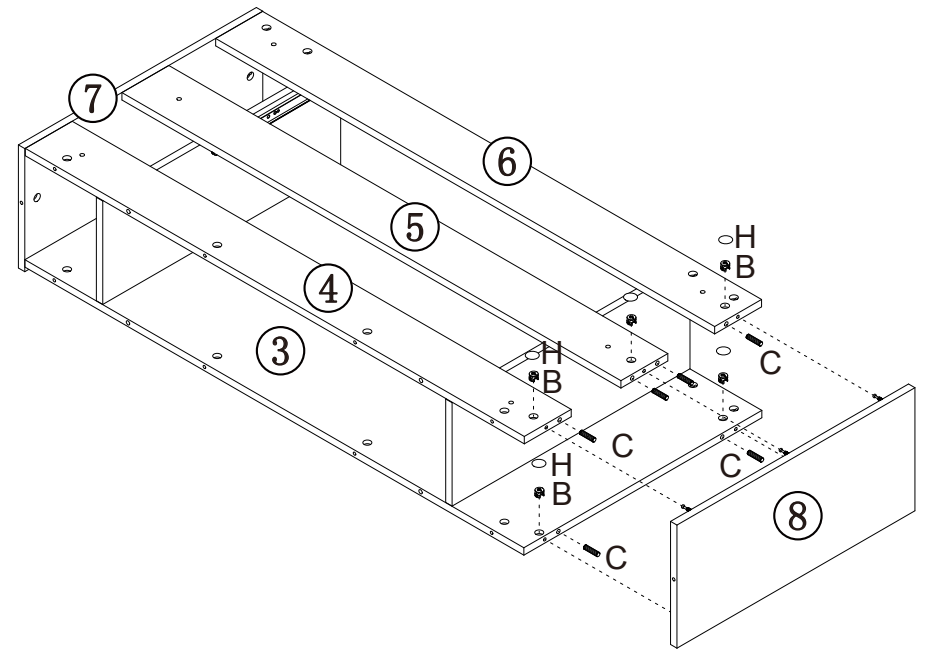
5



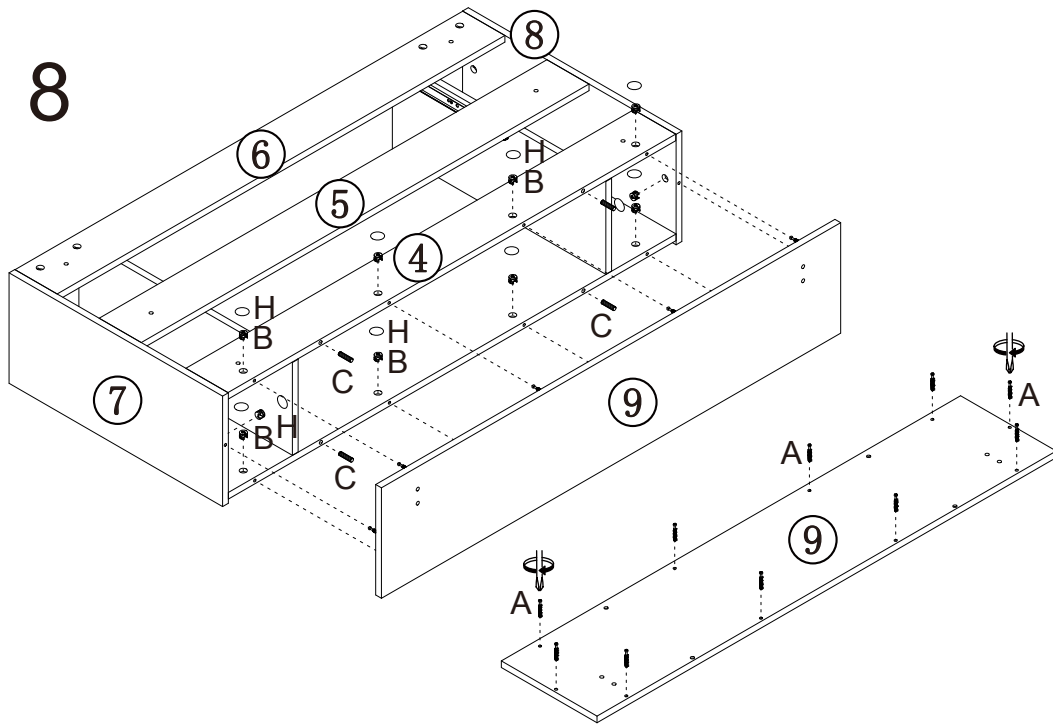
6



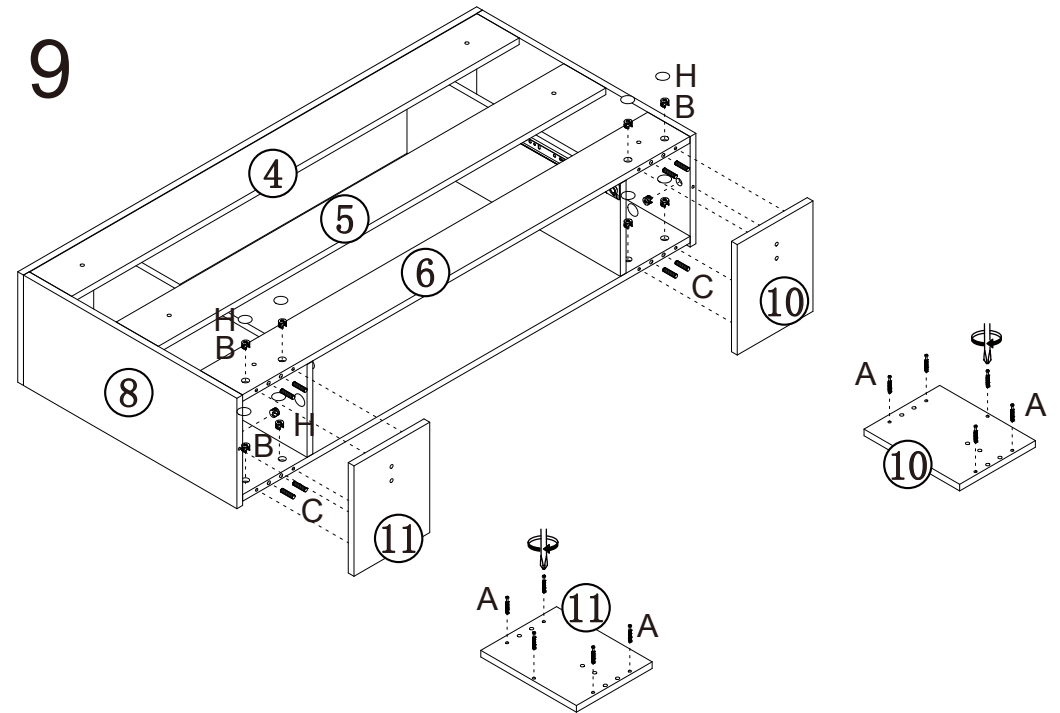
7



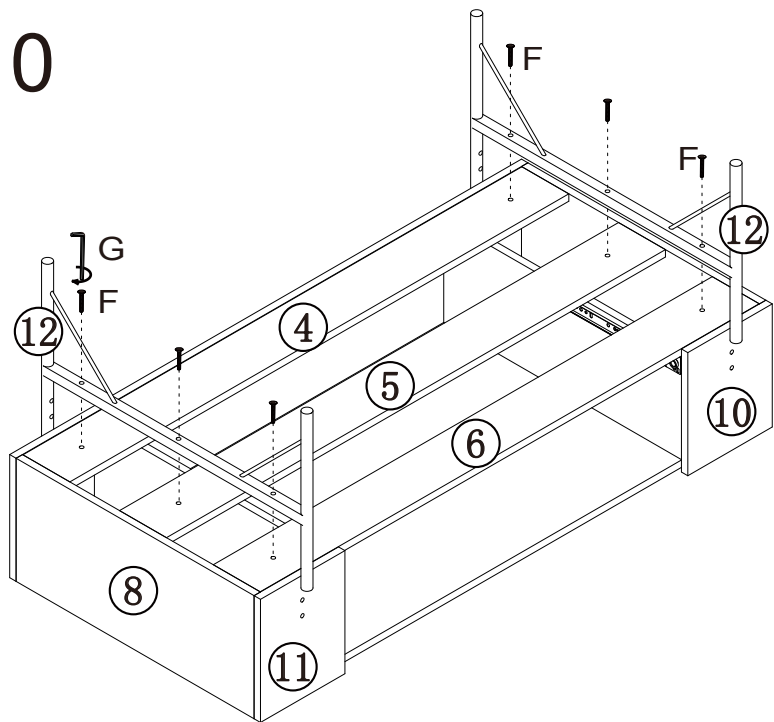
8



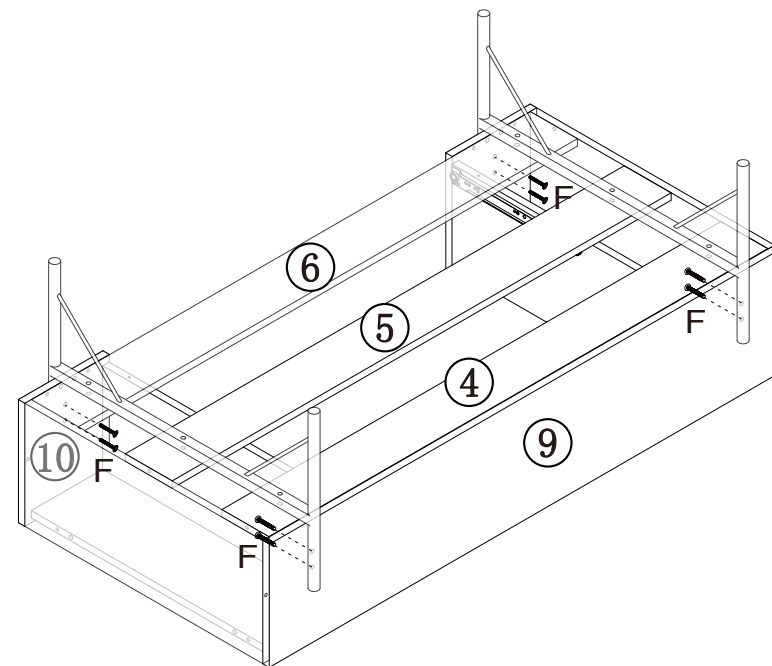
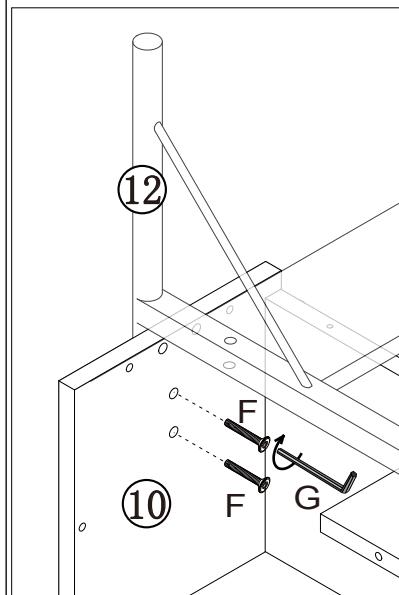
9



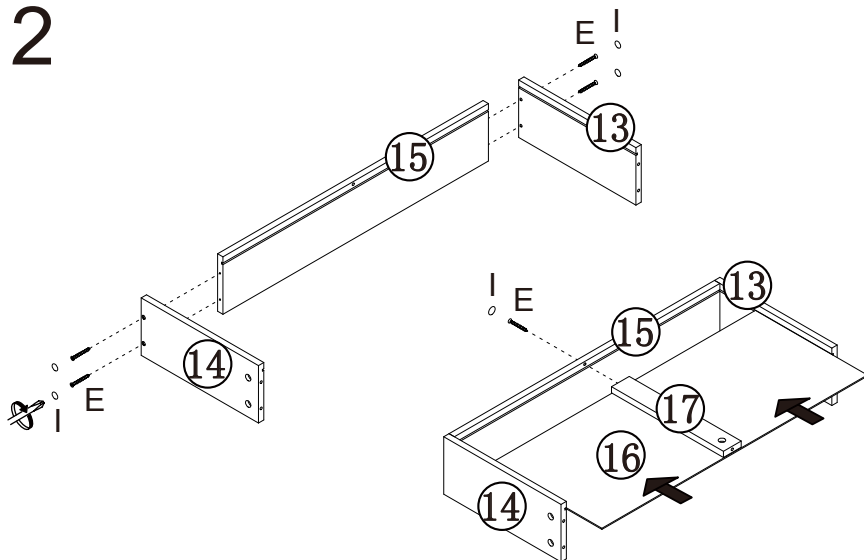
10



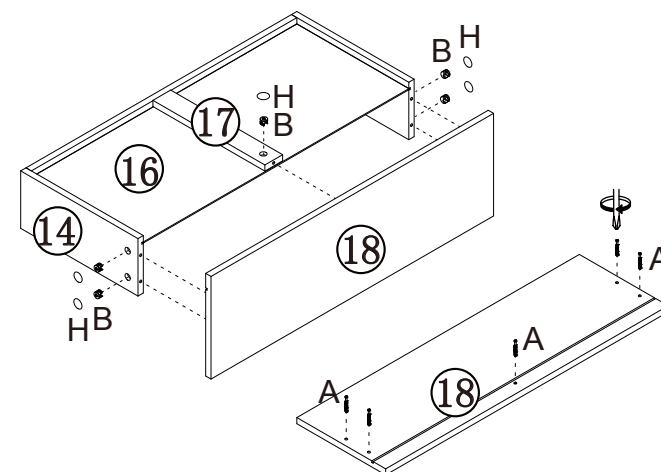
11



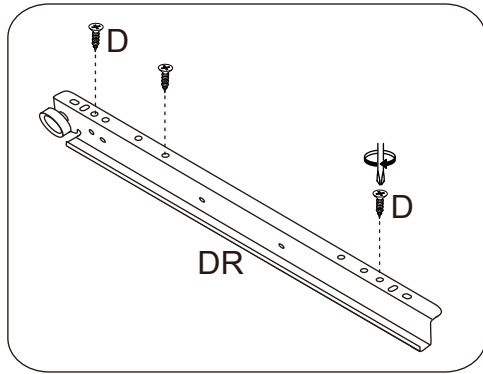
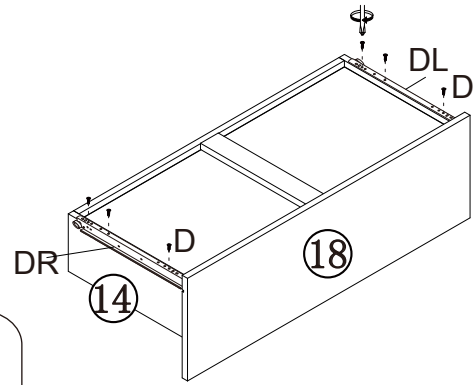
12



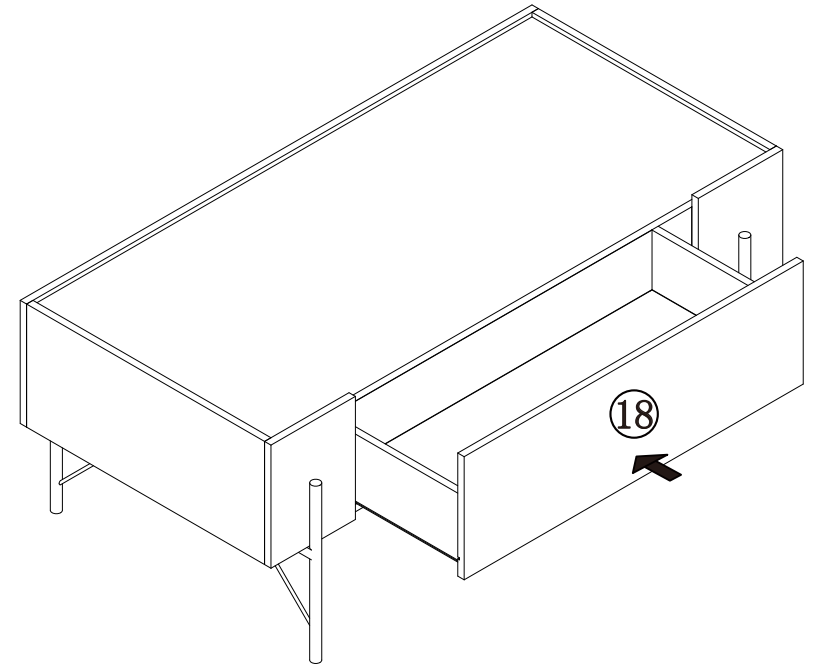
13



14



15



16

