

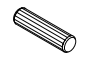




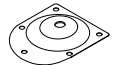

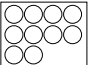
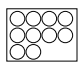
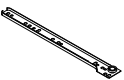

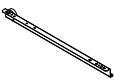
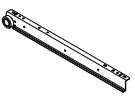
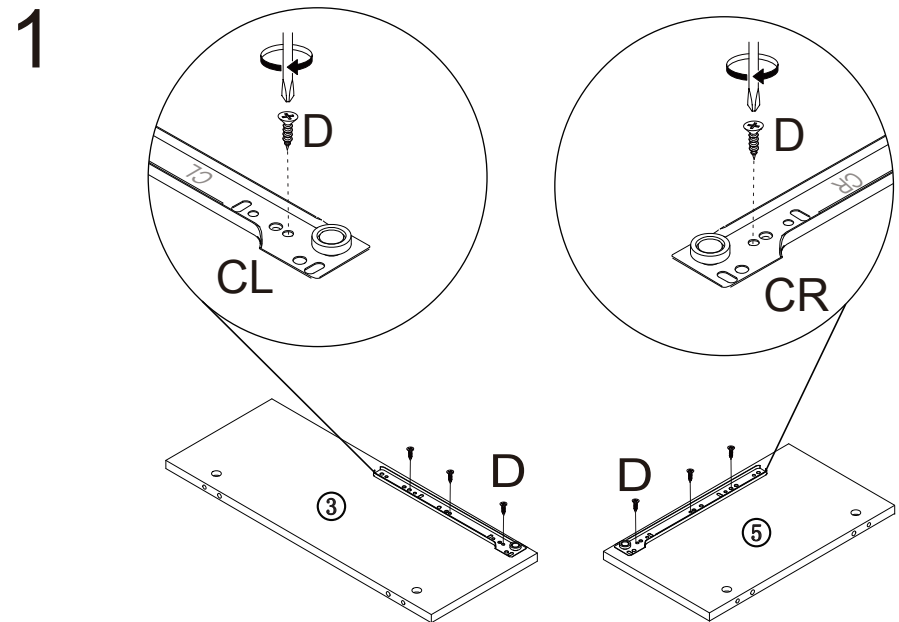
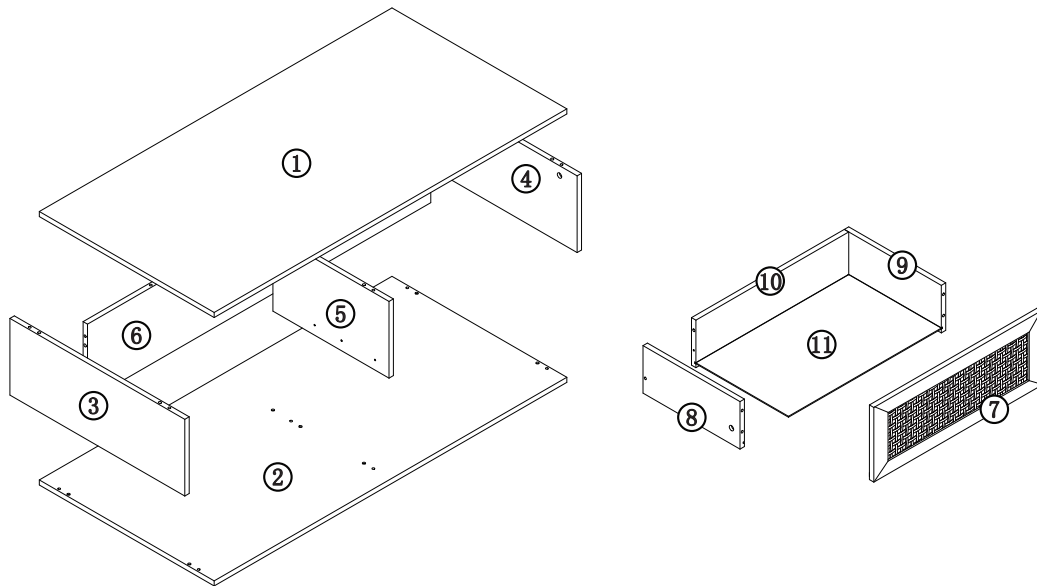
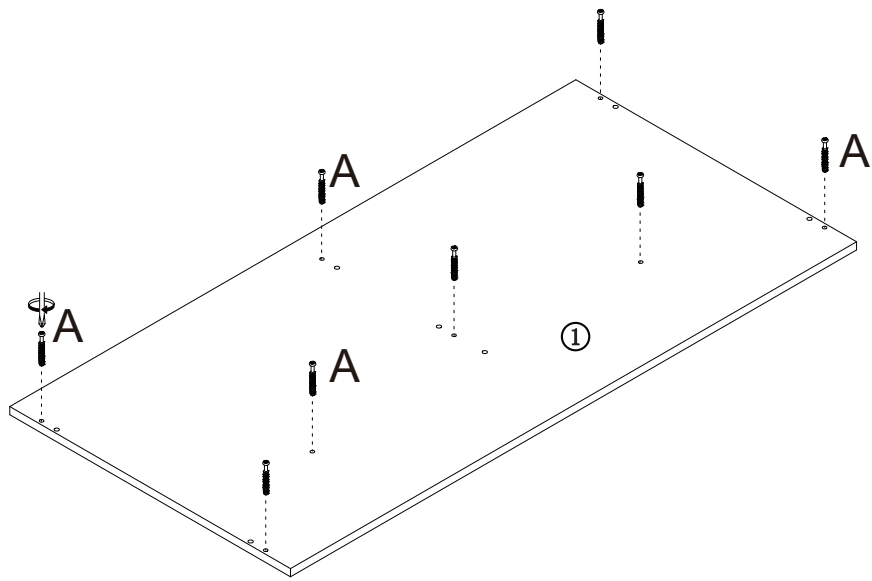


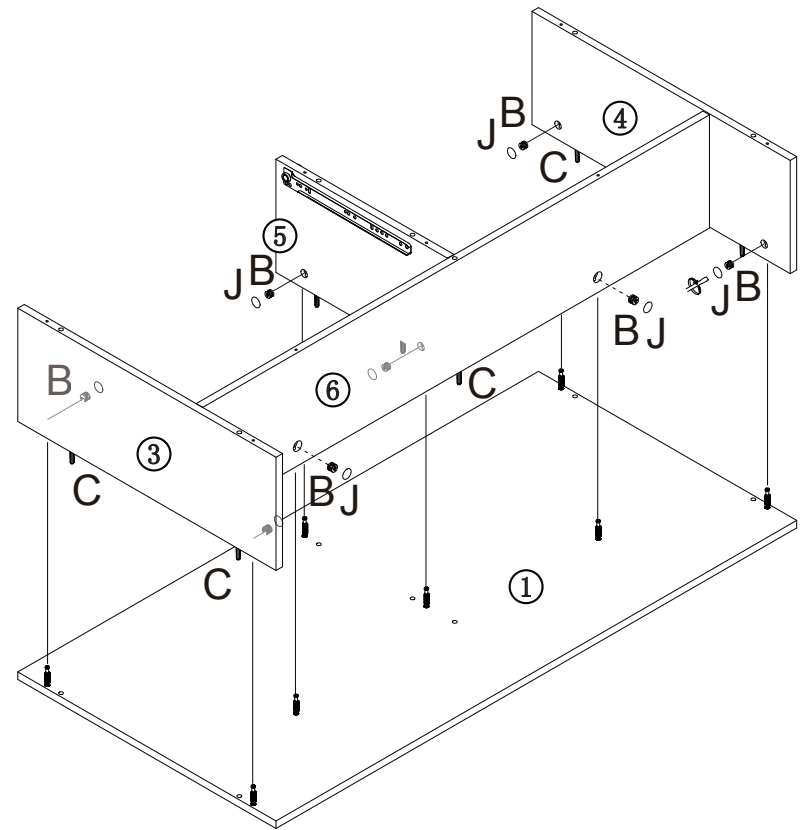
- |   |   |   |   |   |
|---|---|---|---|---|
|  |  |  |  |  |
| A × 10  | B × 10  | C × 18  | D × 12  | E × 20  |
|  |  |  |  |  |
| F × 10  | G × 4   | H × 4   | I × 1   | J × 1   |
|  |  |  |  |  |
| K × 1   | CL × 1  | CR × 1  | DL × 1  | DR × 1  |



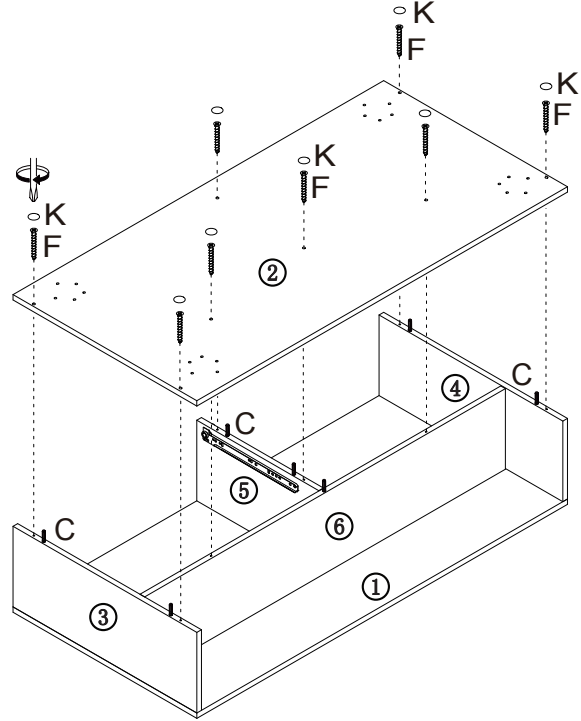
2



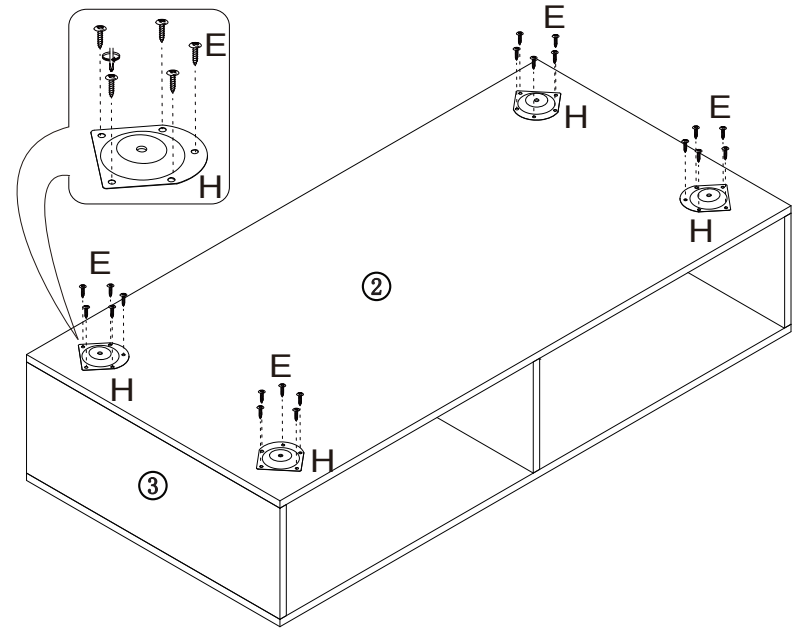
3



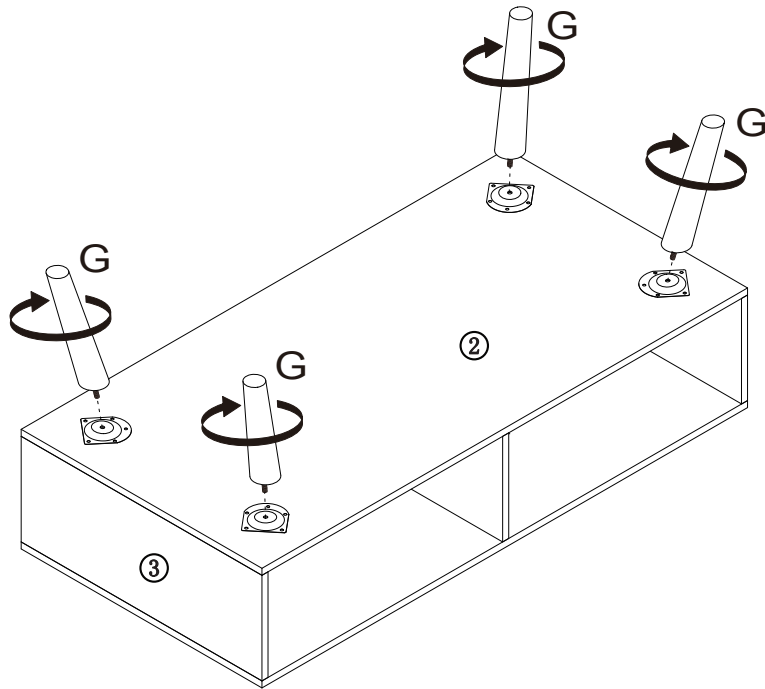
4



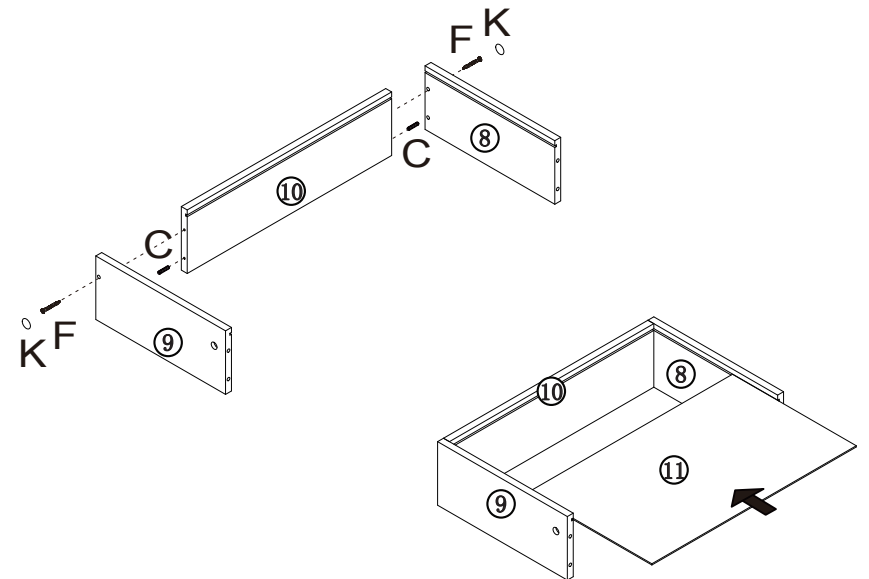
5



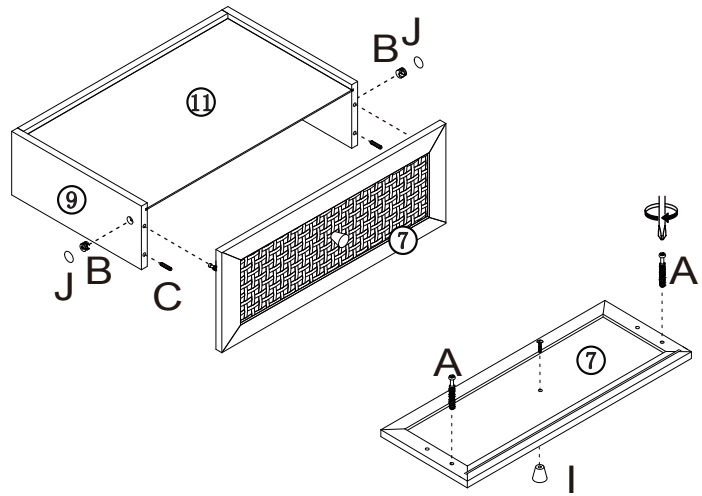
6



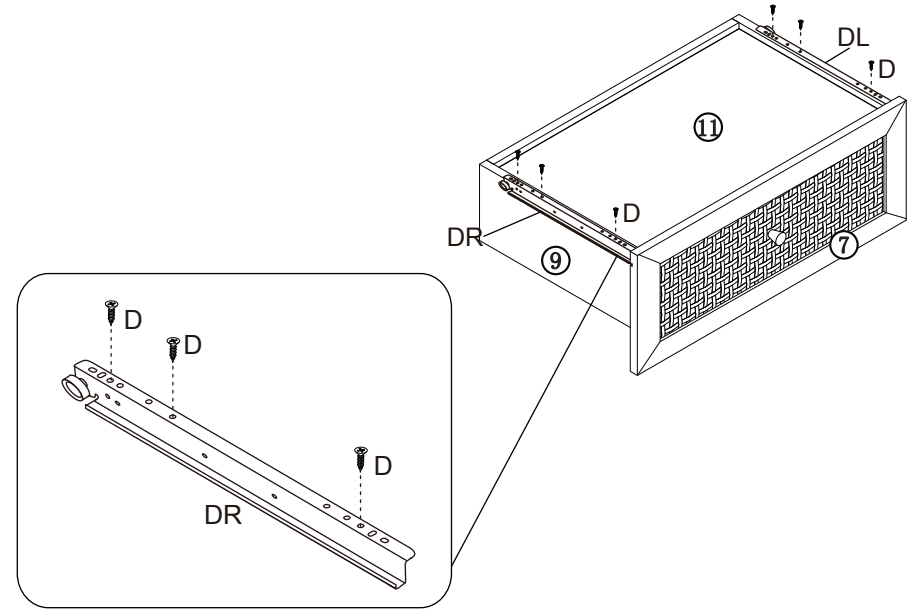
7



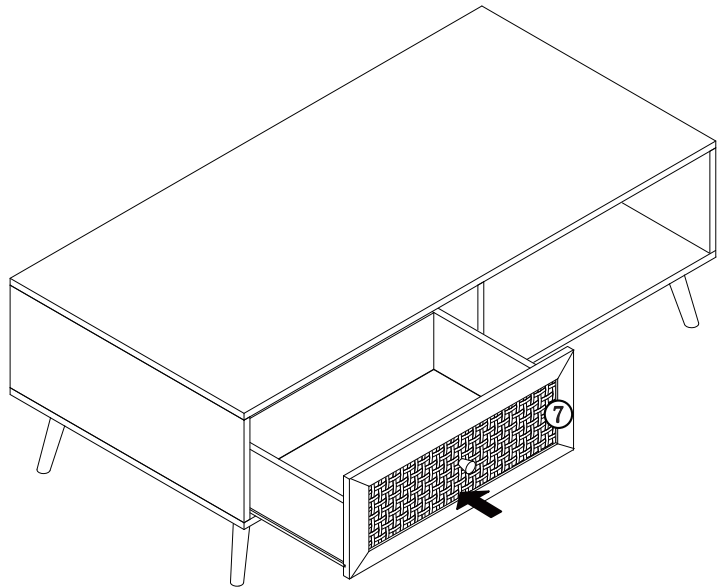
8



9



10



11

