

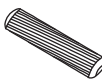





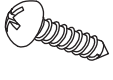

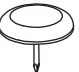
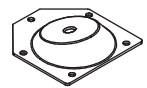
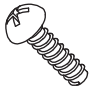

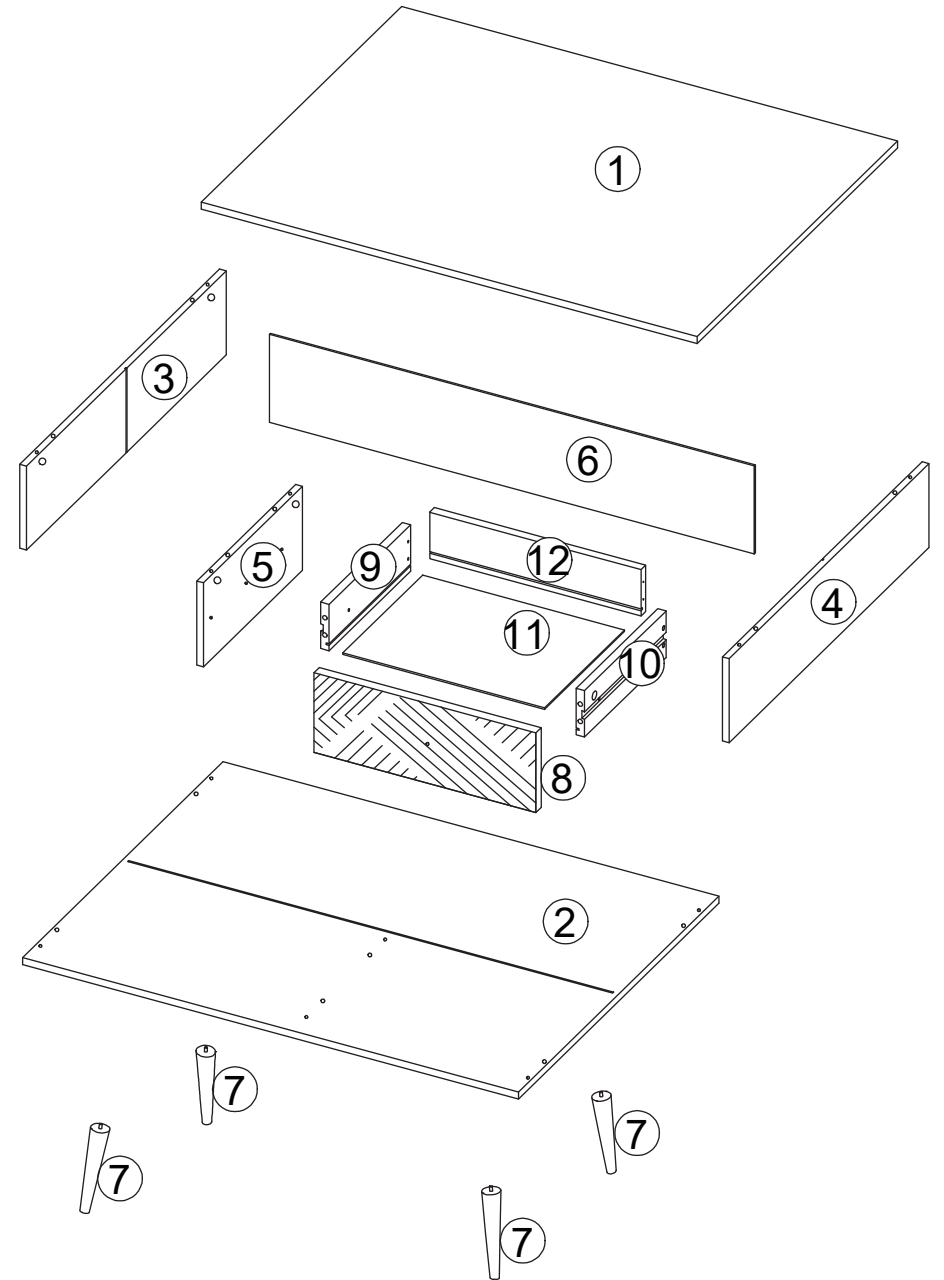
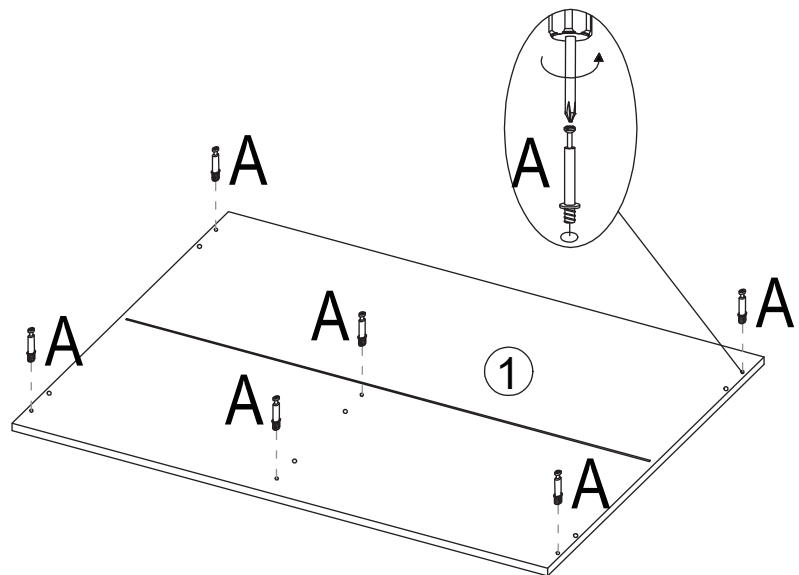



A	x8	B	x6	C	x14	D	x10	E	x12
									
						4x40mm			
F	x2	G	x1	H	x6	I	x20	J	x2
									
				3x12mm		4x14mm			
K	x4	L	x4	M	x2	P	x2		
									
				4x20mm					

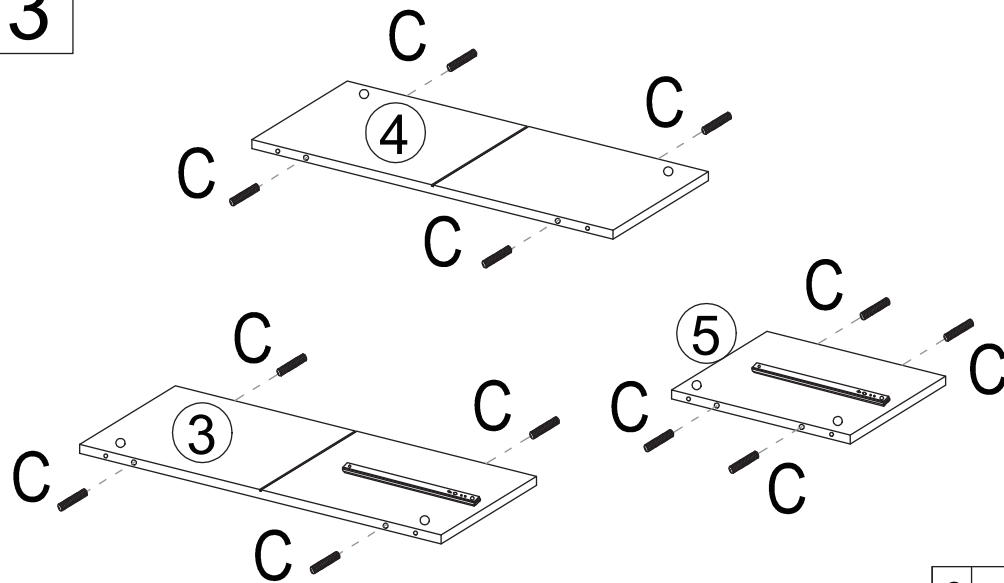


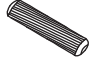
1



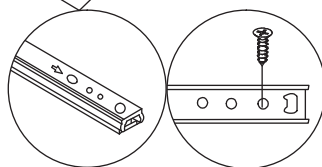
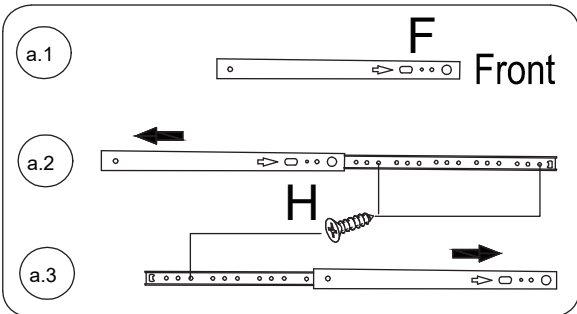
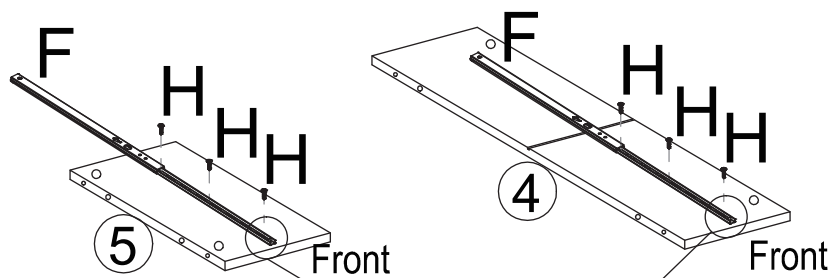
A	x6
	



3



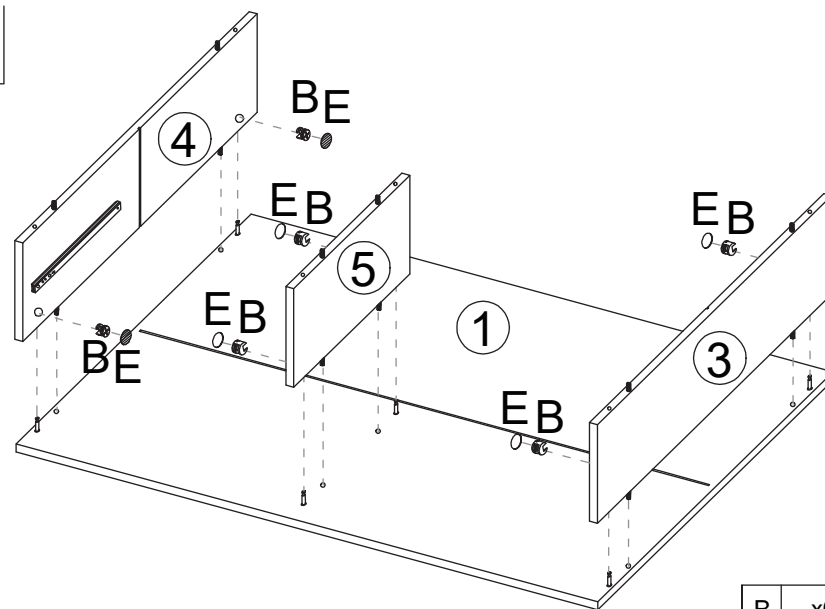
C	x12
	



2



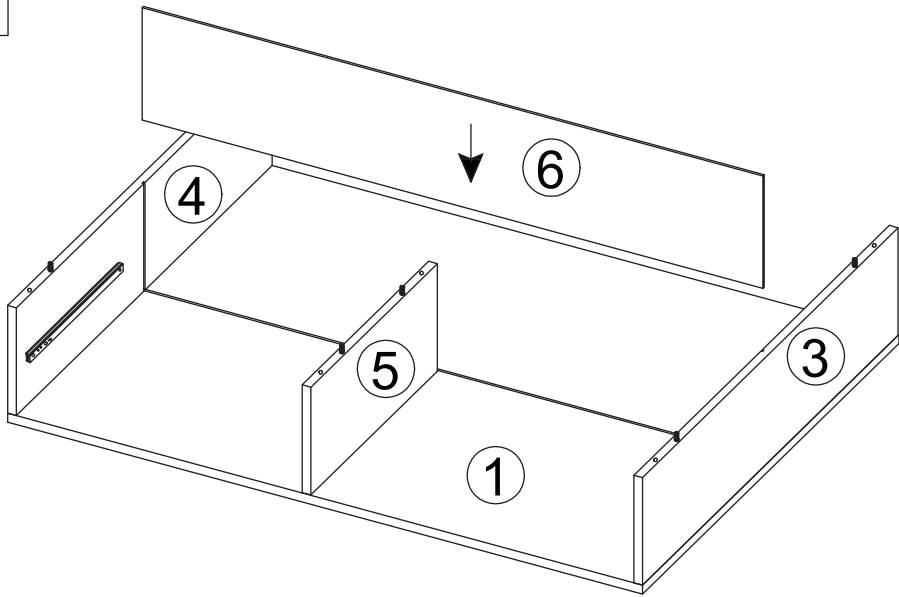
F	x2	H	x6
			
3x12mm			

4

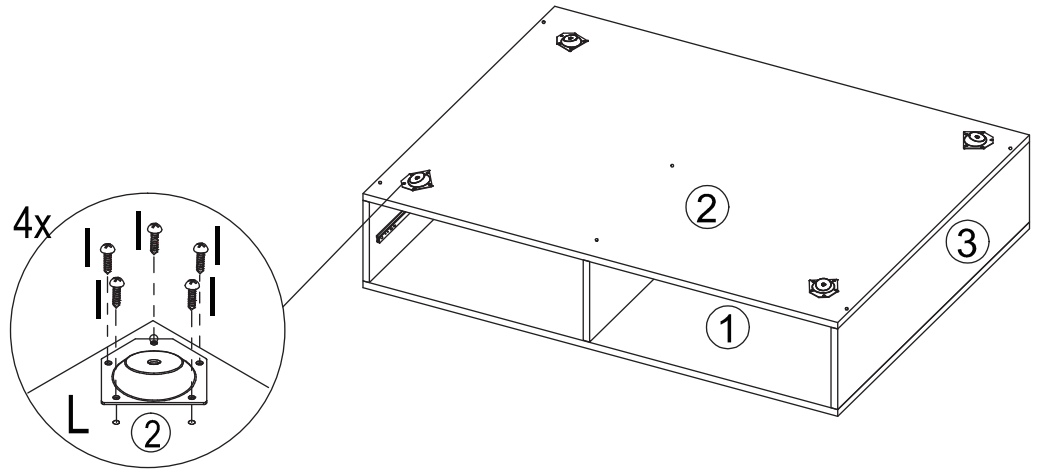




B	x6	E	x6
			

5

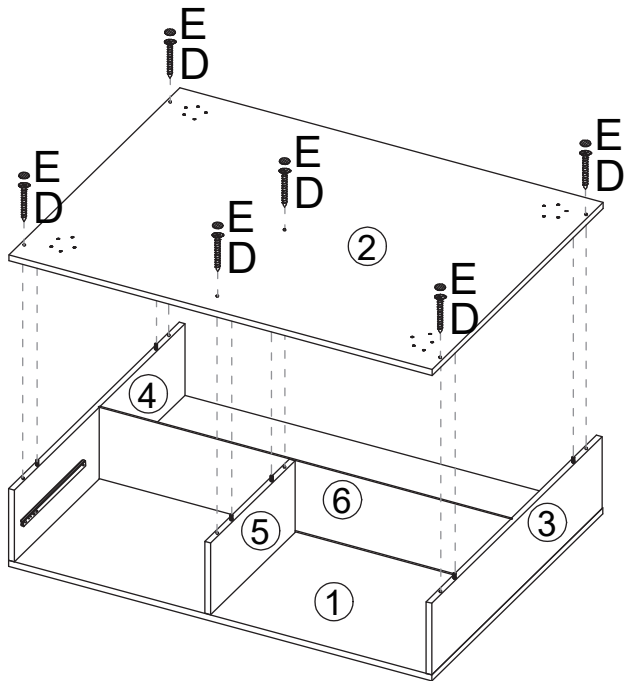




7



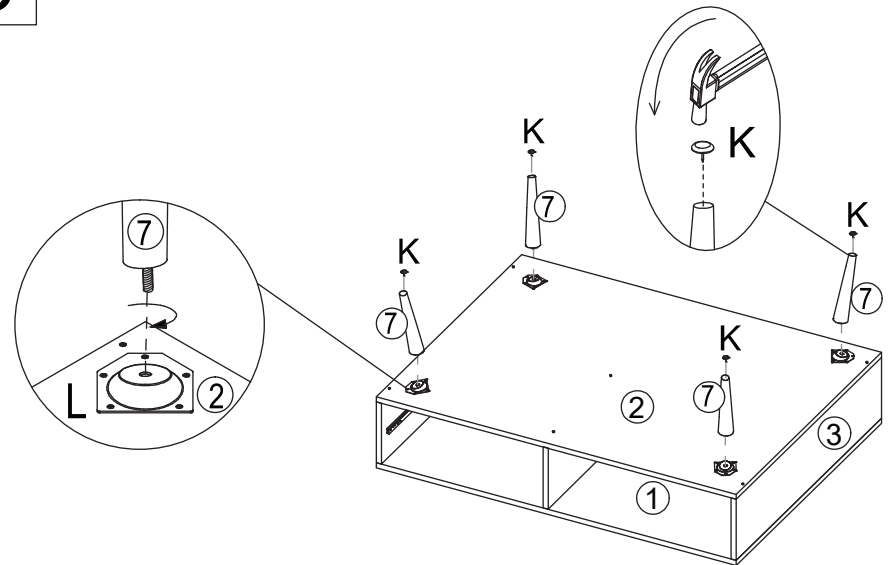
L	x4	I	x20
			
4x14mm			


6



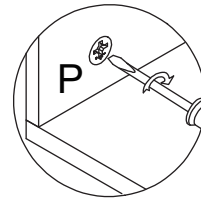
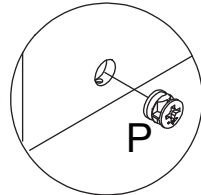
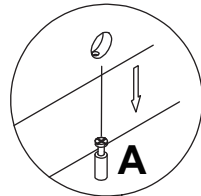
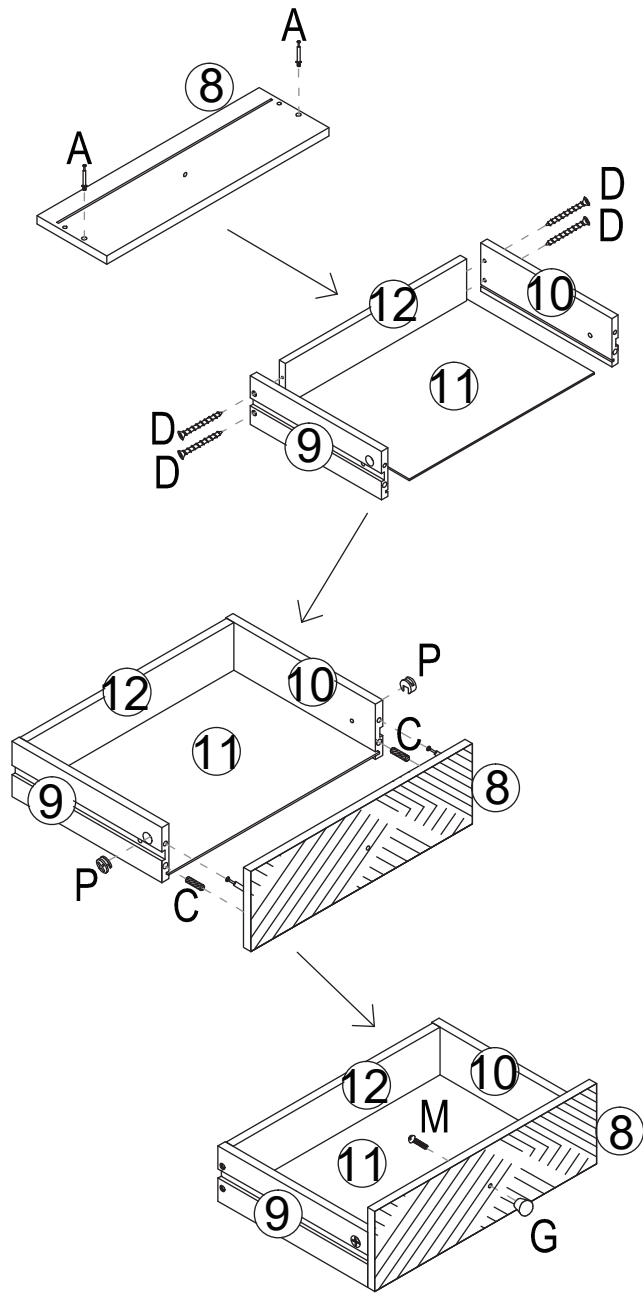
D	x6	E	x6
			
4x40mm			

8



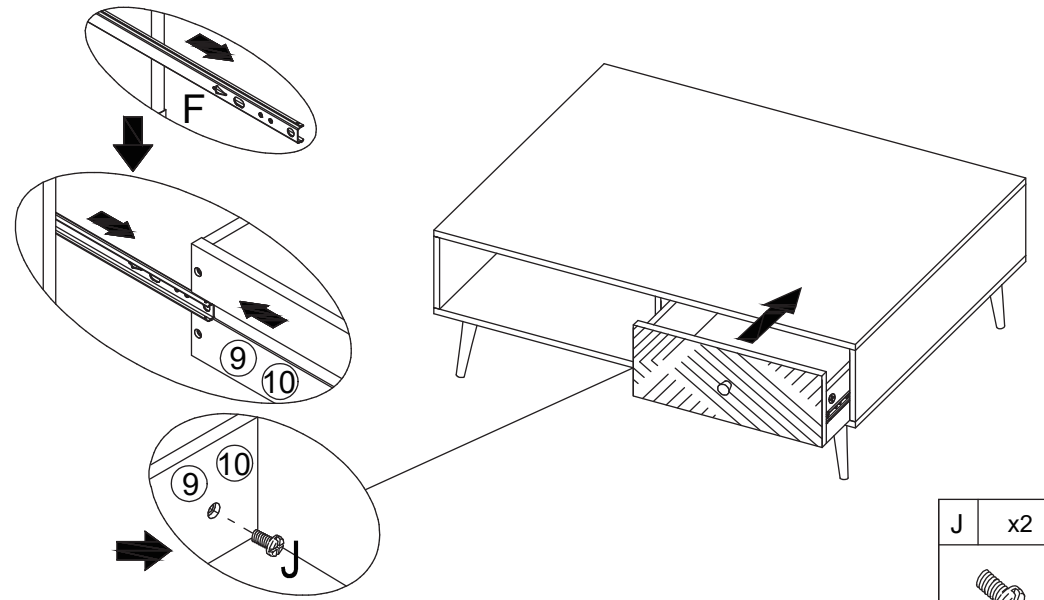
K	x4
	

9



P	x2	A	x2	C	x2	D	x4	M	x2	G	x1
							4x40mm		4x20mm		

10



J	x2

