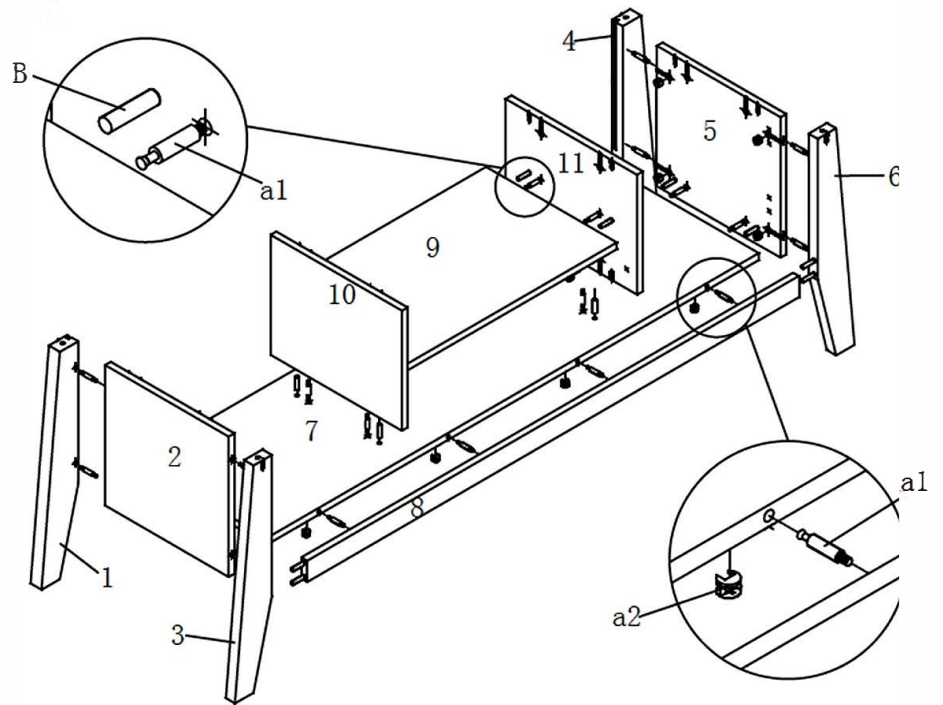
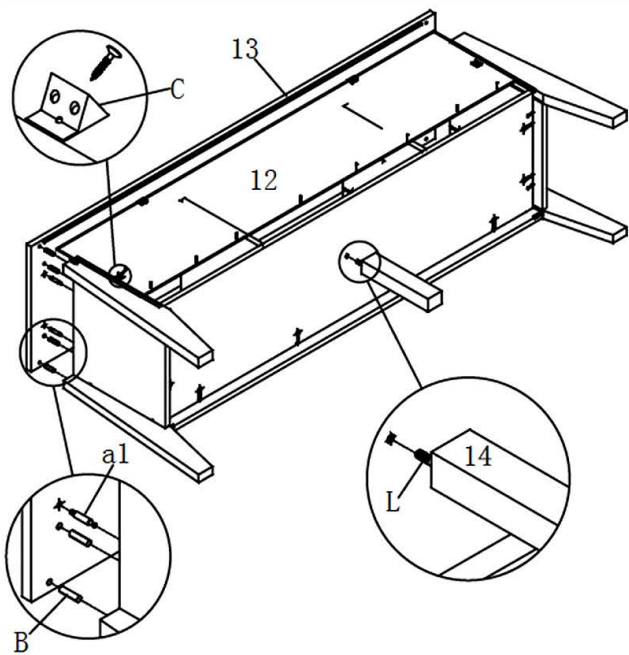


A φ15mm a1 a2 x36	B φ8*30mm x28
C φ3.5X20 x4	D φ3.5X14 x8
E φ3.5X35 x4	F M4X22 x1
G x3	H x30
I x1	J x4
K φ4X16 x24	L x1

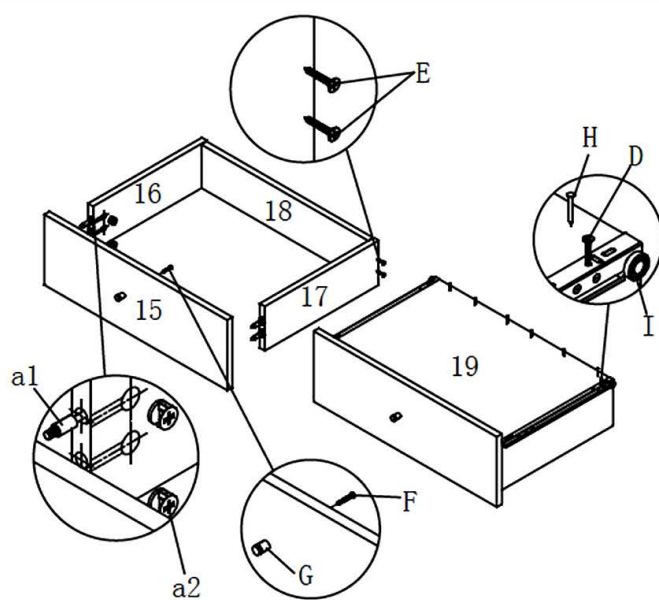
1



2



3



4

