

A × 10



B × 10



C × 20



D × 6



E × 2



F × 10



G × 4



H × 16



I × 2



J × 2



K × 14

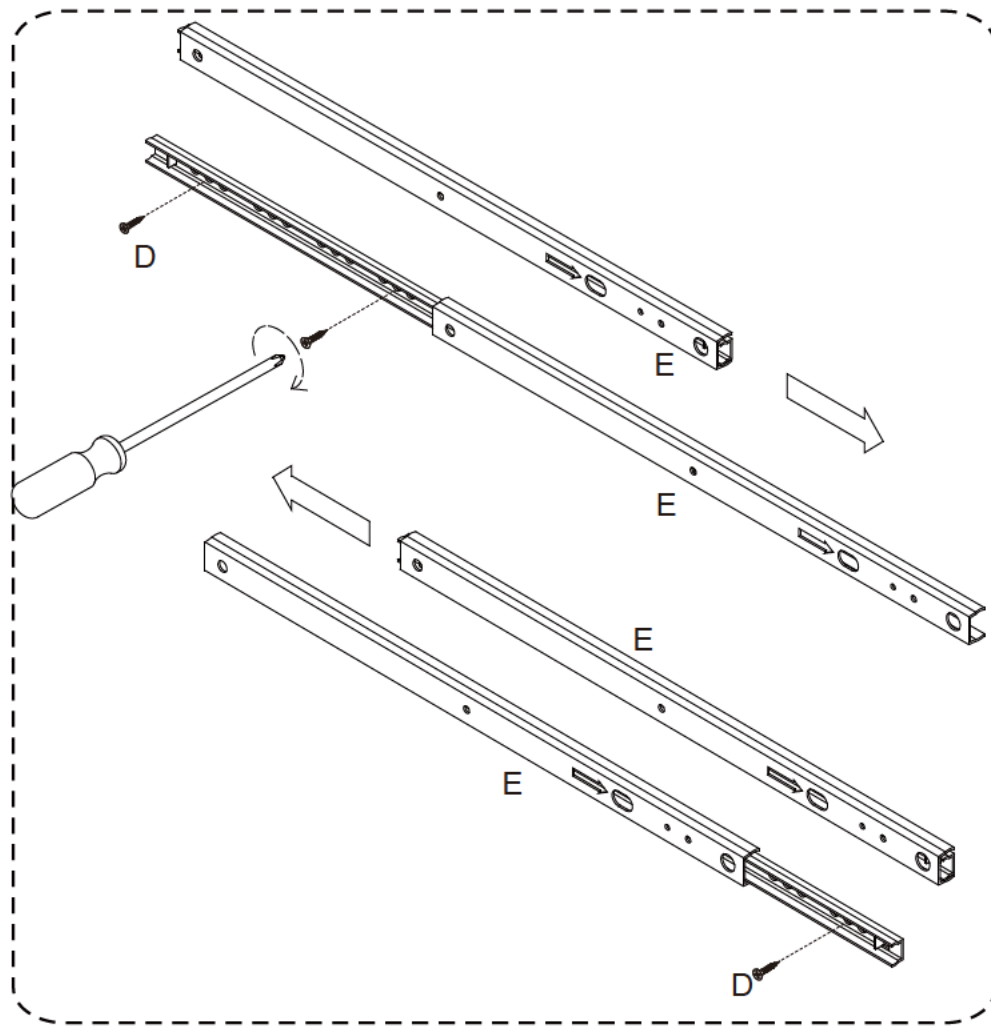
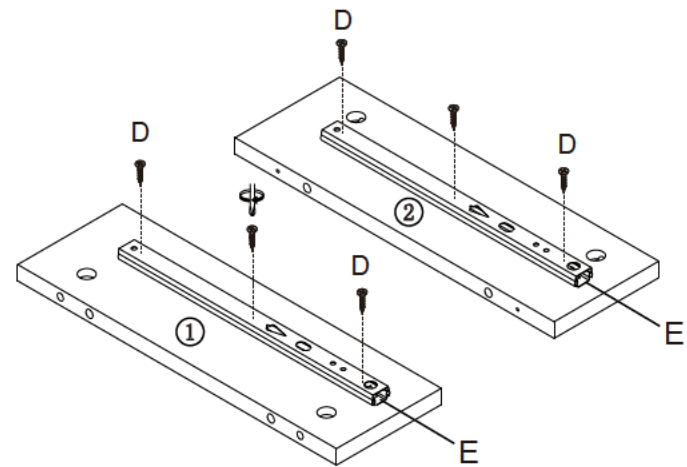


L × 1

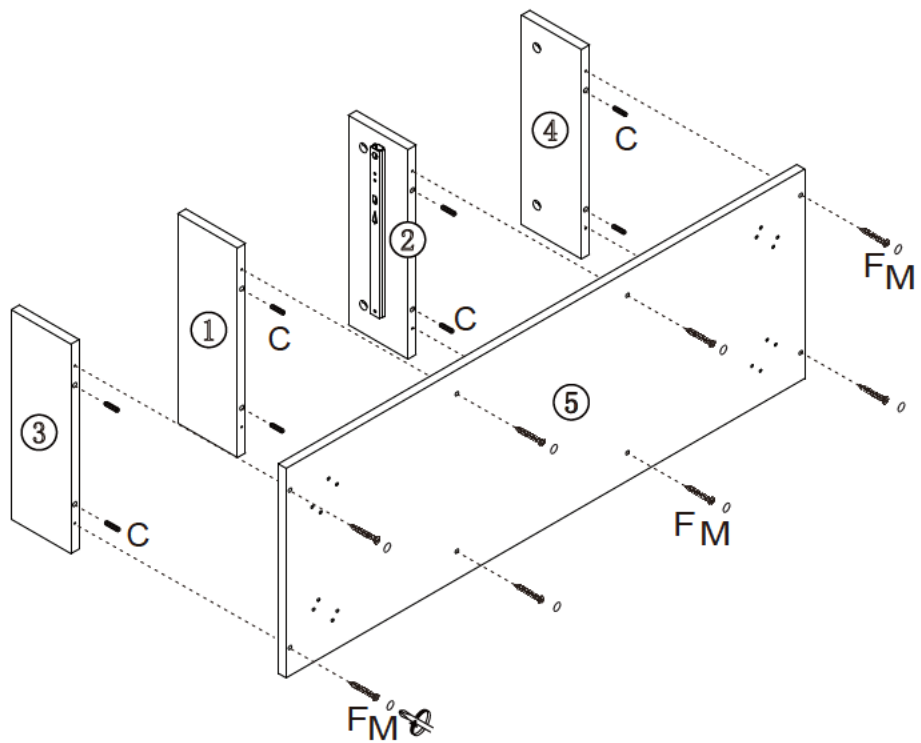


M × 1

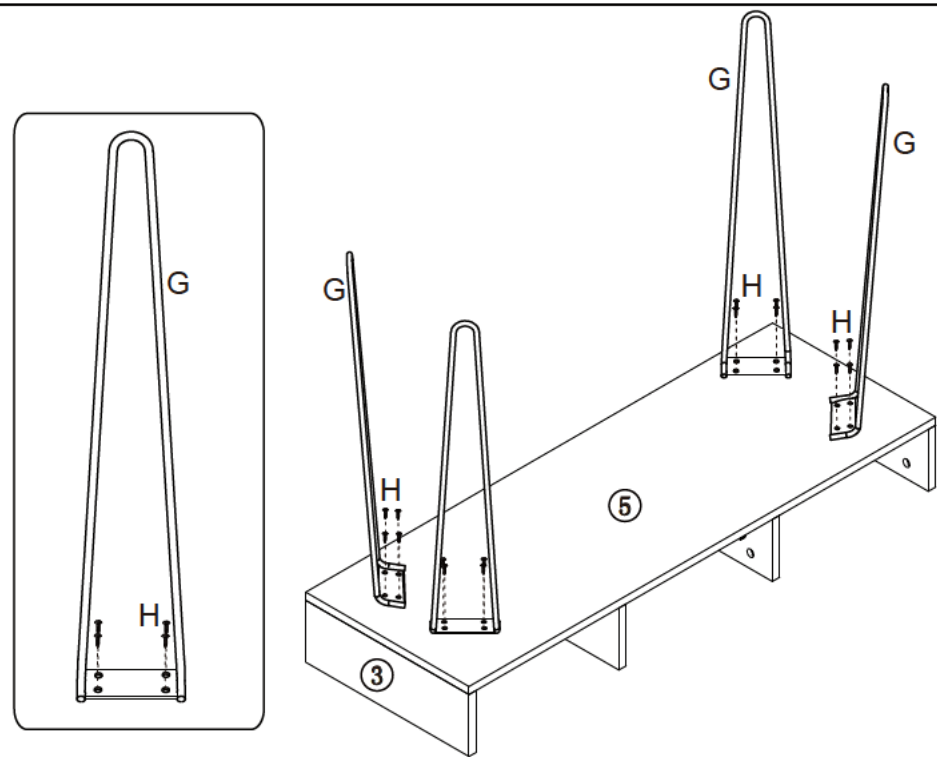
1



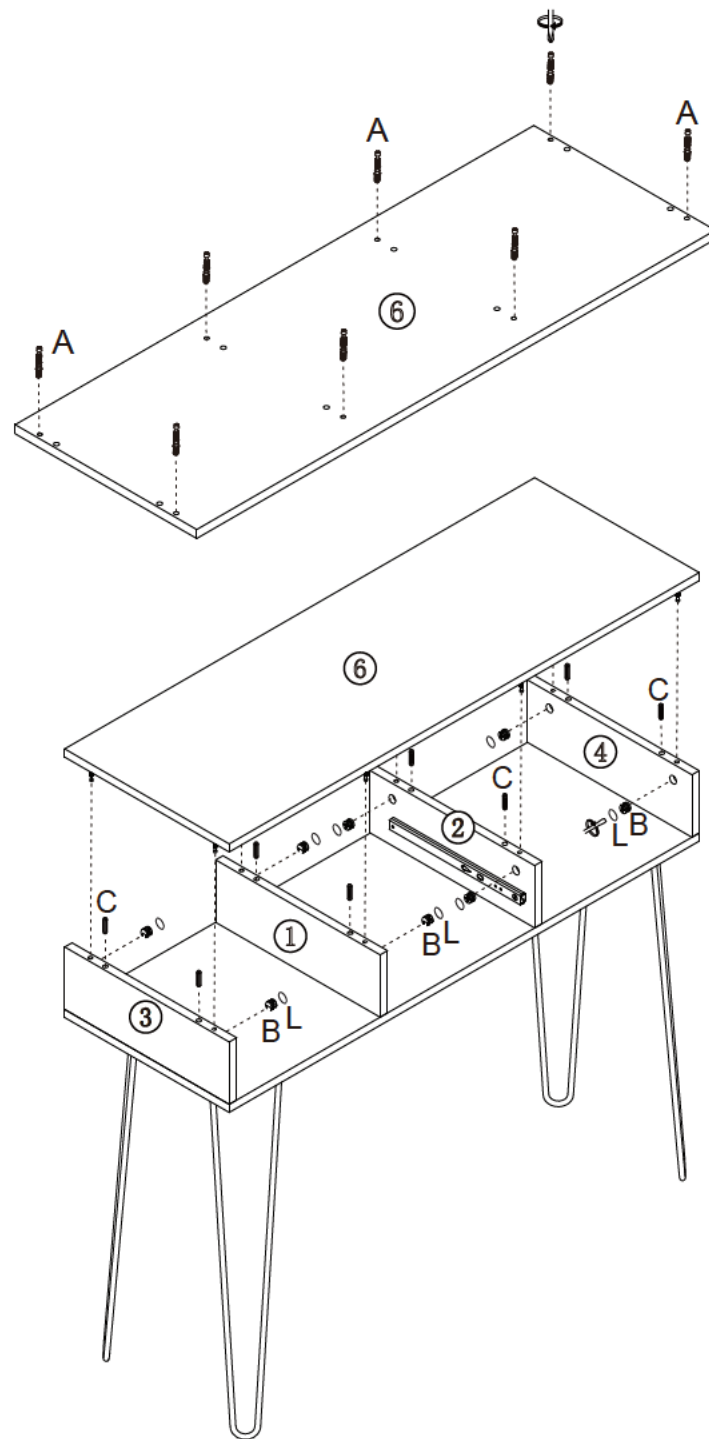
2



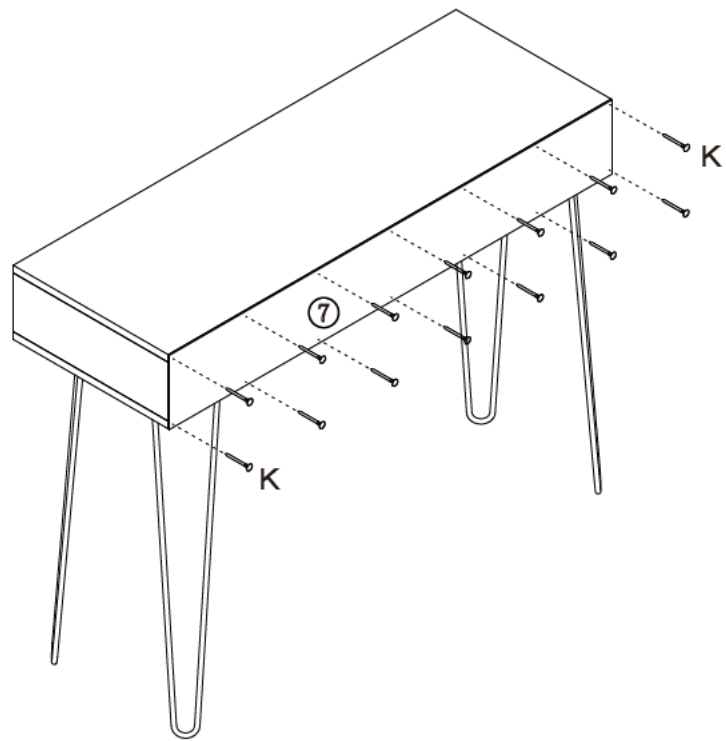
3



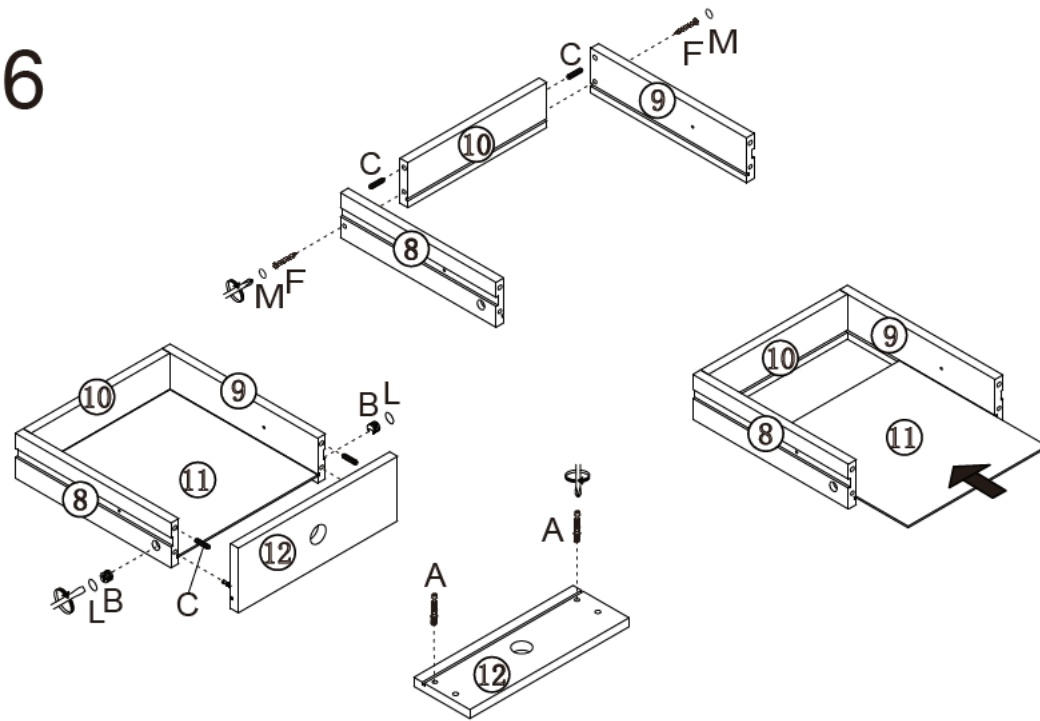
4



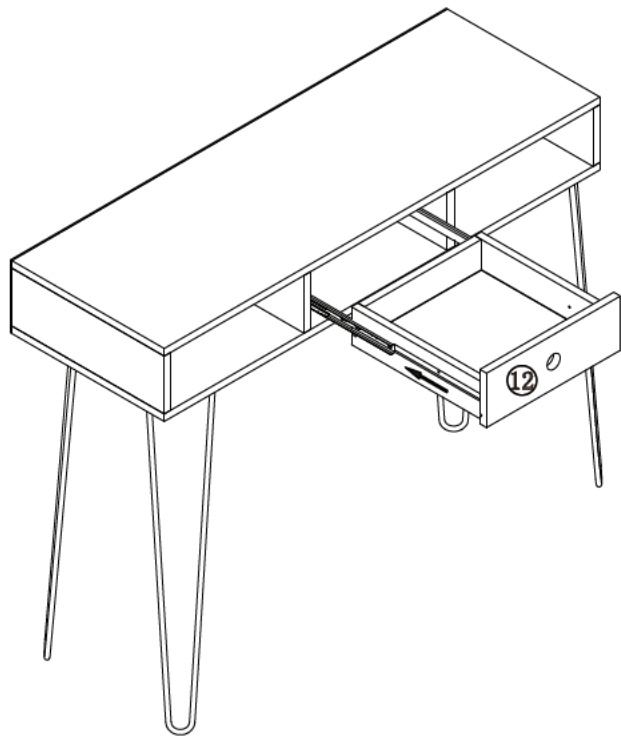
5



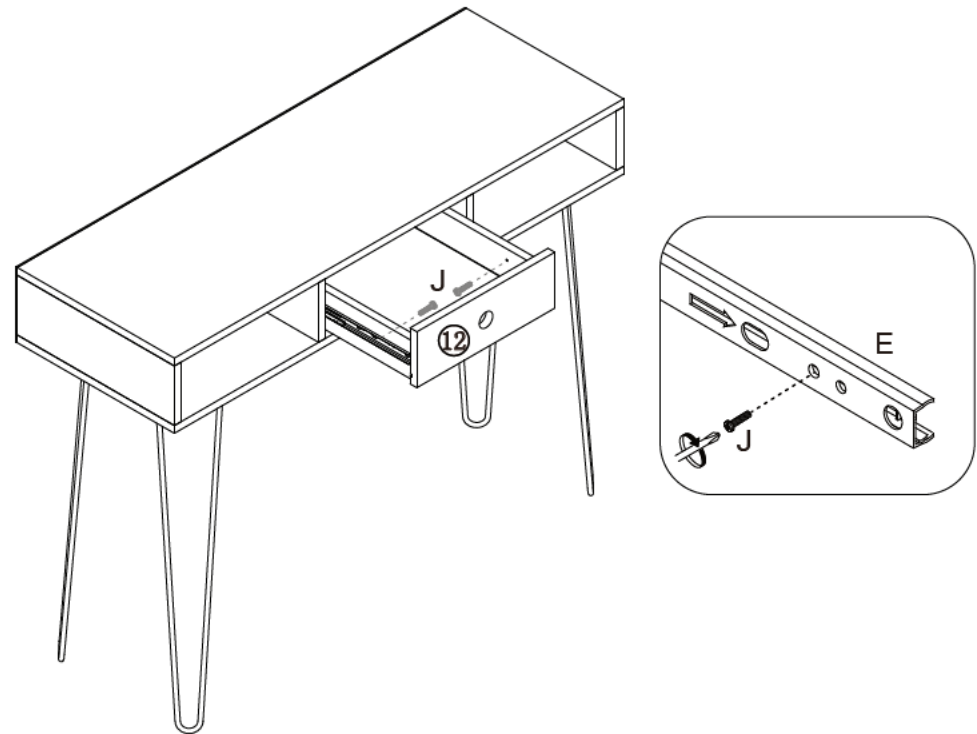
6



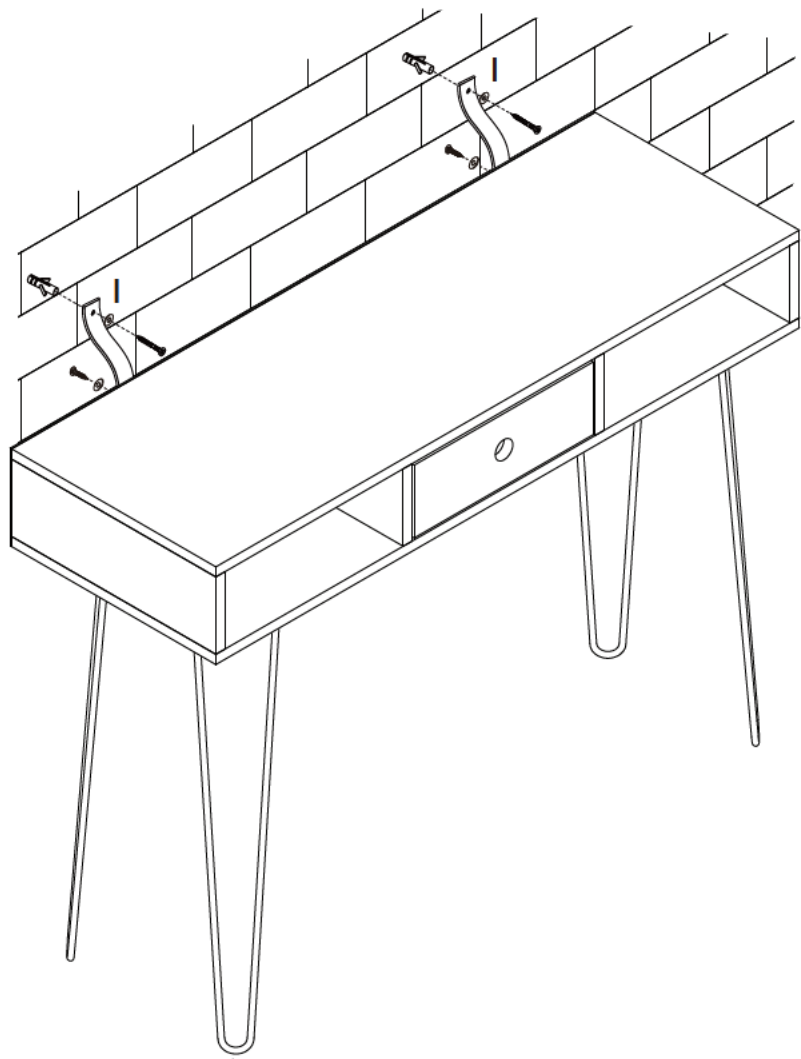
7



8



9



10

