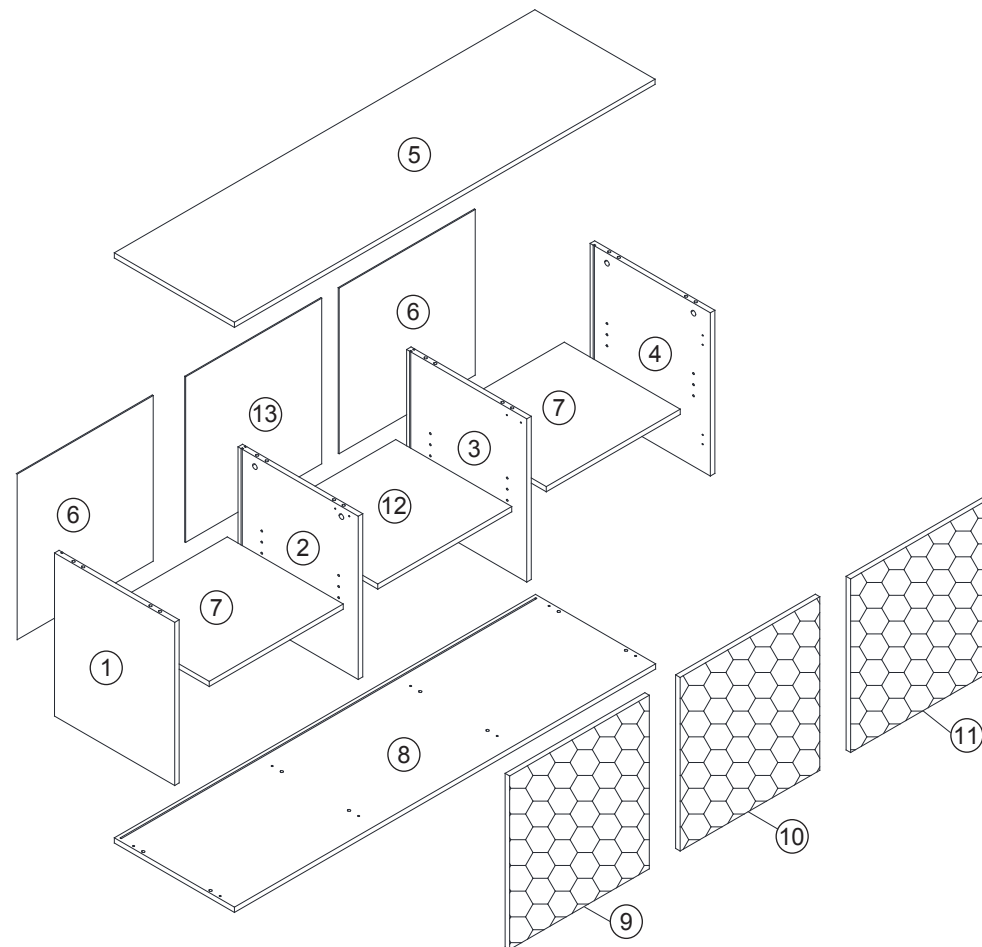
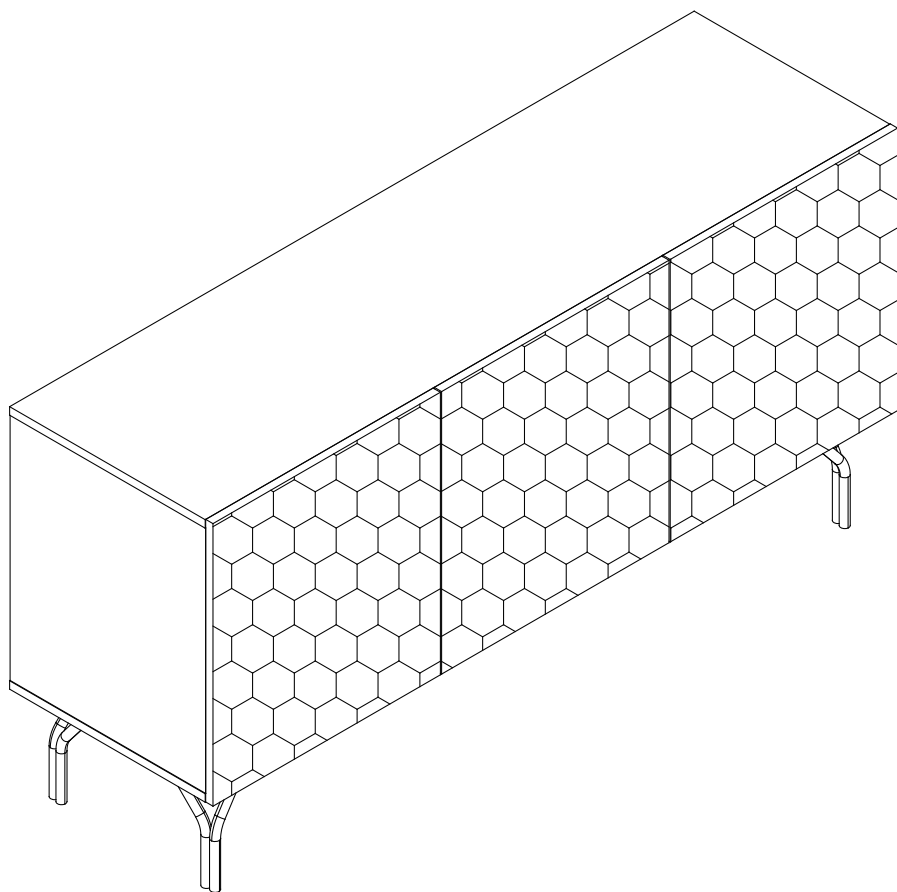





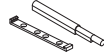
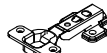











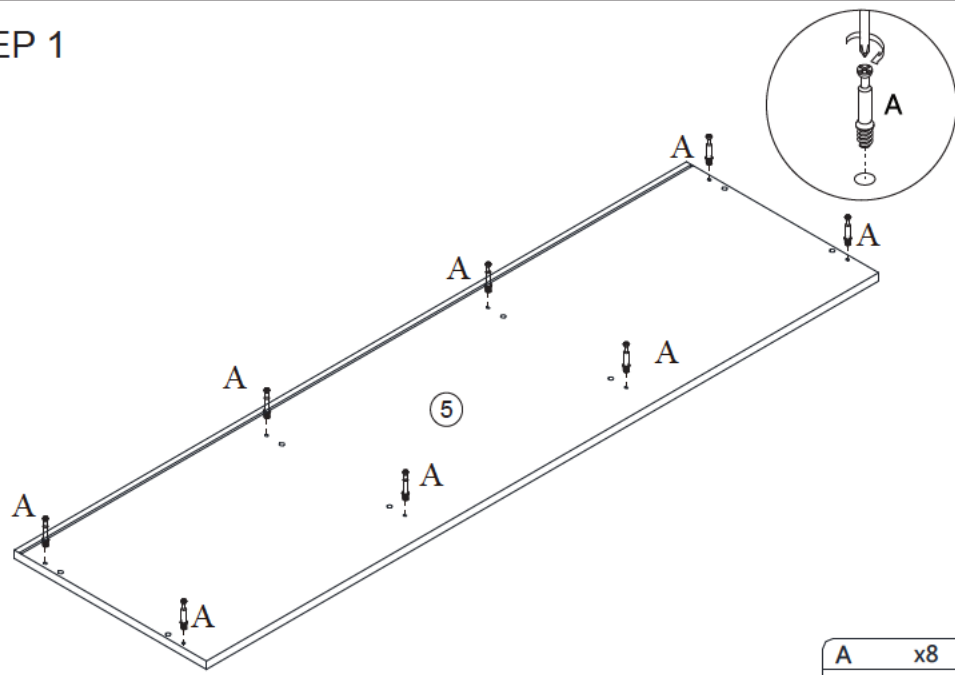


# ASSEMBLY INSTRUCTION



 A x 8	 B x 8	 C x 16	 D x 10 ø4 x 40	 E x 9 ø3x 12	 F x 3
 G x 6	 H x 4	 I x 24 ø4x 14	 J x 12	 K x 12	 L x 12 ø3x 14
 M x 4	 N x 34 ø4x 12	 O x 3	 P x 2	 Q x 2	 R x 2

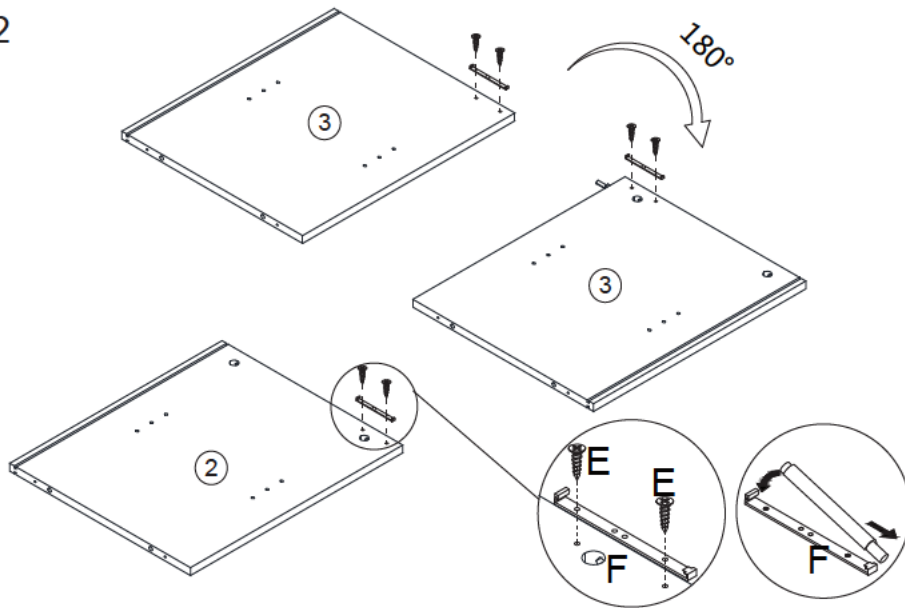
### STEP 1



A x8



### STEP 2



F x3

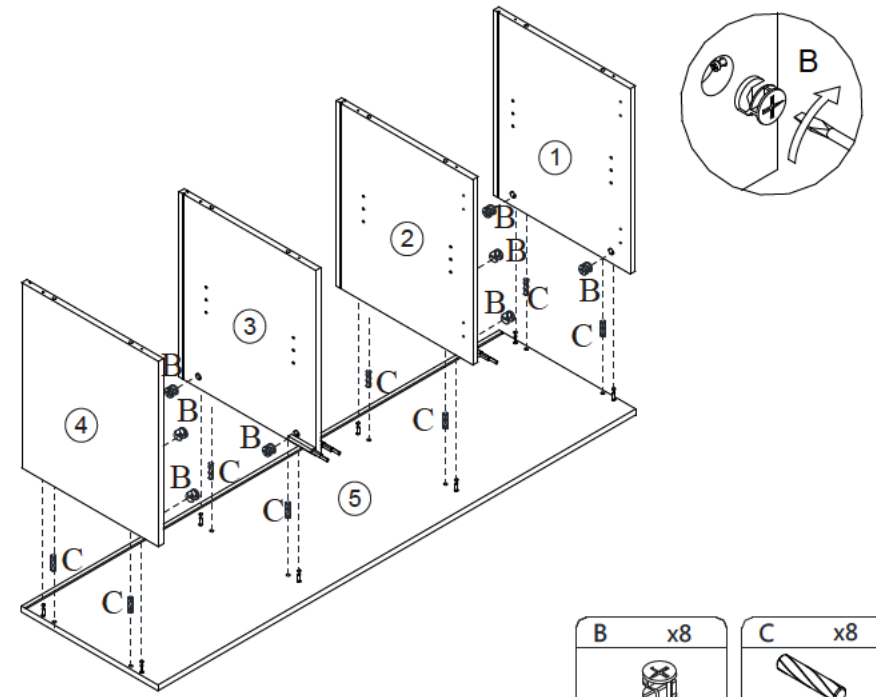


E x6



3x12mm

### STEP 3



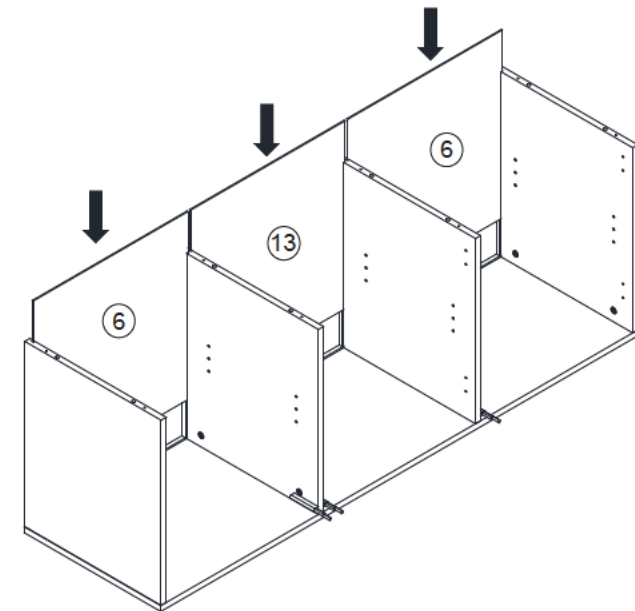
B x8



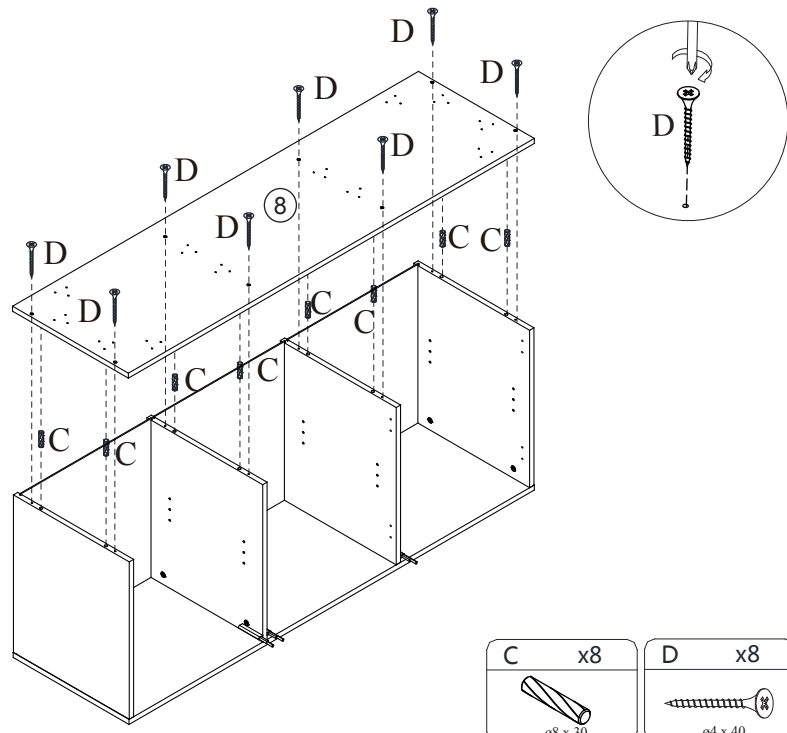
C x8

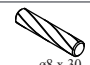
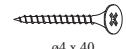


### STEP 4

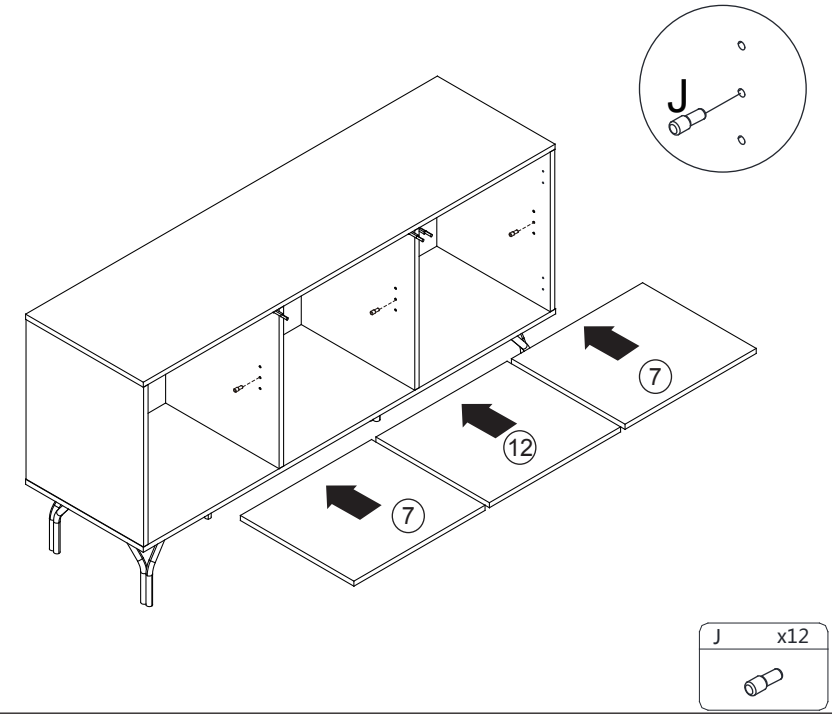



### STEP 5



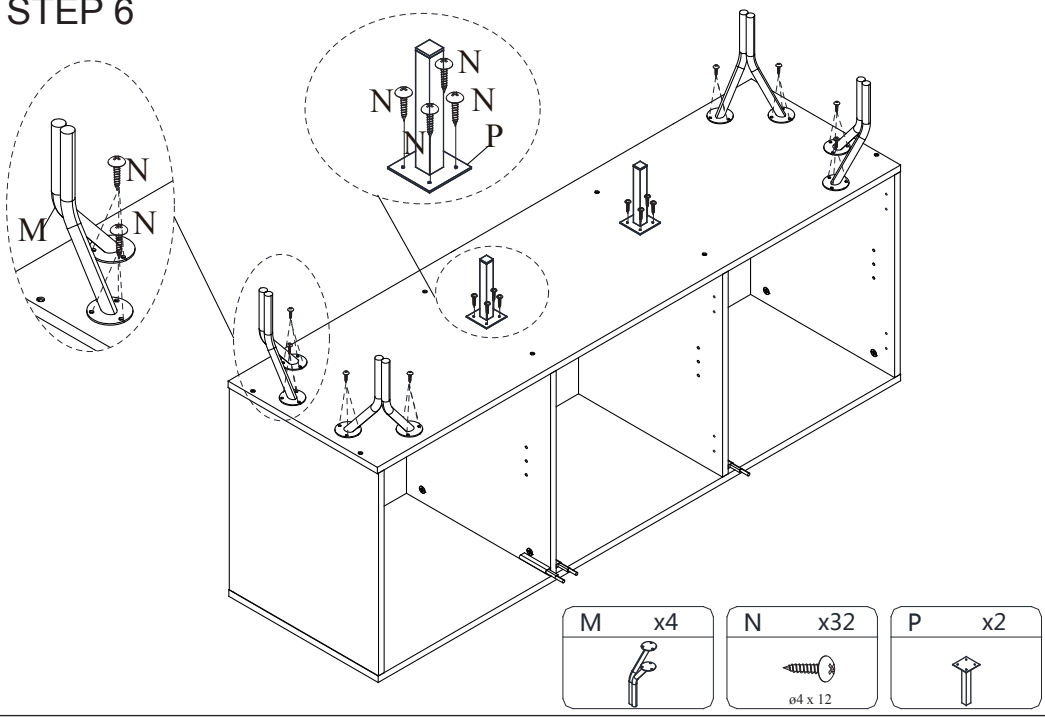
C	x8	D	x8
			
ø8 x 30		ø4 x 40	


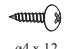

### STEP 7



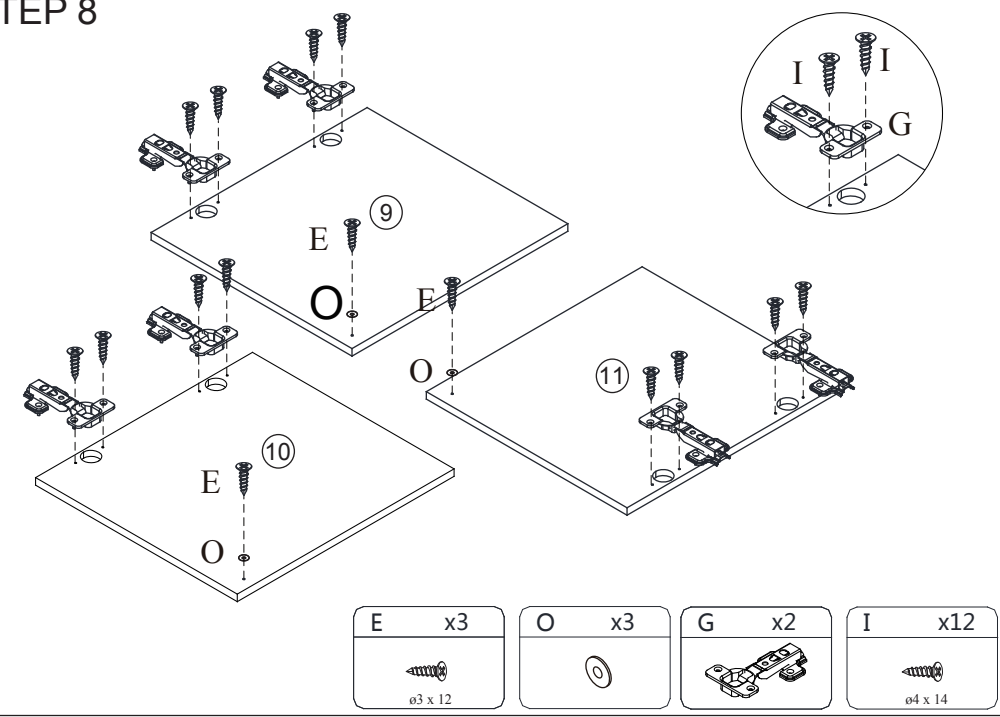
J	x12
	

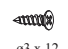

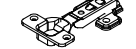

### STEP 6



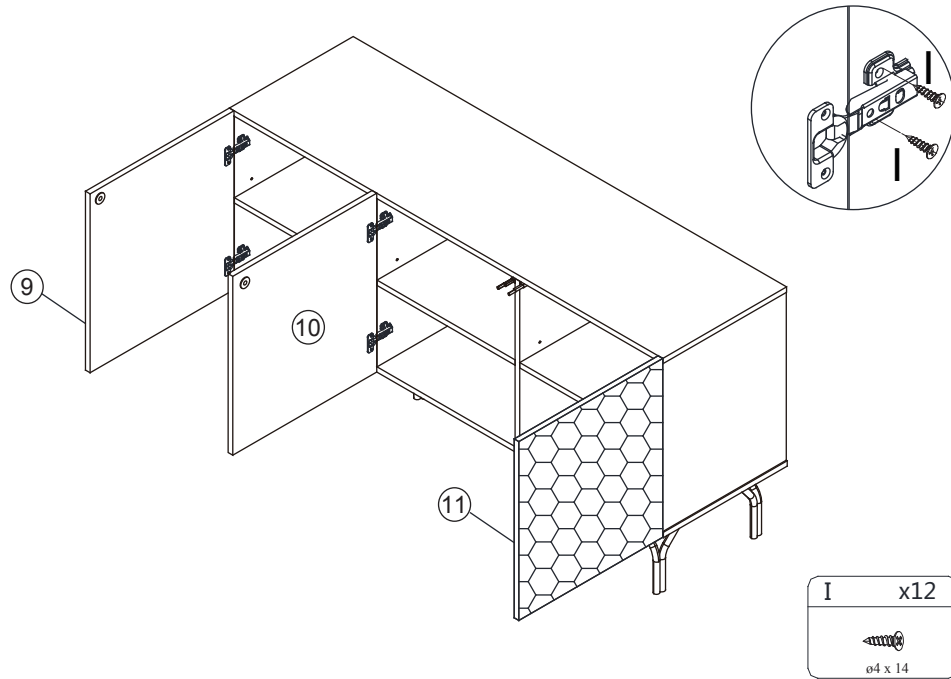
M	x4	N	x32	P	x2
					
		ø4 x 12			

### STEP 8

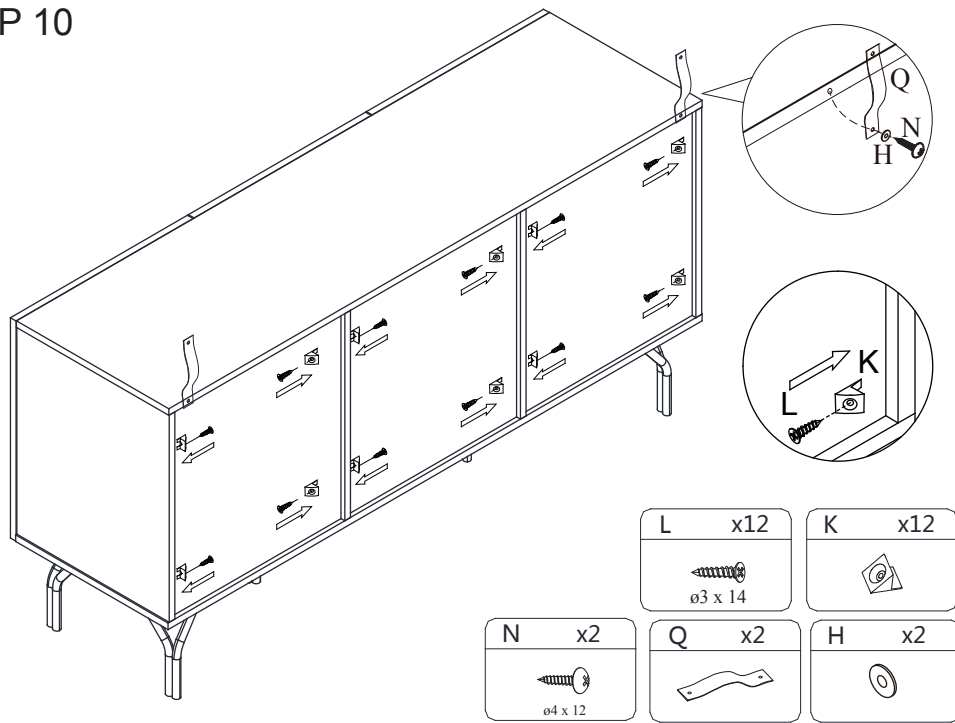


E	x3	O	x3	G	x2	I	x12
							
ø3 x 12						ø4 x 14	

### STEP 9



### STEP 10



### STEP 11

