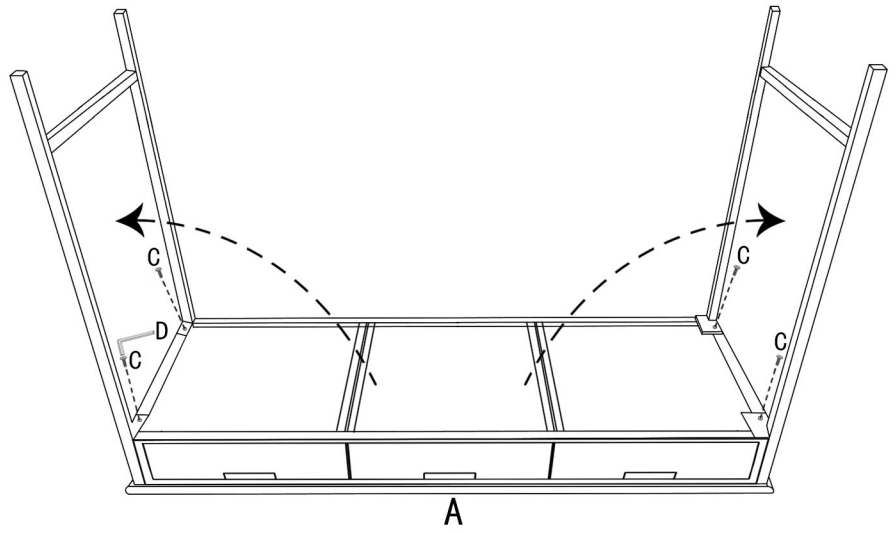
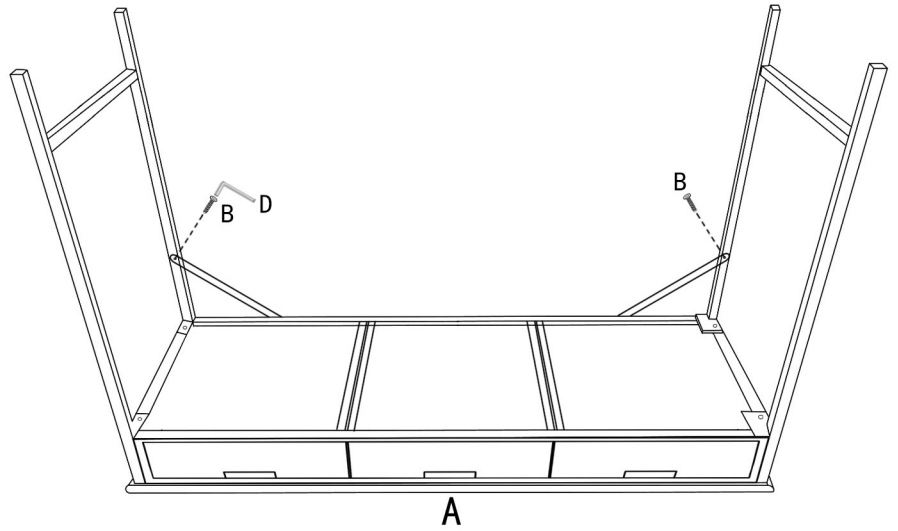


Ax1

1

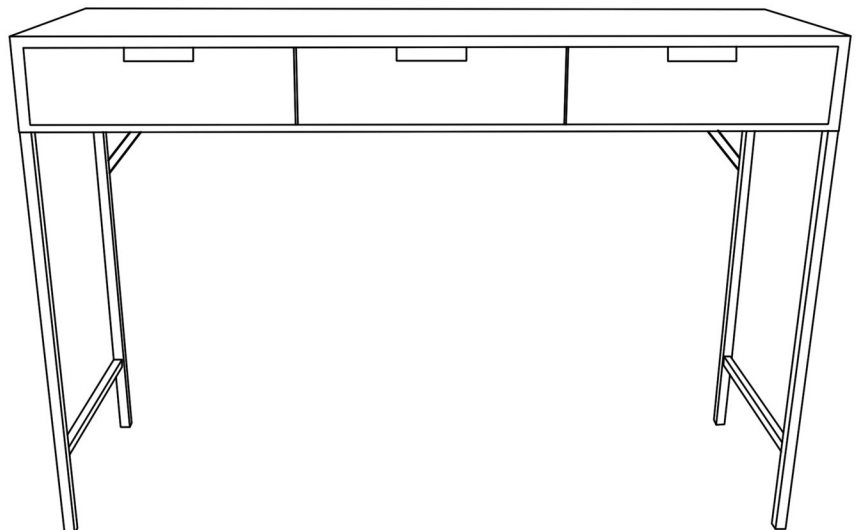


2



Bx2

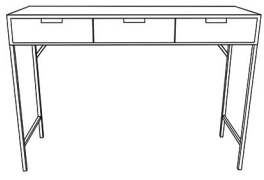

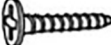
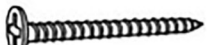

3



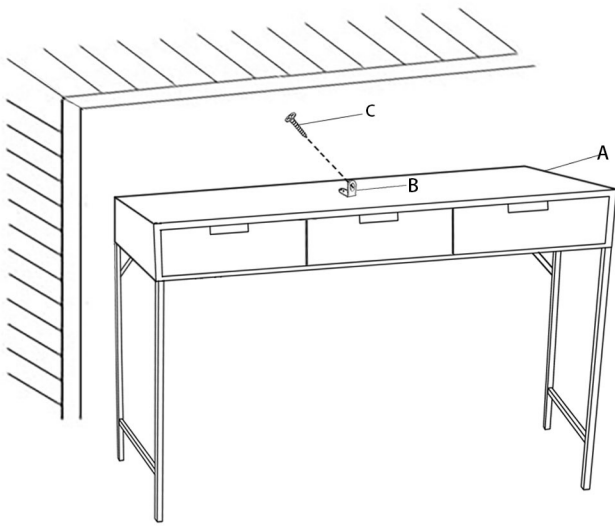
Cx4



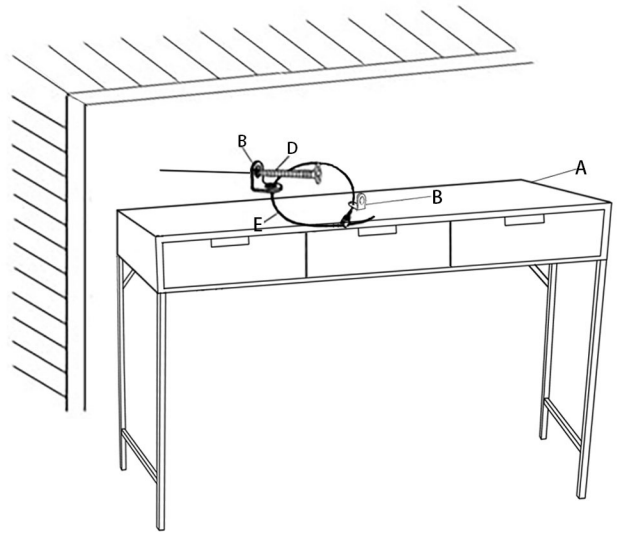
Dx1

A 	B 	C 	D 	E 
	x2	x1	x1	x1

①



②



③

