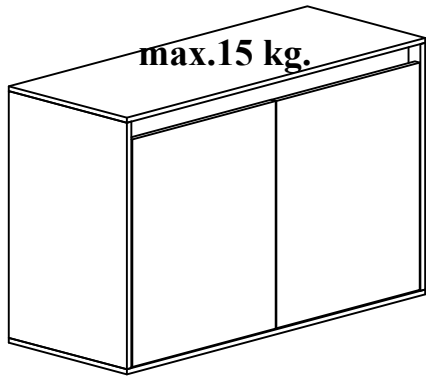
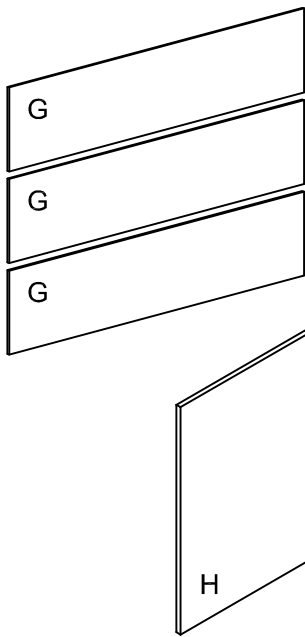
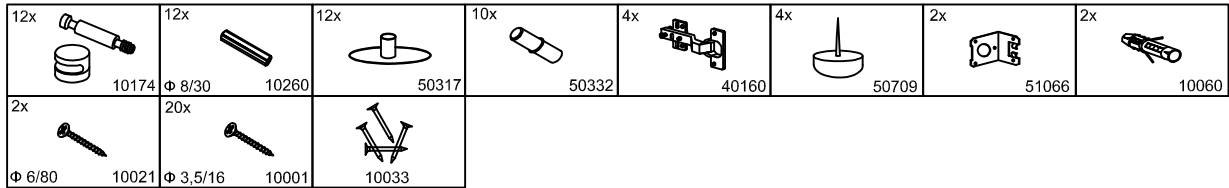


2 ΧΡΟΝΙΑ ΕΓΓΥΗΣΗ

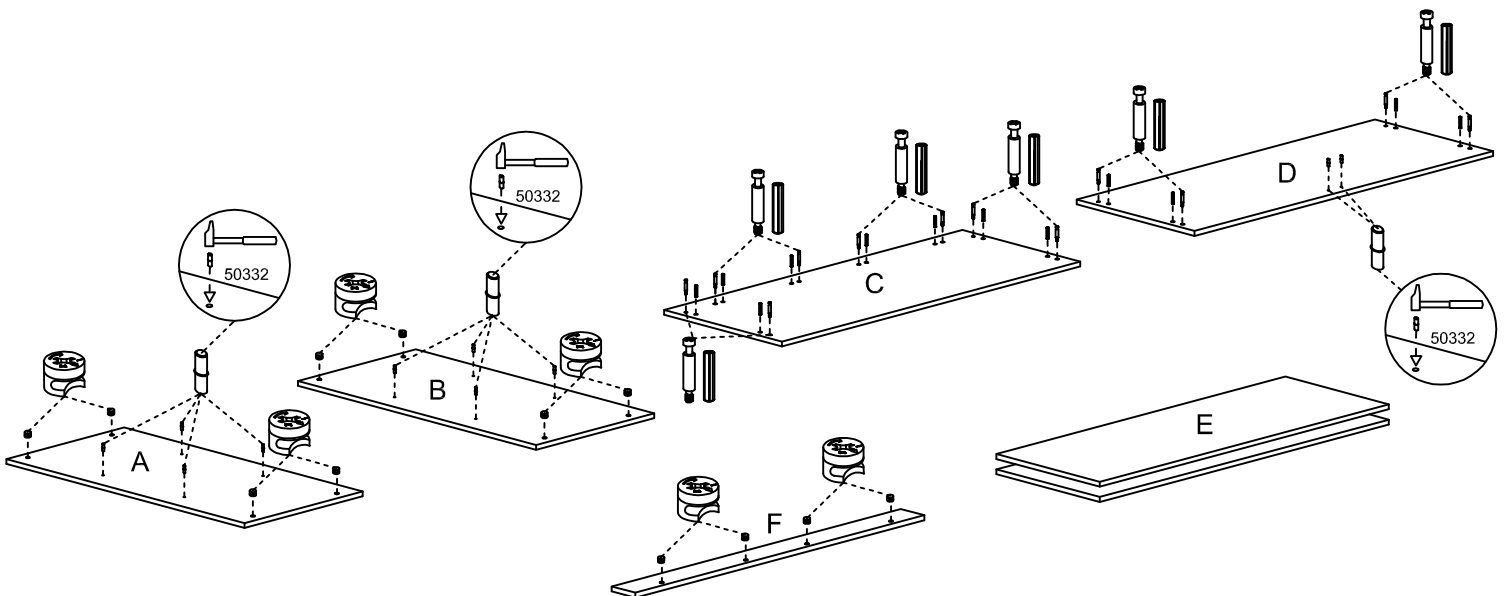
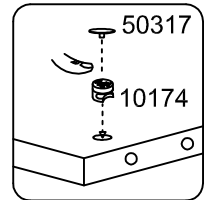
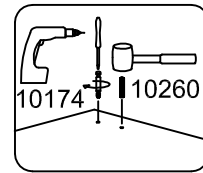
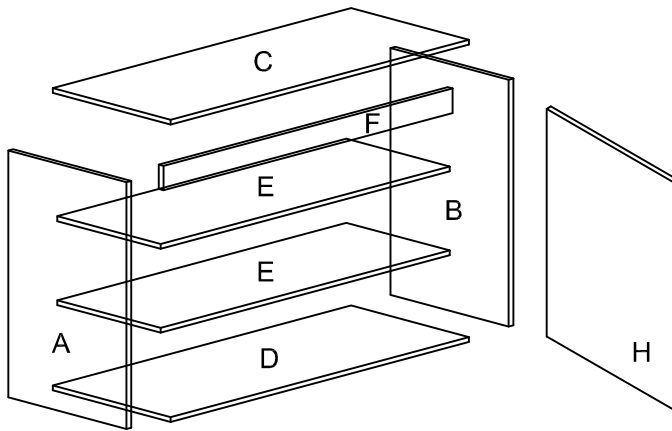




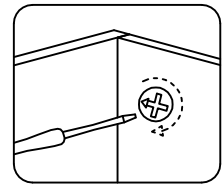
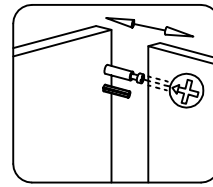
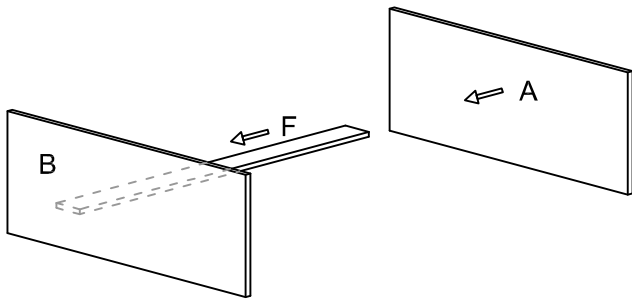
A	808x400	1/2
B	808x400	1/2
C	1012x400	1/2
D	1012x400	1/2
E	2x 980x350	1/2
F	980x80	1/2
G	3x 1000x275	1/2
H	2x 745x486	2/2



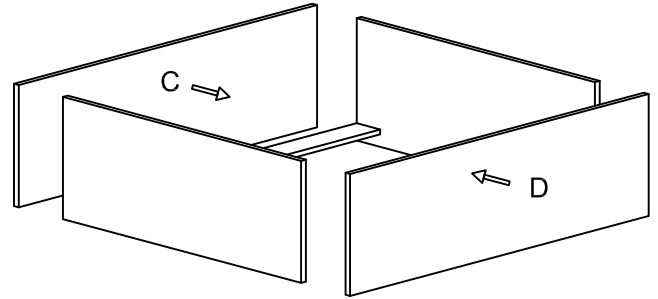
1



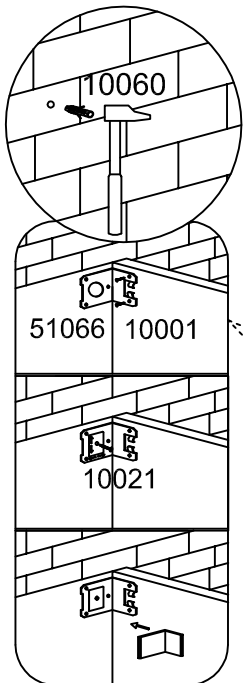
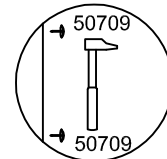
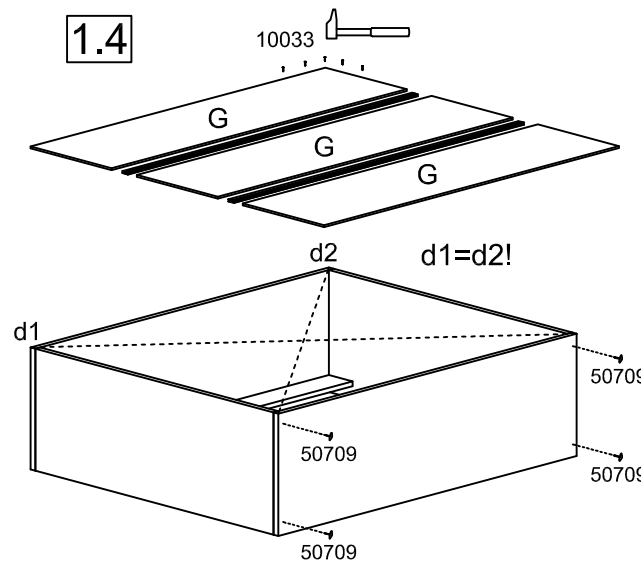
1.2



1.3



1.4



1.5

