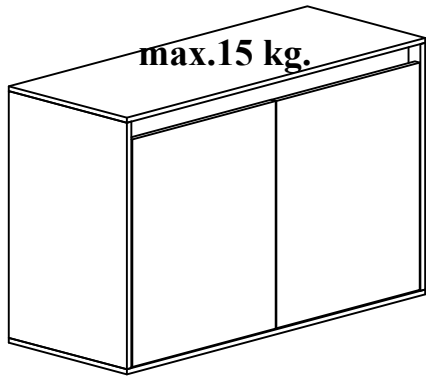
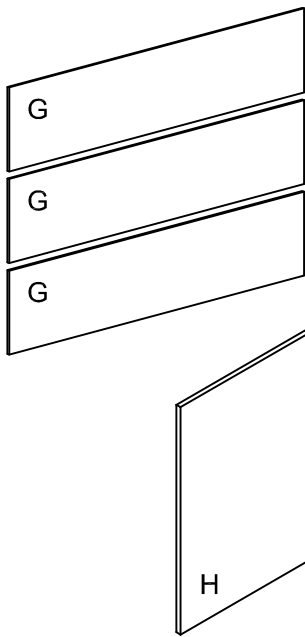
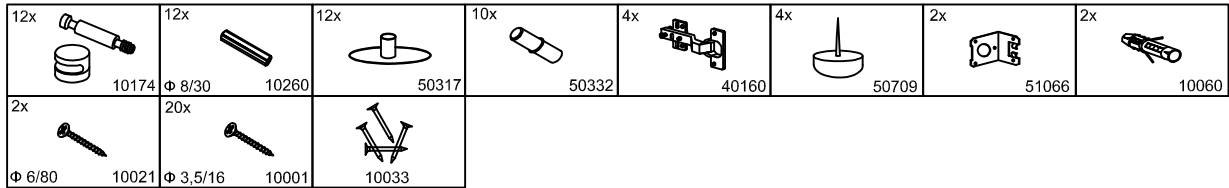


2 ΧΡΟΝΙΑ ΕΓΓΥΗΣΗ

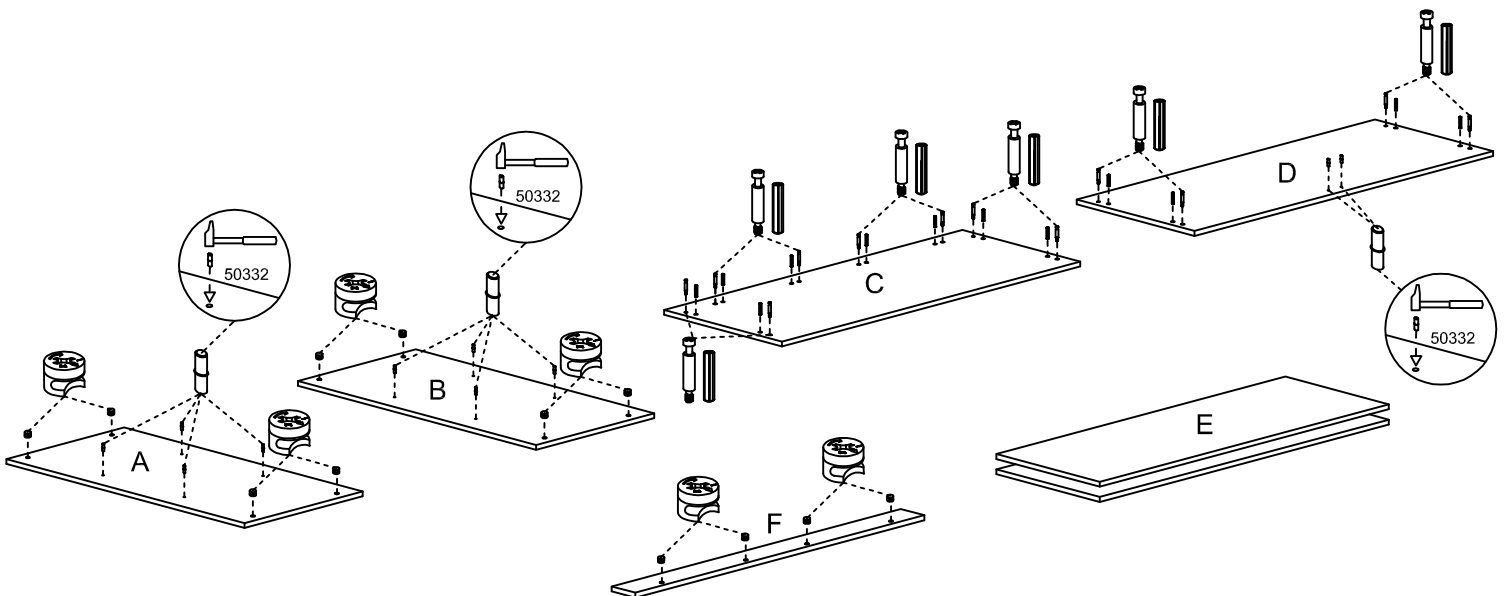
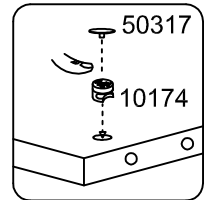
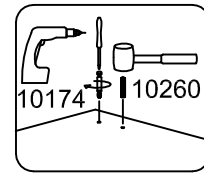
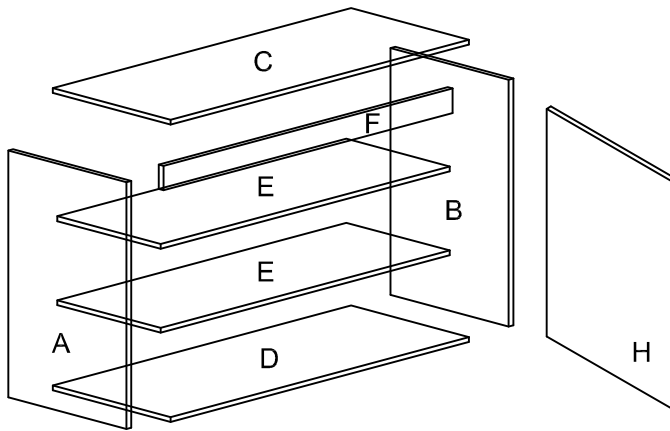




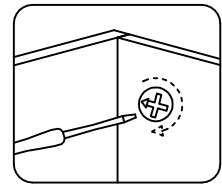
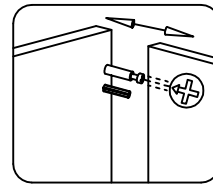
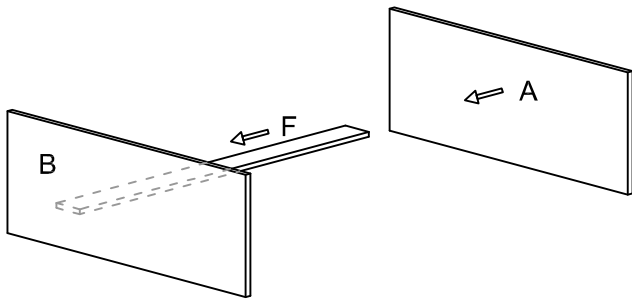
| | | |
|---|-------------|-----|
| A | 808x400 | 1/2 |
| B | 808x400 | 1/2 |
| C | 1012x400 | 1/2 |
| D | 1012x400 | 1/2 |
| E | 2x 980x350 | 1/2 |
| F | 980x80 | 1/2 |
| G | 3x 1000x275 | 1/2 |
| H | 2x 745x486 | 2/2 |



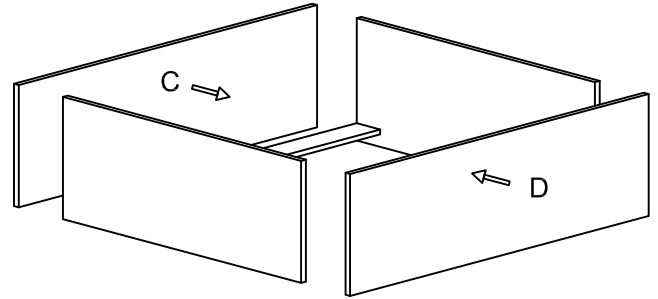
1



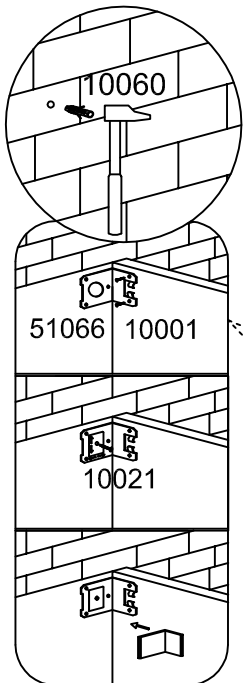
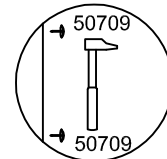
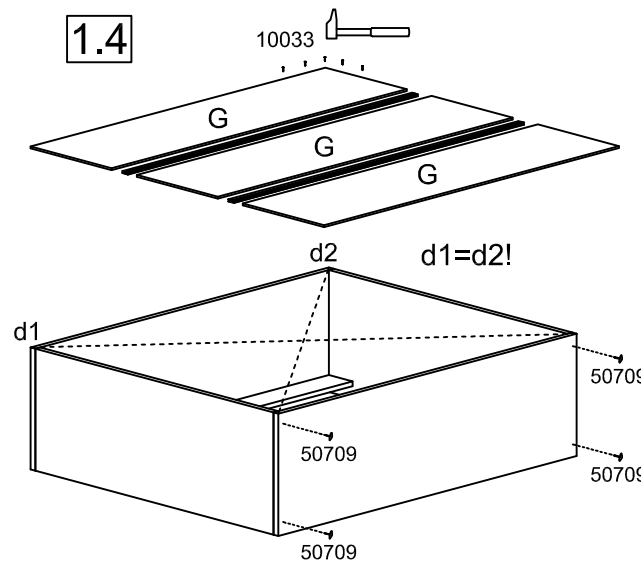
1.2



1.3



1.4



1.5

