

A × 15



B × 13



C × 17



D × 22



E × 1



F × 6



G × 6



H × 4



I × 22



J × 2



K × 1



L × 2



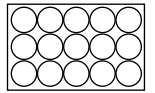
M × 2



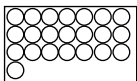
N × 3



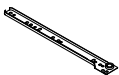
O × 2



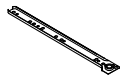
P × 1



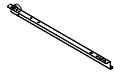
Q × 1



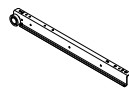
CL × 1



CR × 1

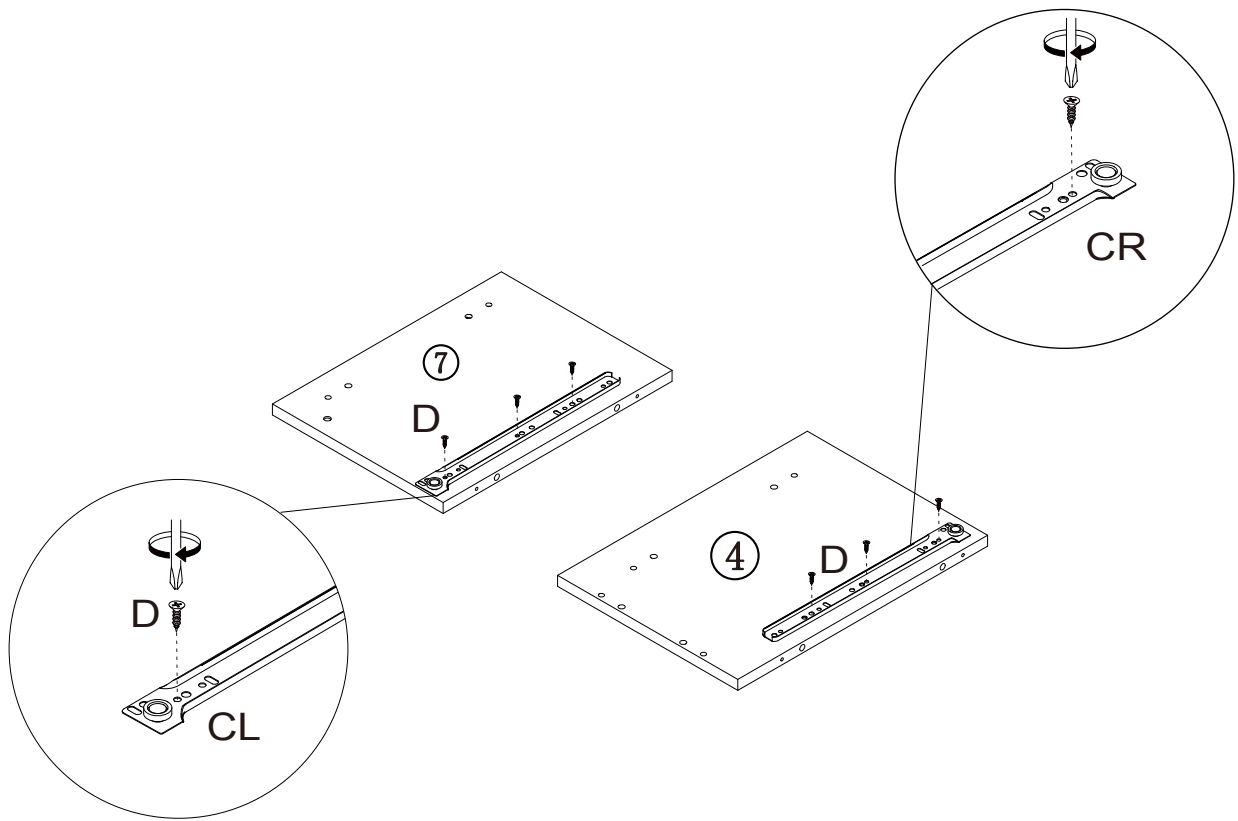


DL × 1

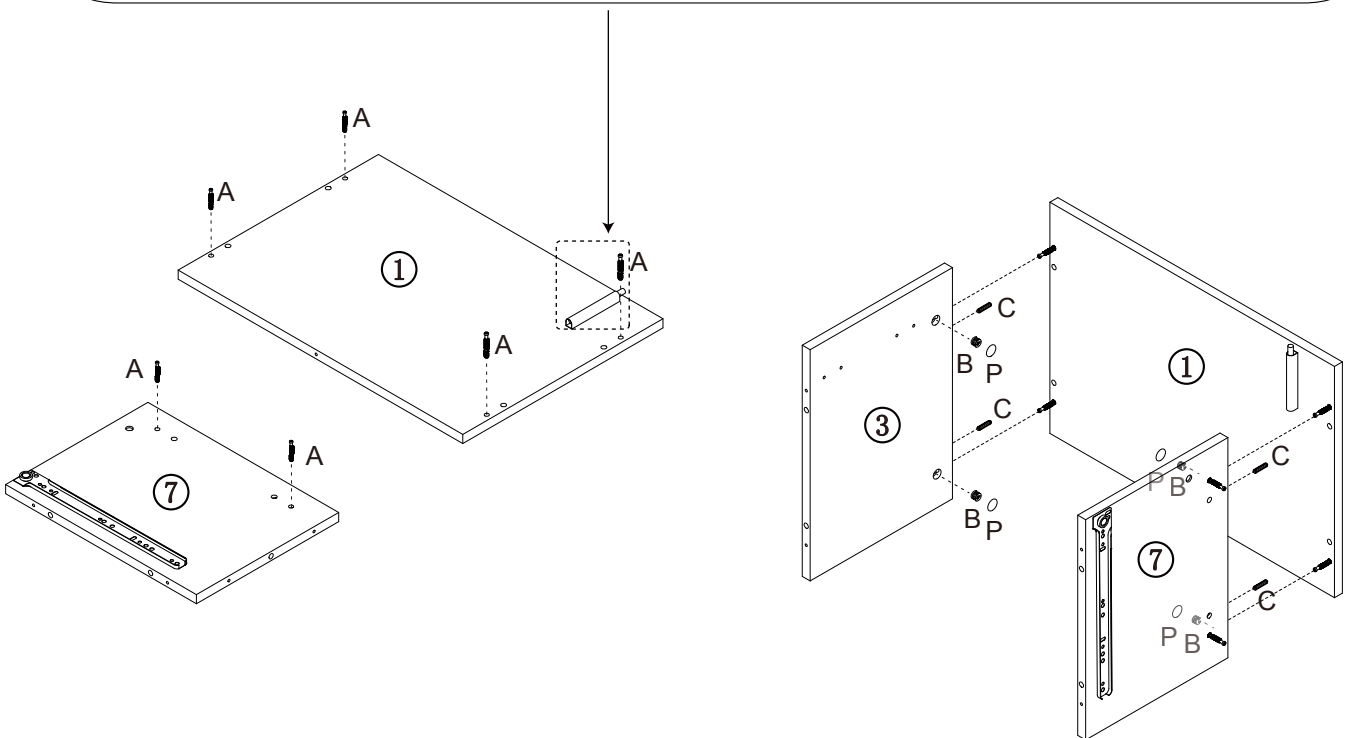
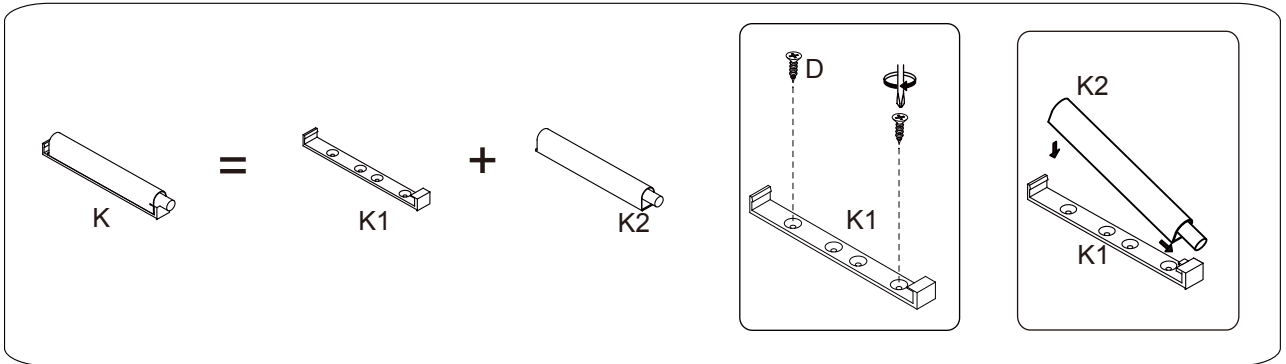


DR × 1

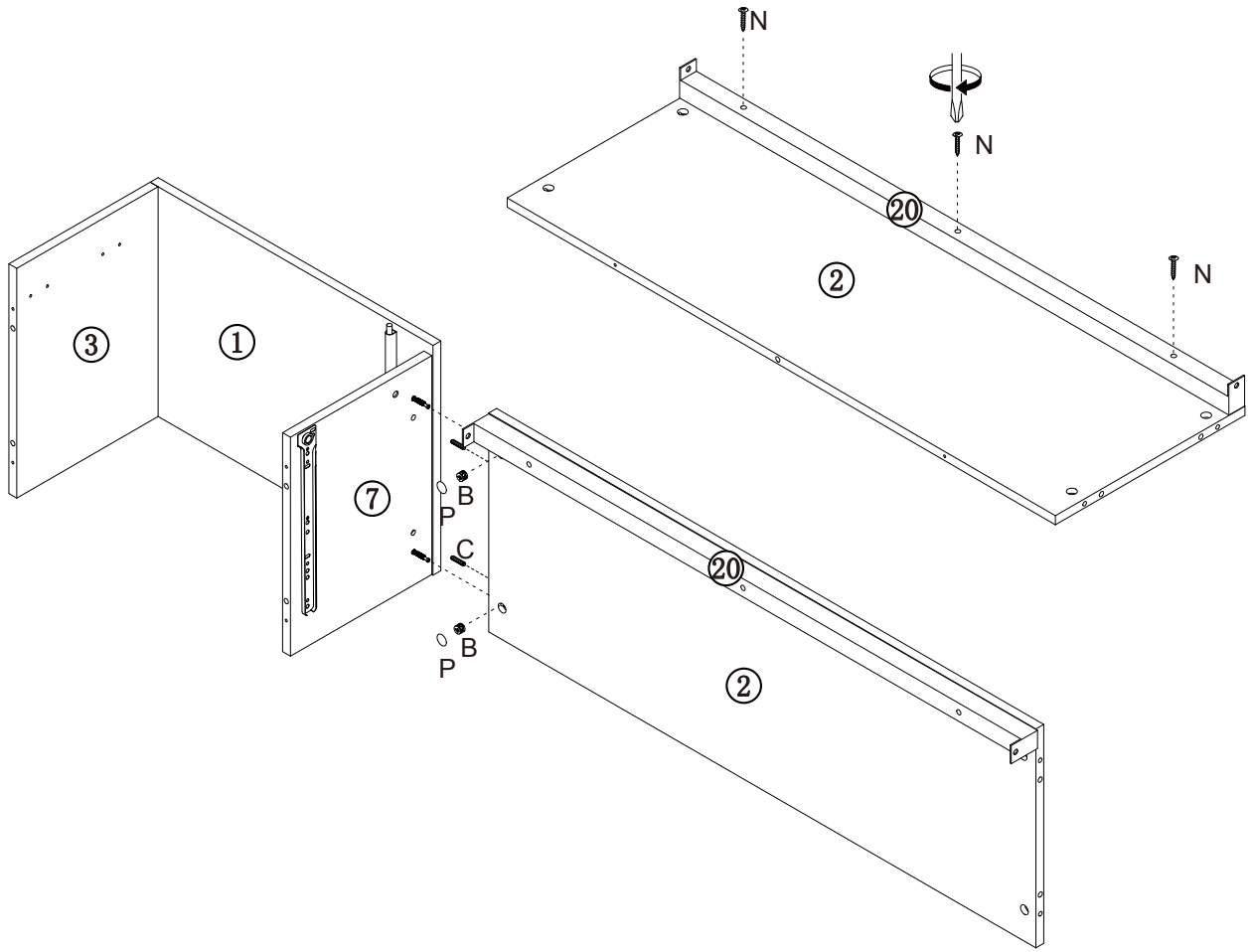
1



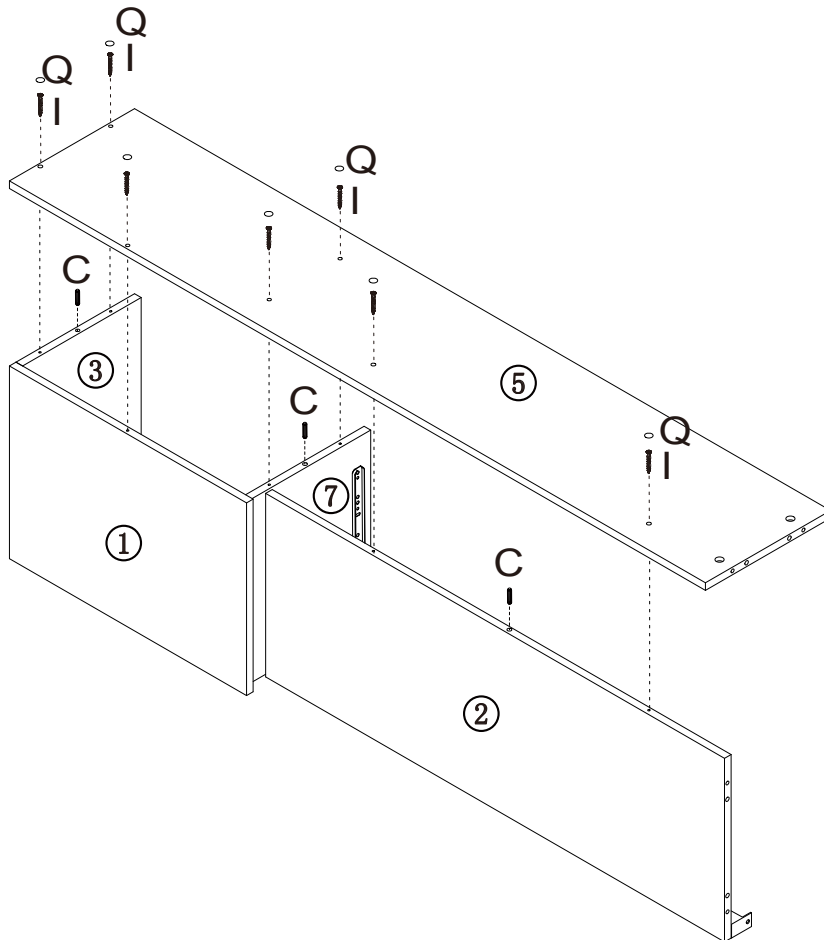
2



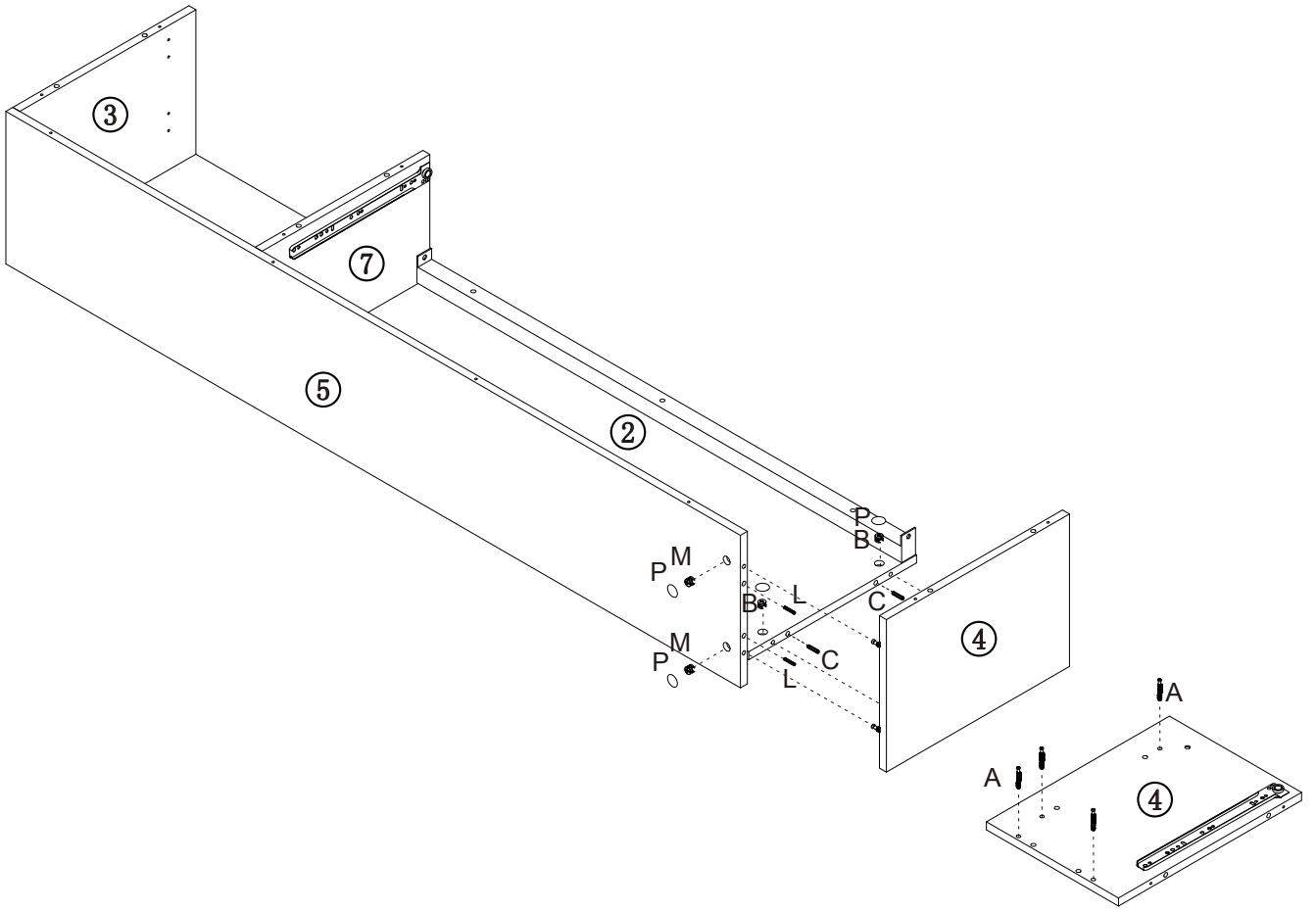
3



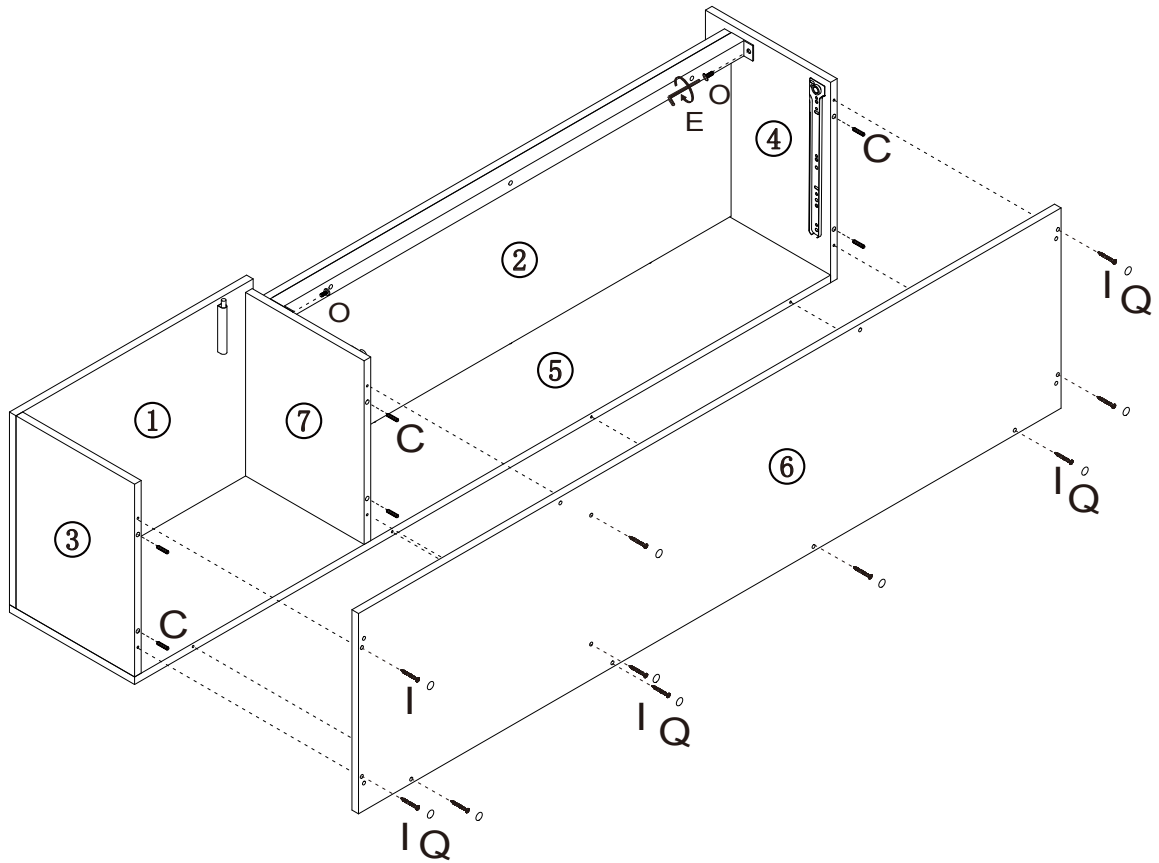
4



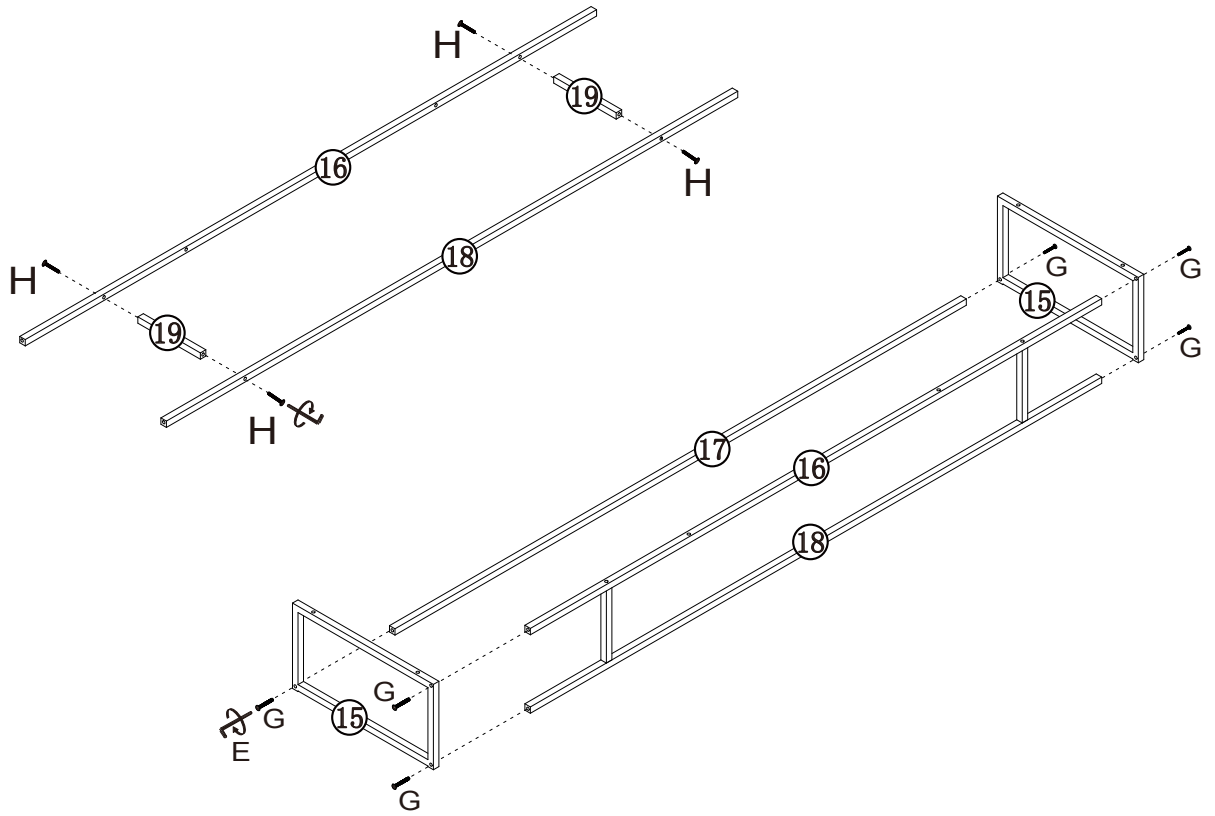
5



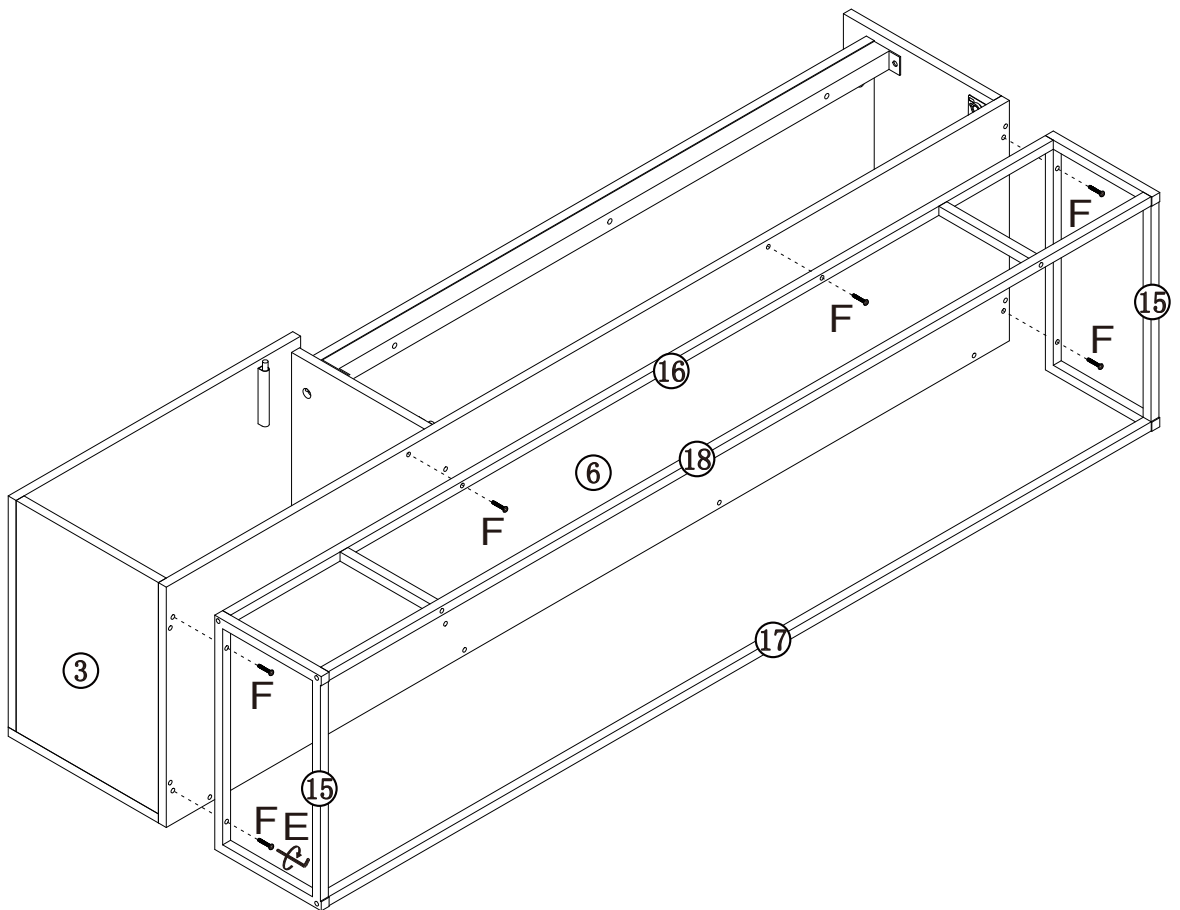
6



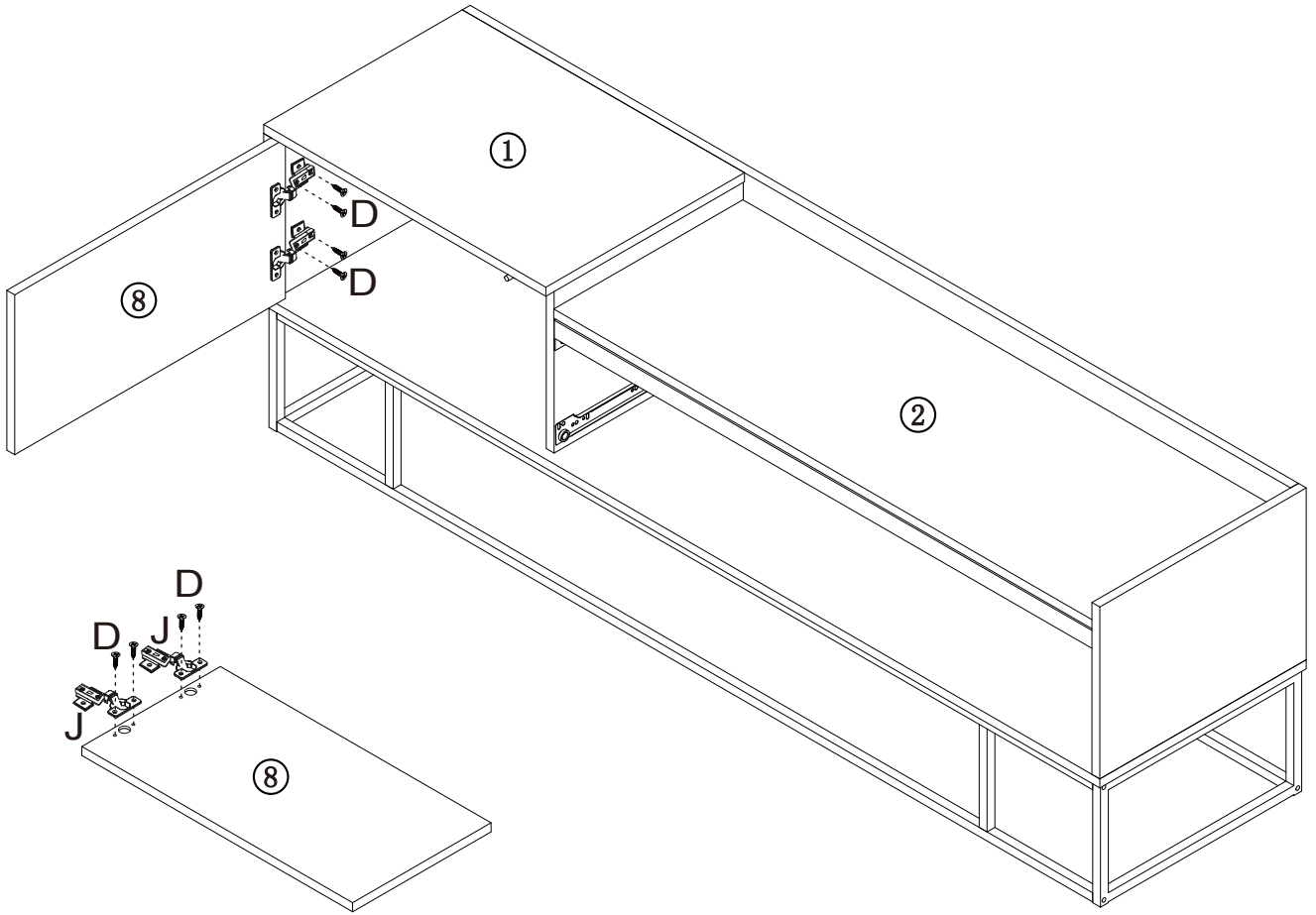
7



8



9



10

