

A × 16



B × 14



C × 26



D × 30



E × 1



F × 6



G × 6



H × 4



I × 21



J × 6



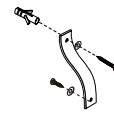
K × 1



L × 2



M × 8



N × 2



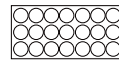
O × 2



P × 2

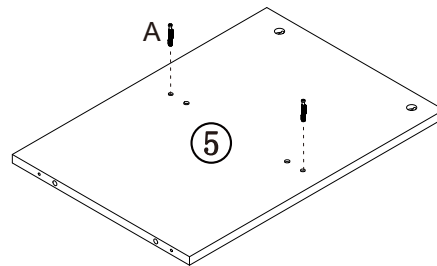
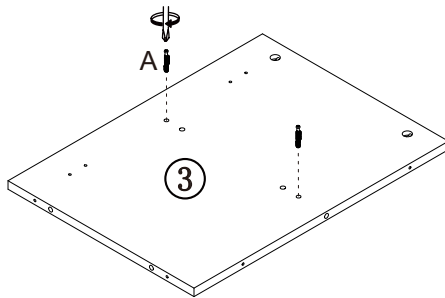


Q × 1

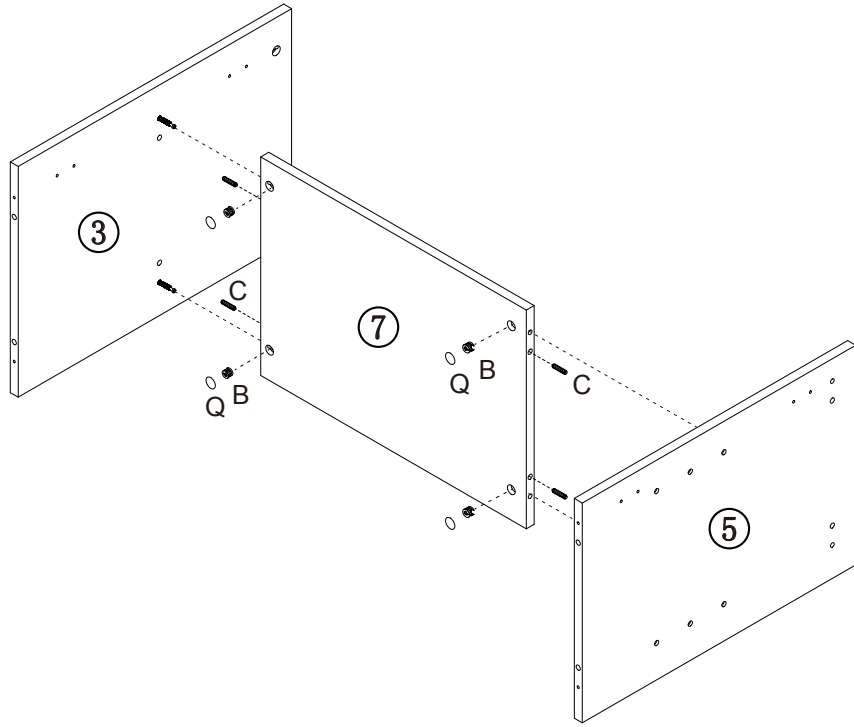


R × 1

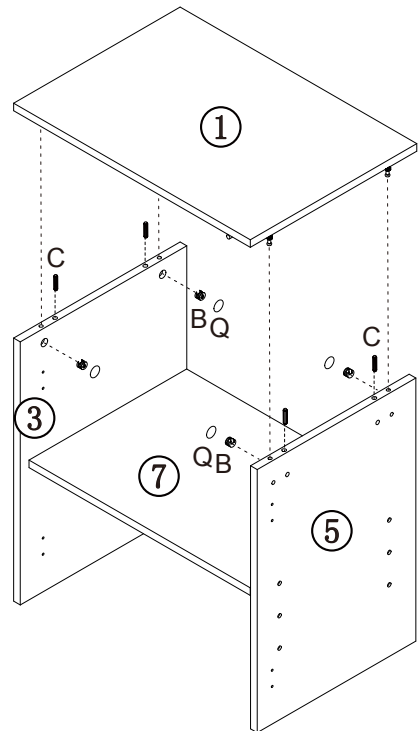
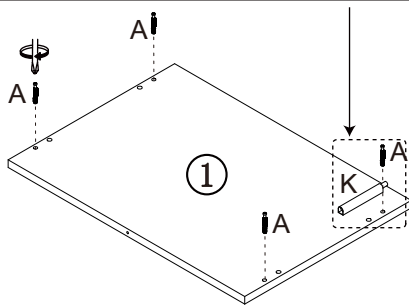
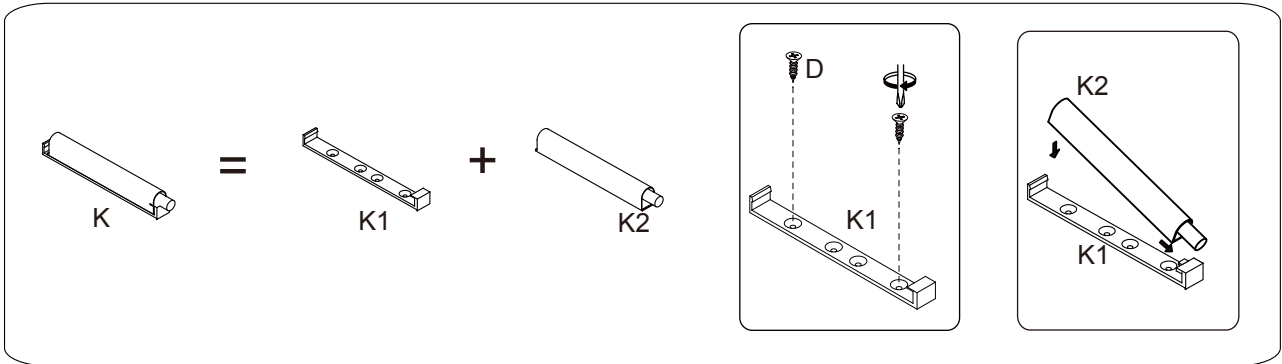
1



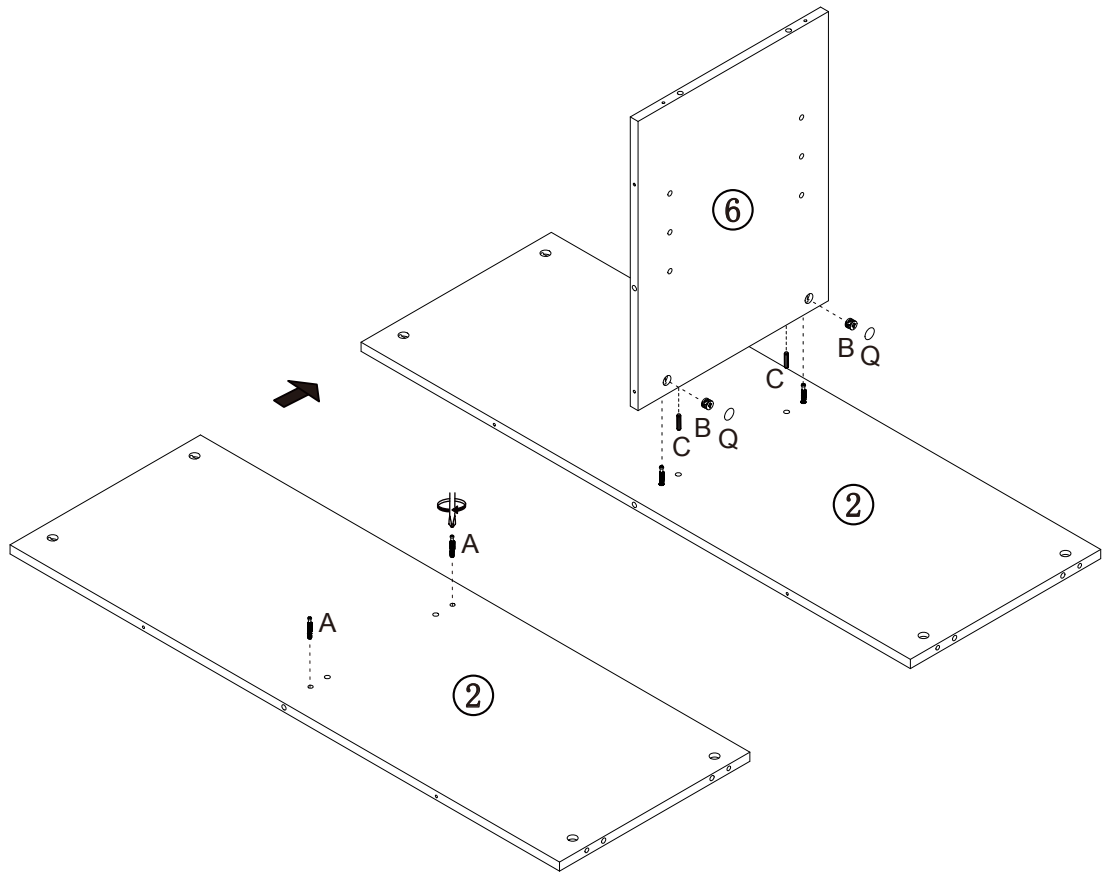
1



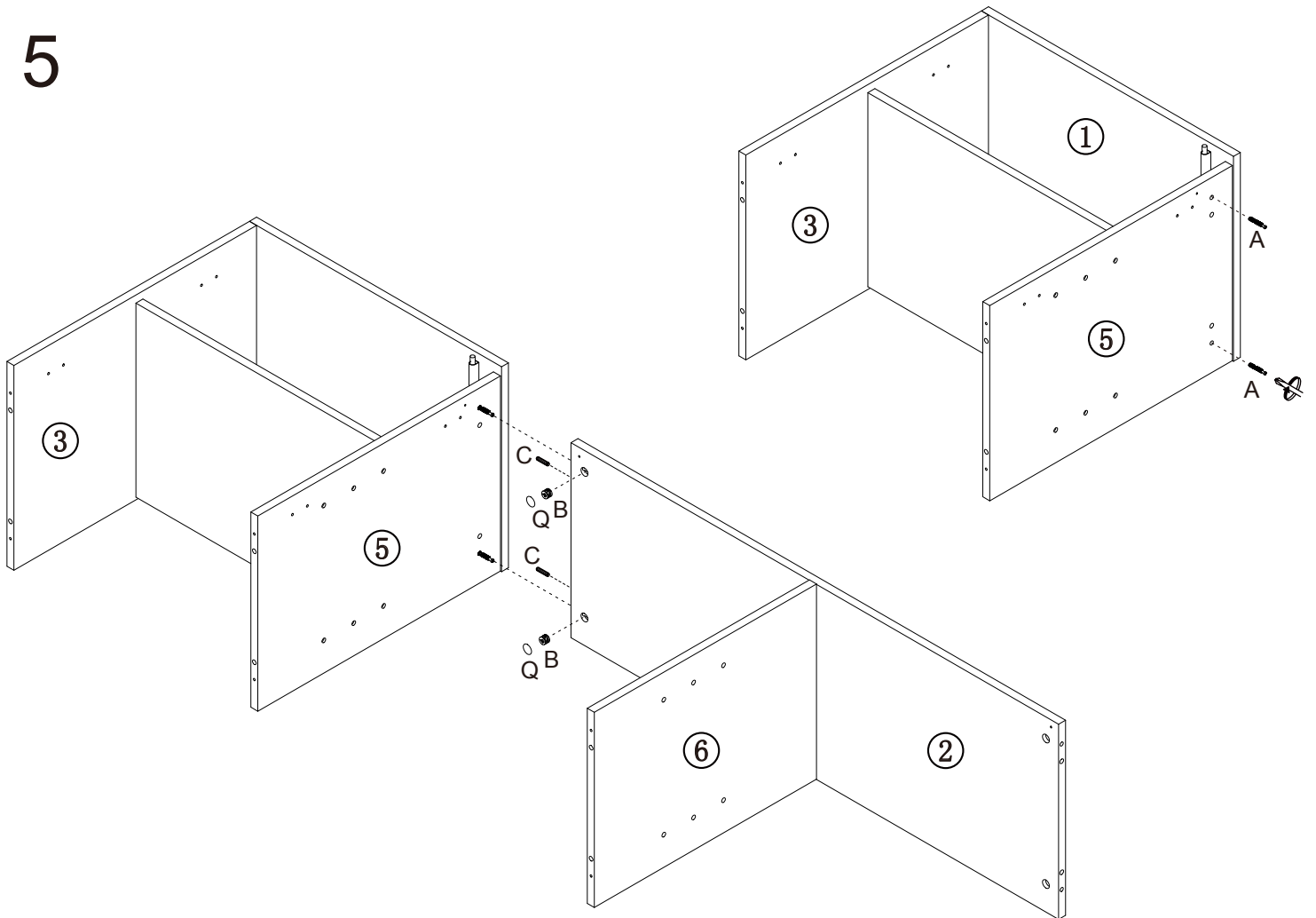
3



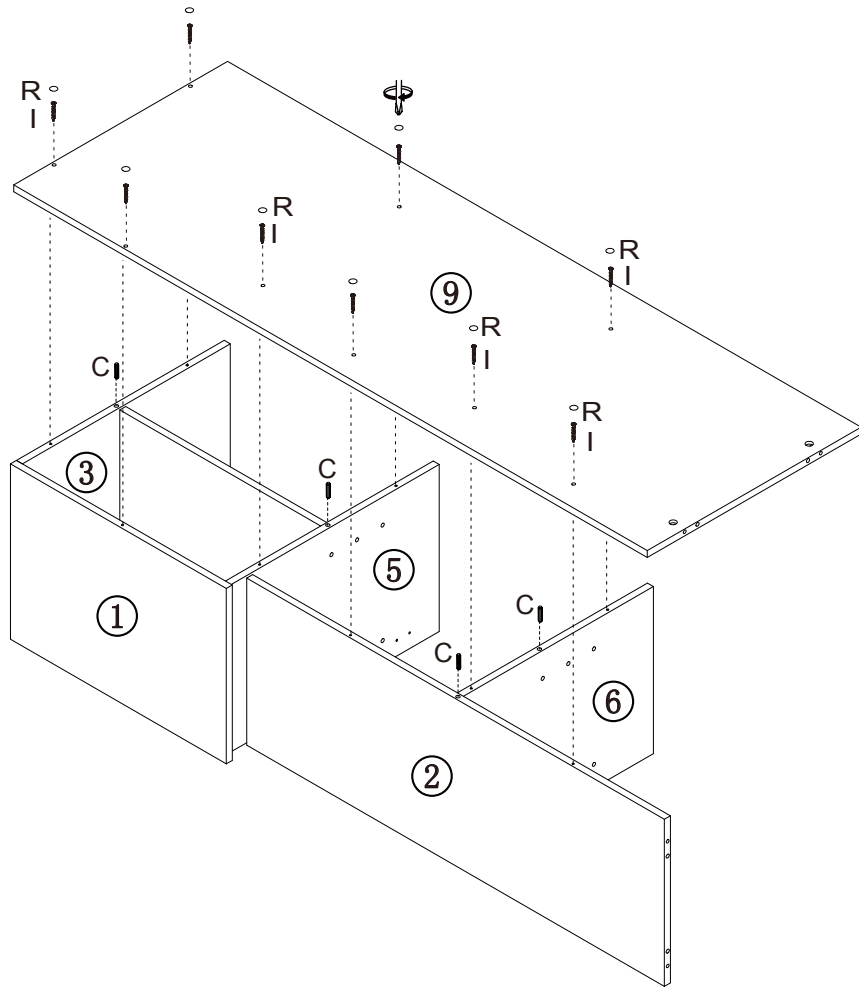
4



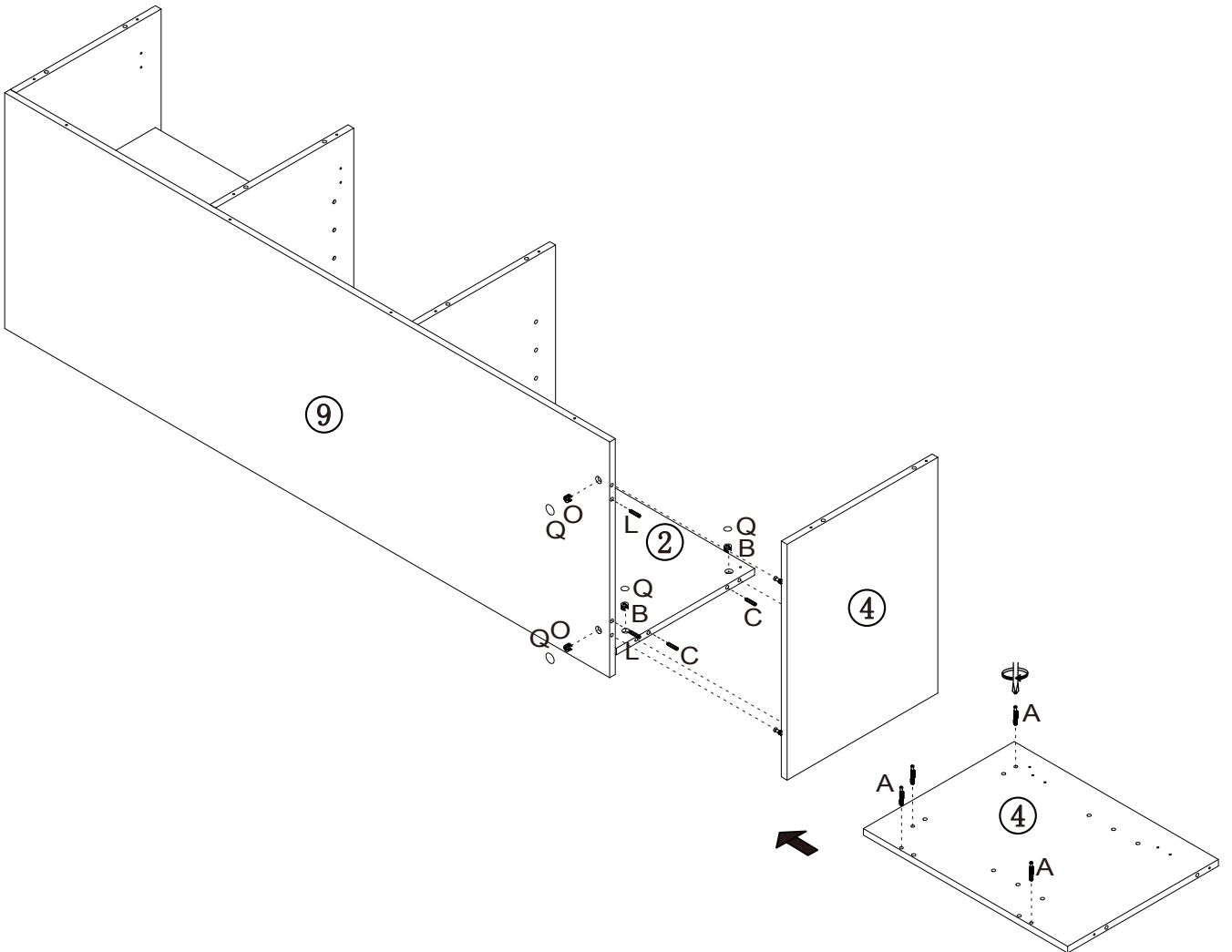
5



6

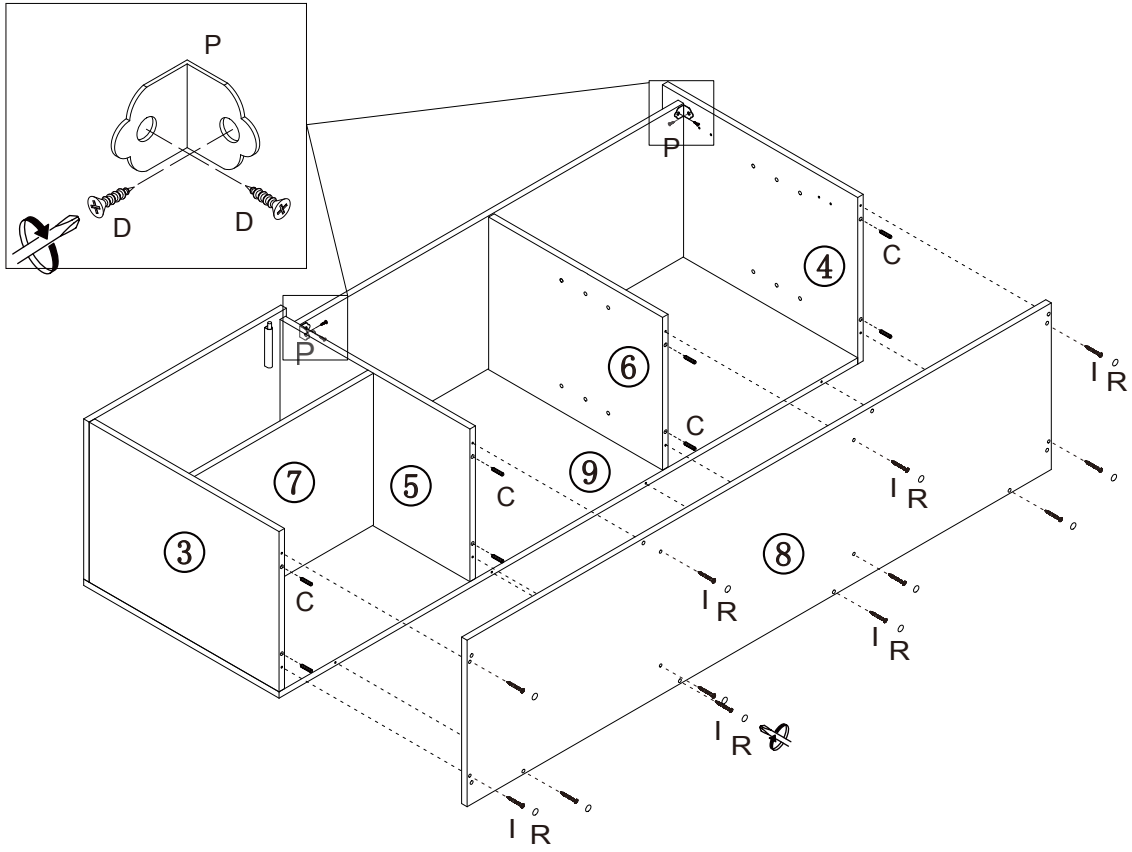


7

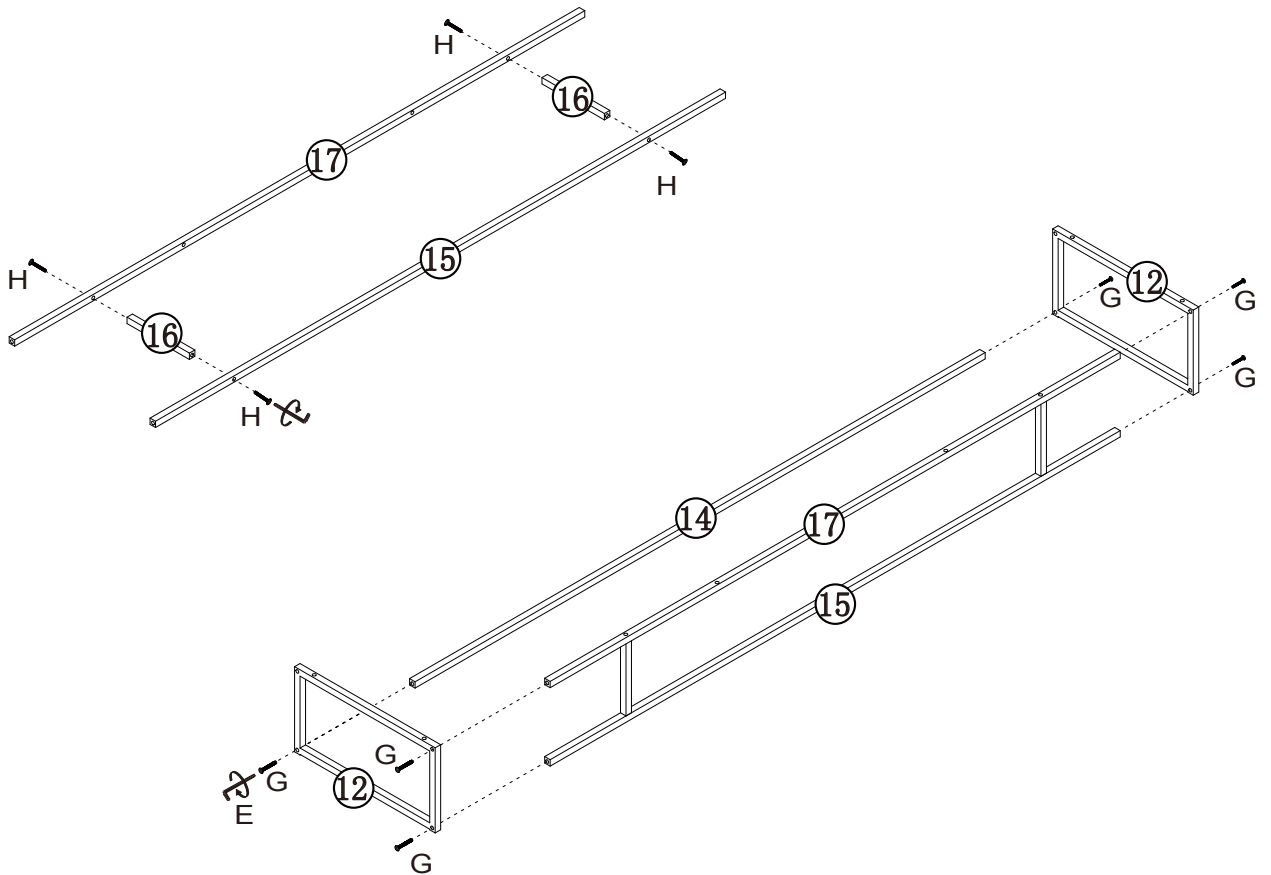




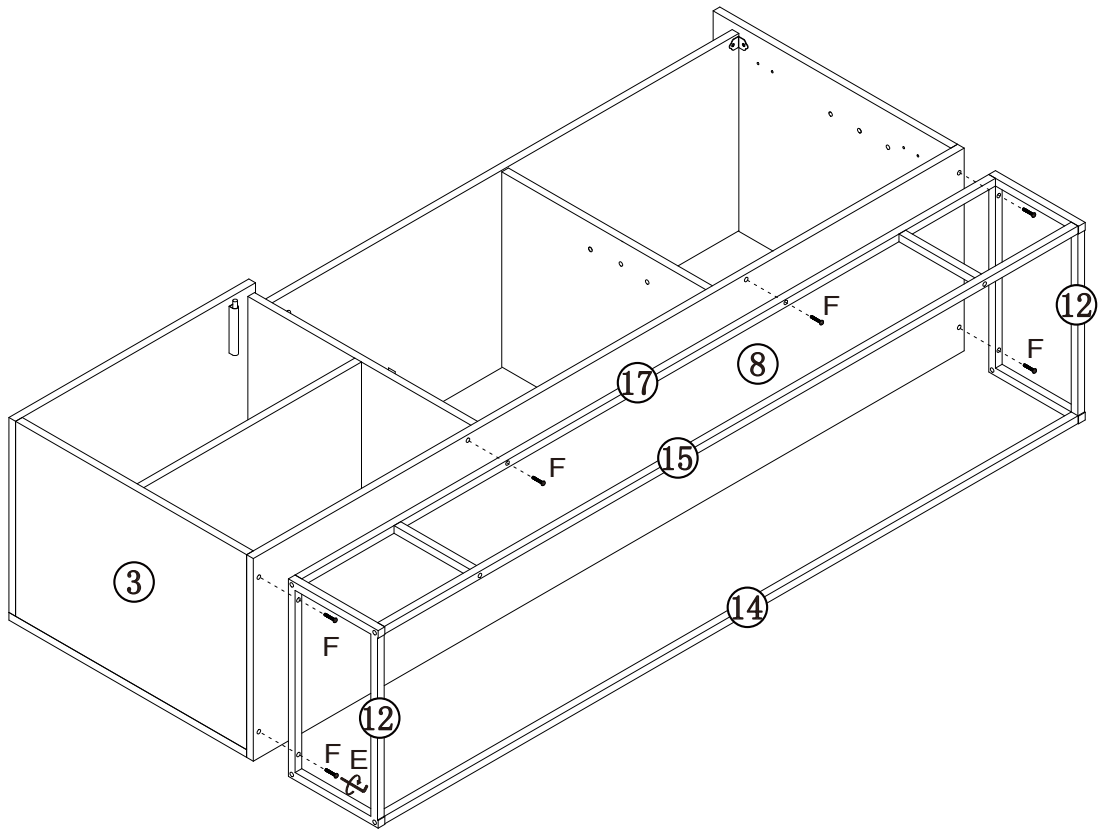
8



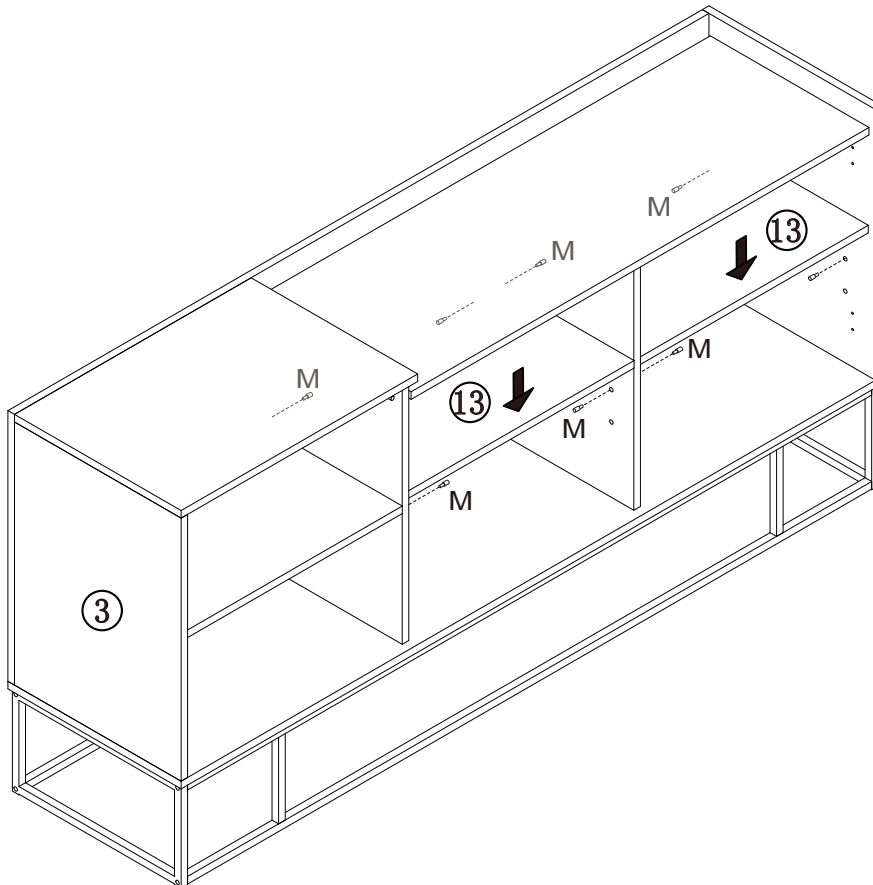
9



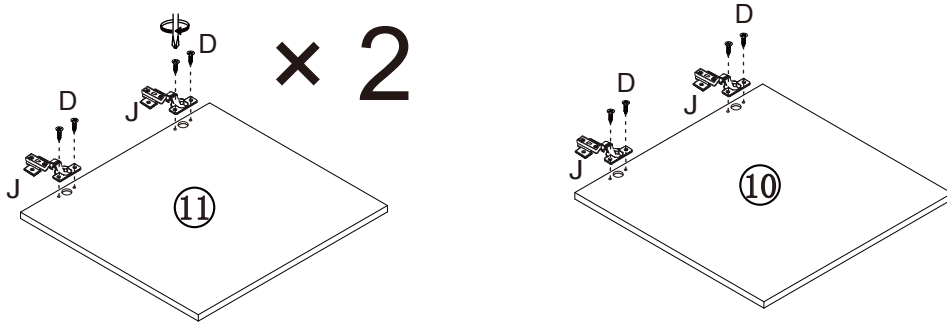
10



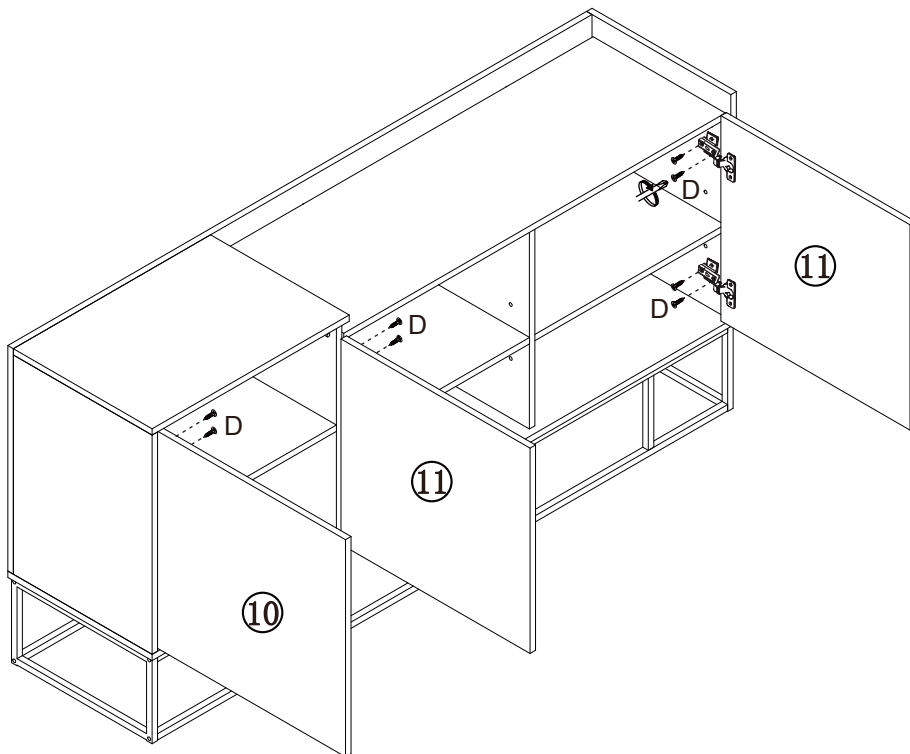
11



12



13



Απαραίτητη η στήριξη στον τοίχο

Mounting to the wall is required

Необходимо е да бъде захванато за стената

