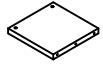
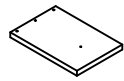


A x 1



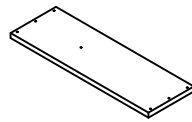
B x 1



C x 1

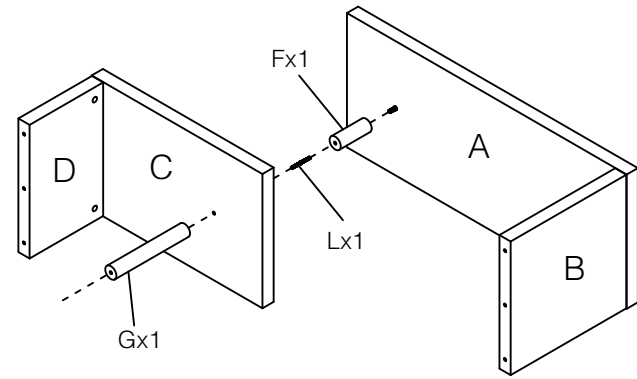


D x 1



E x 1

3



F x 1



G x 1



H x 4



I x 4



J x 4



K x 1



L x 1



M x 1



N x 4

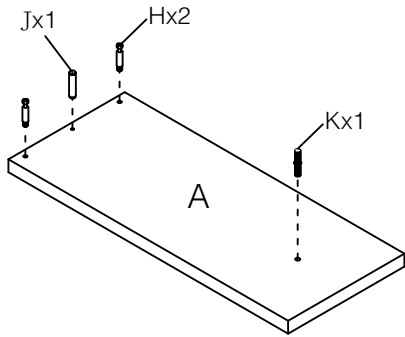


O x 1

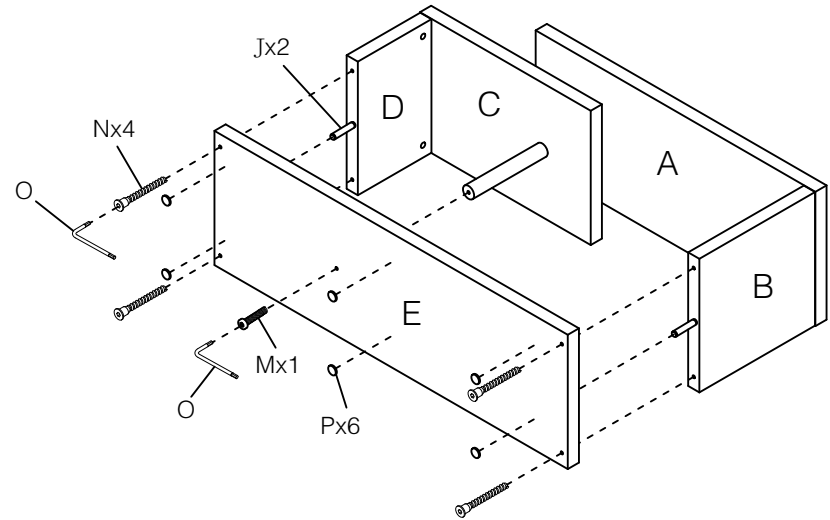


P x 6

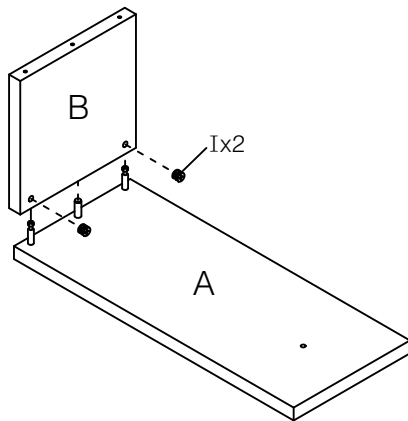
1



4



2



5

