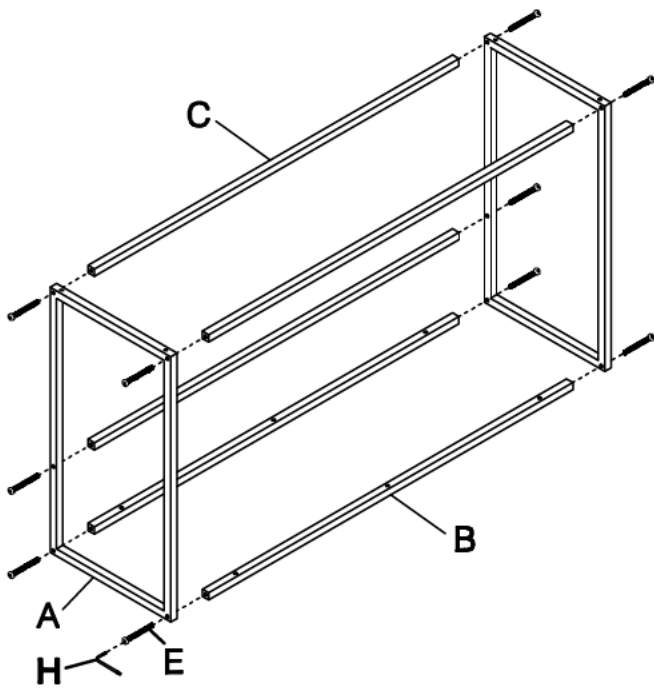
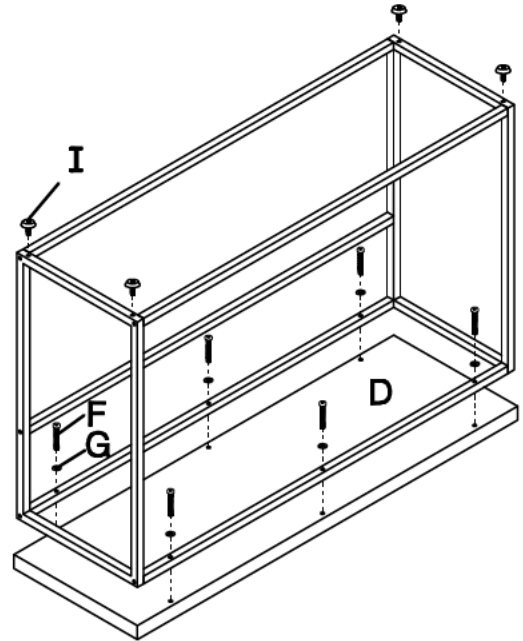

Ax2	Bx2	Cx3	Dx1	Ex10	Fx6	Gx6	Hx1	Ix4

1



2



3

