

A × 32



B × 32



C × 26



D × 12



E × 62



F × 22



G × 4



H × 20



I × 8



J × 1



K × 1



L × 4



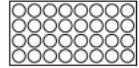
M × 5



N × 2



O × 1



P × 1



Q × 1



CL × 3



CR × 3

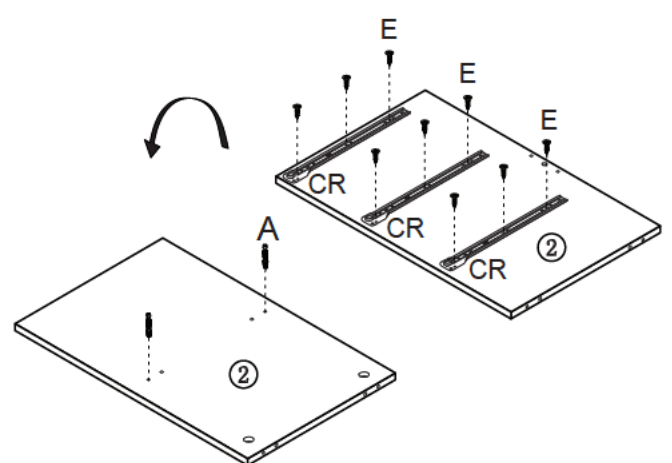
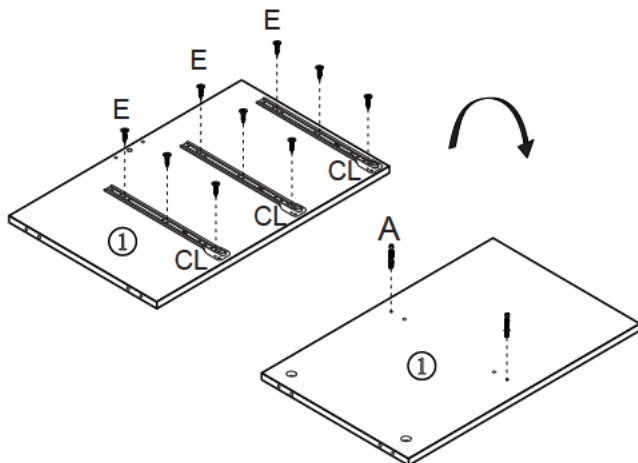
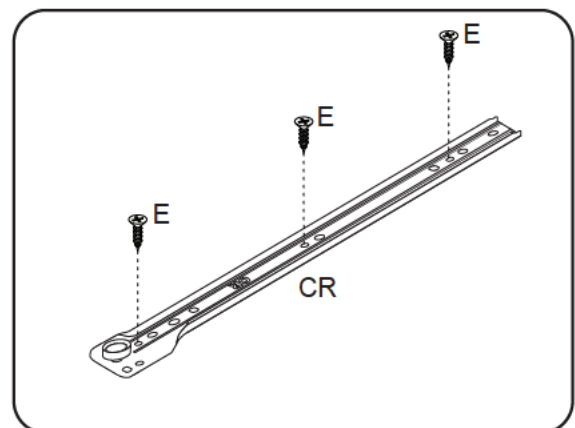
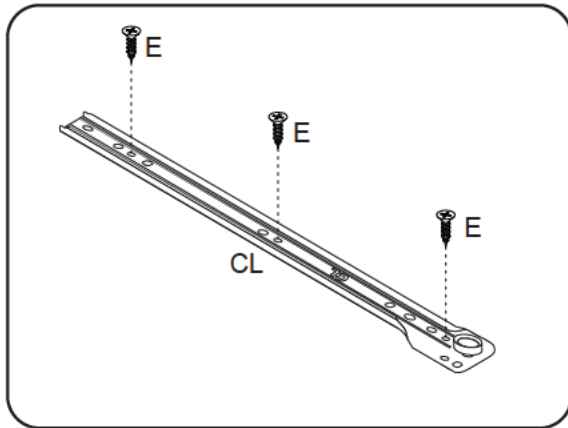


DL × 3

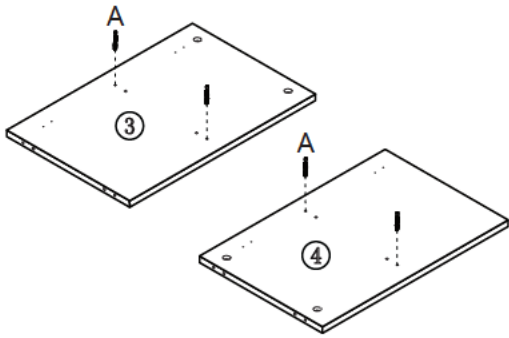


DR × 3

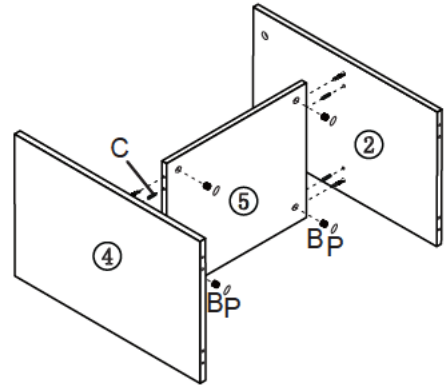
1



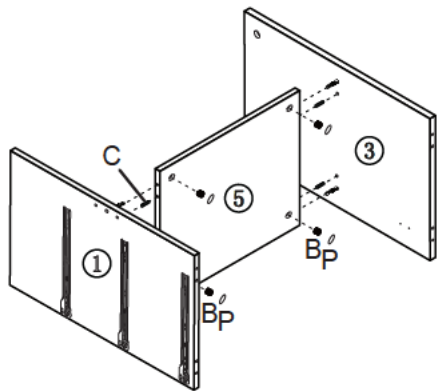
2



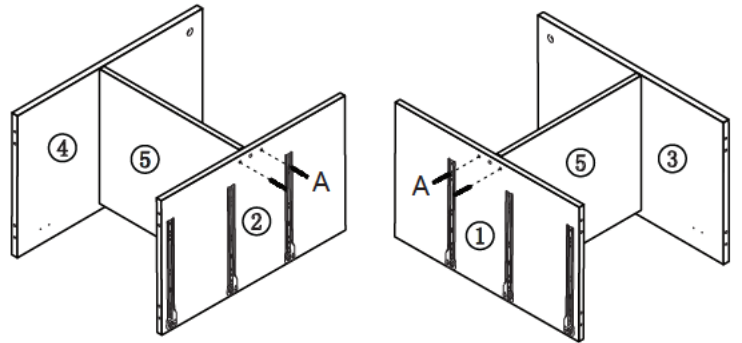
3



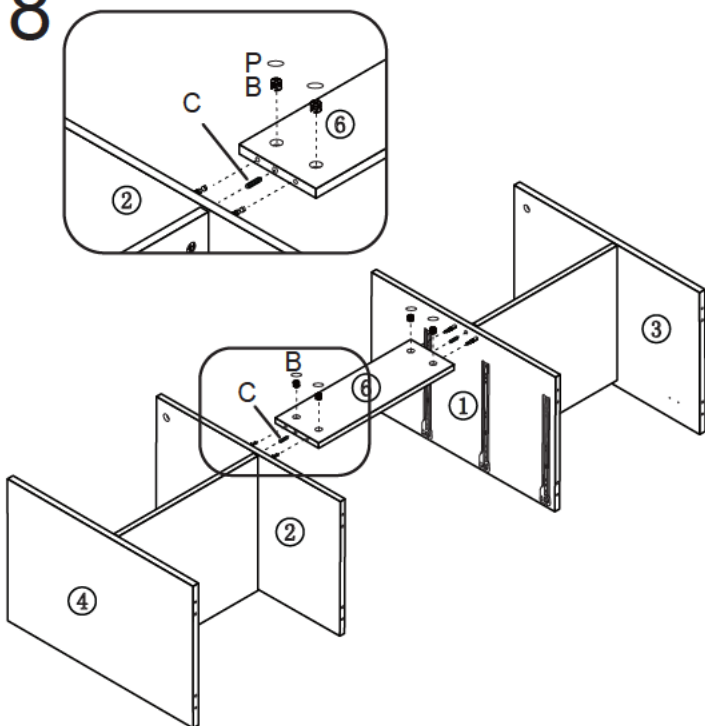
4



5



8



9

