

A × 12



B × 12



C × 16



D × 8



E × 8



F × 4



G × 20



H × 4



I × 3



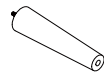
J × 3



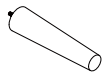
K × 3



L × 1



M × 1



N × 4



O × 6



P × 16



Q × 2



R × 2

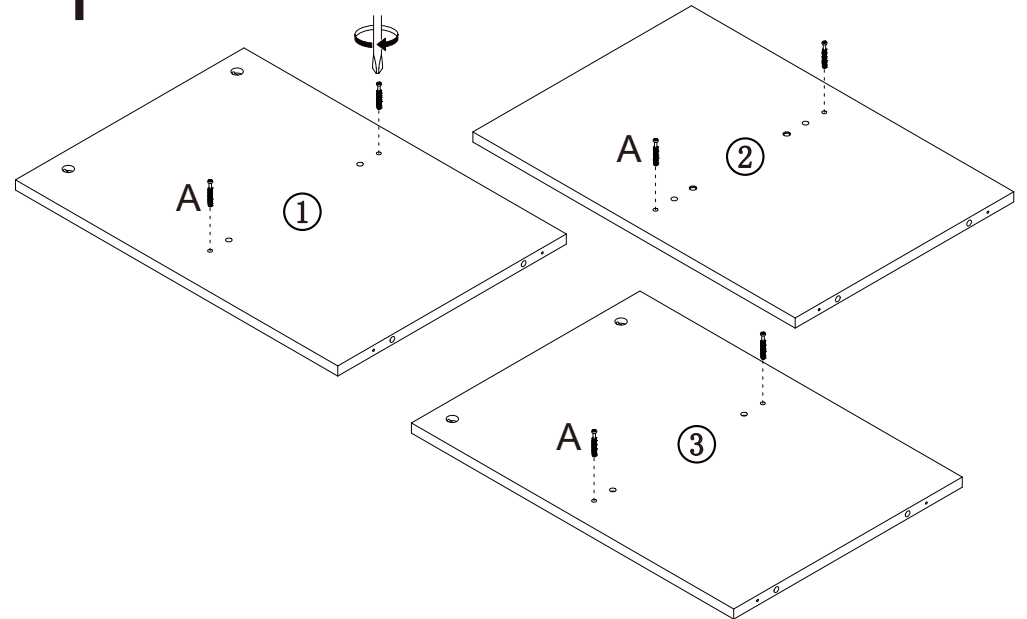


S × 1

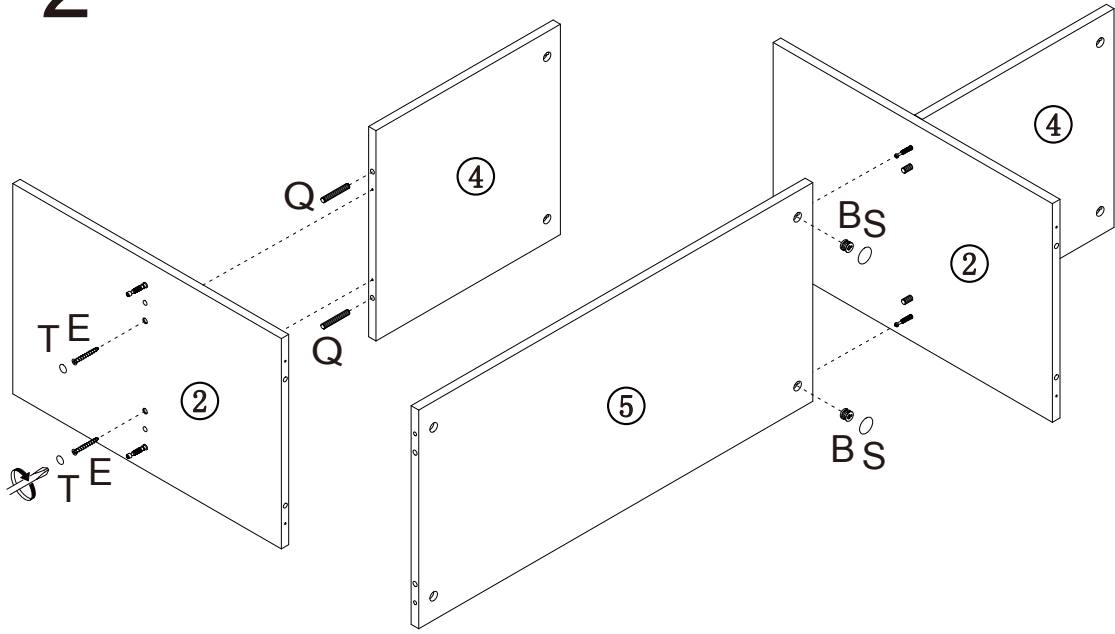


T × 1

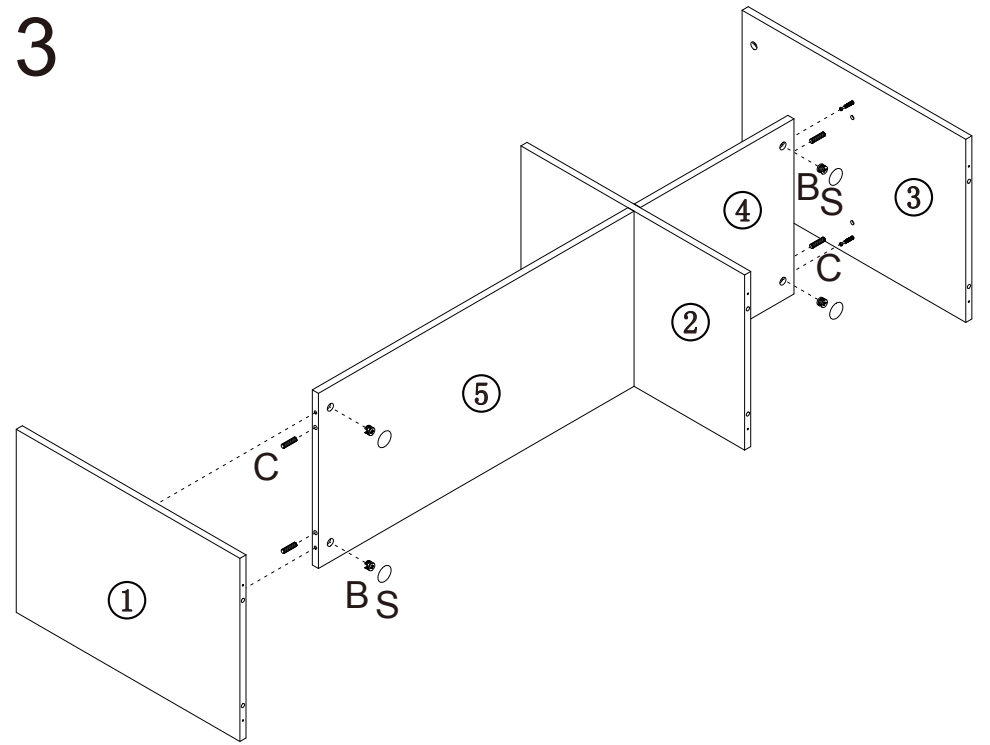
1



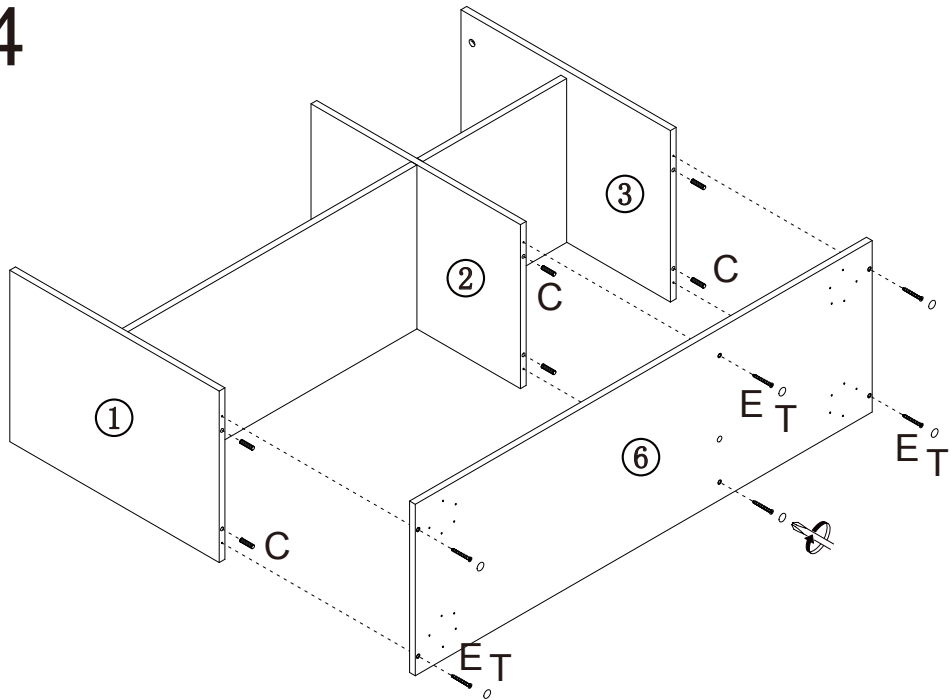
2



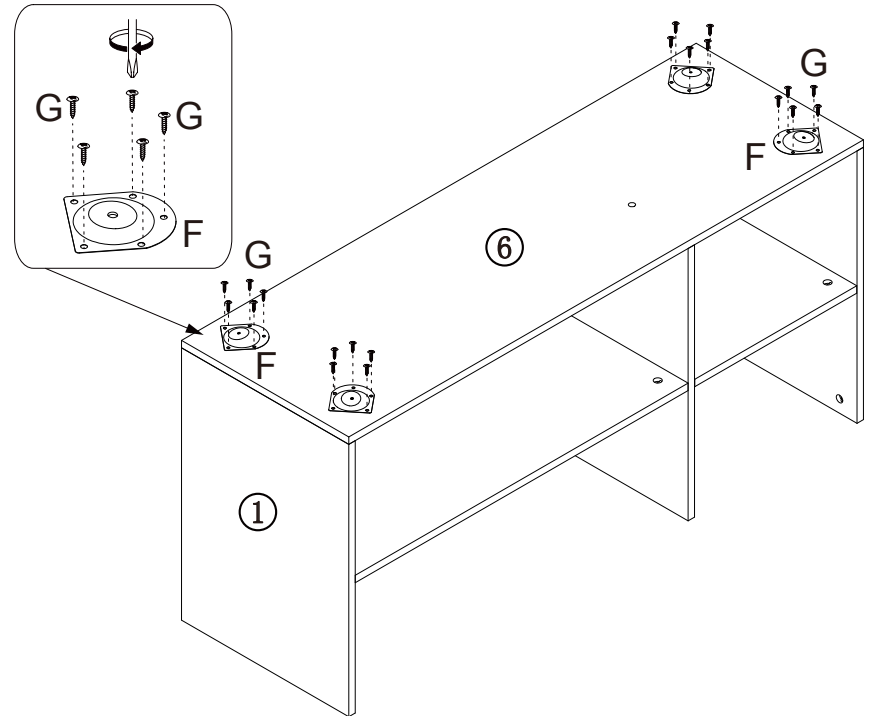
3



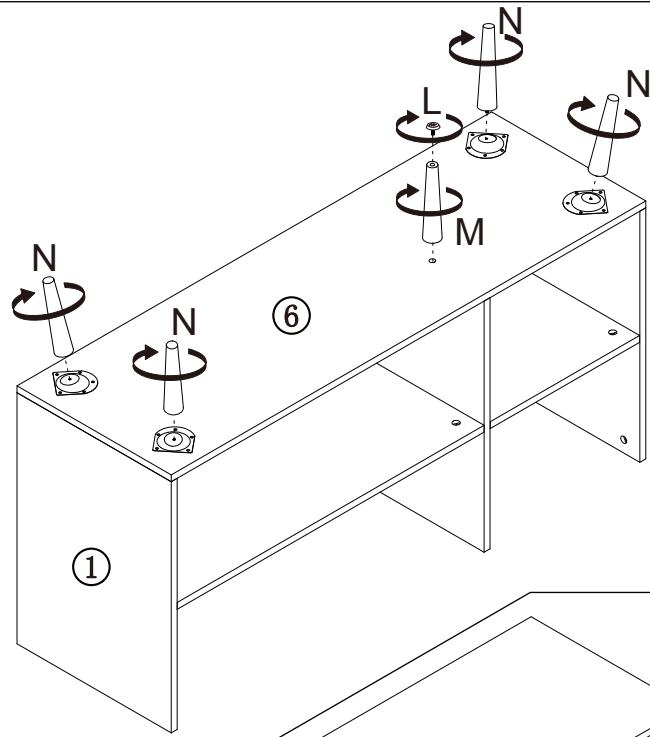
4



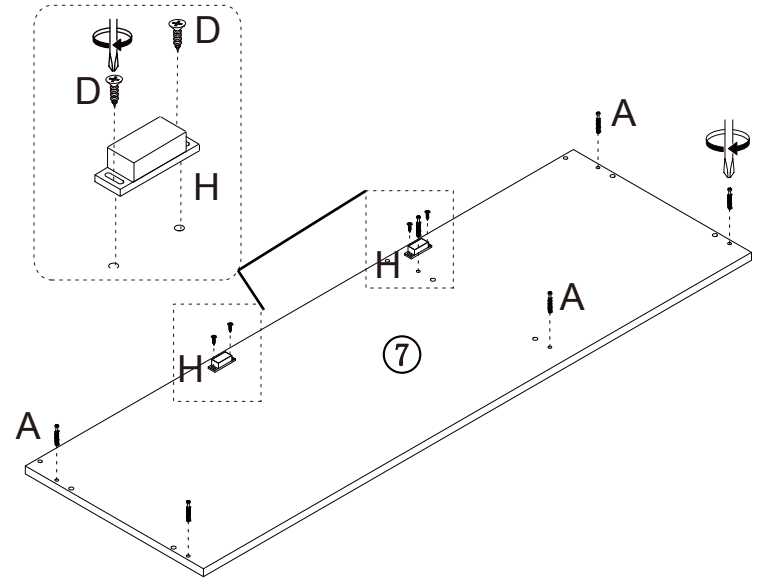
5



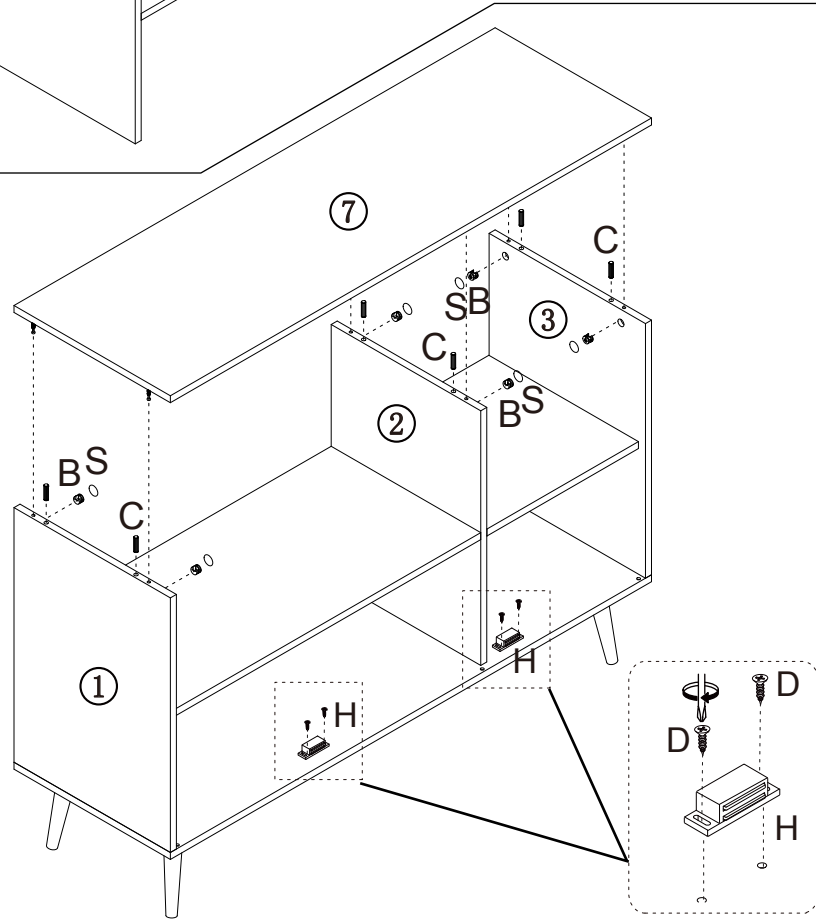
6



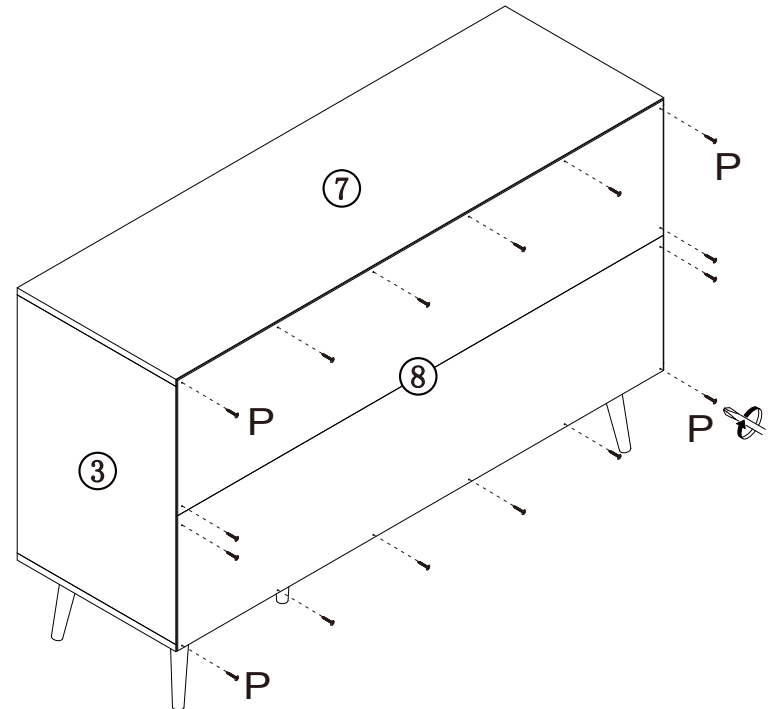
7



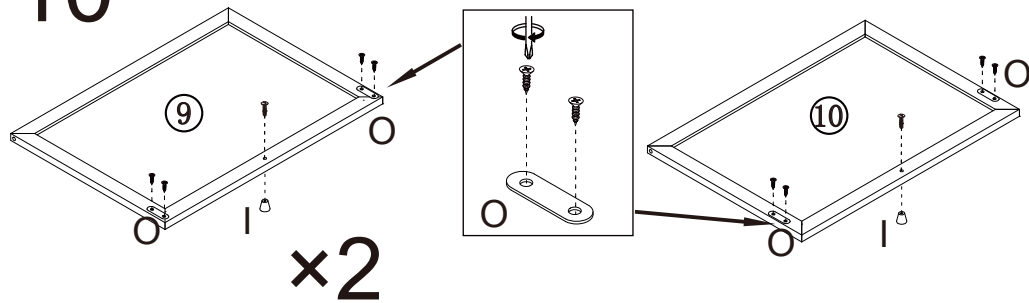
8



9



10



12

Απαραίτητη η στήριξη στον τοίχο
Mounting to the wall is required
Необходимо е да бъде захванато за стената

11

