


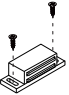



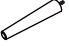







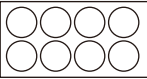
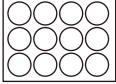

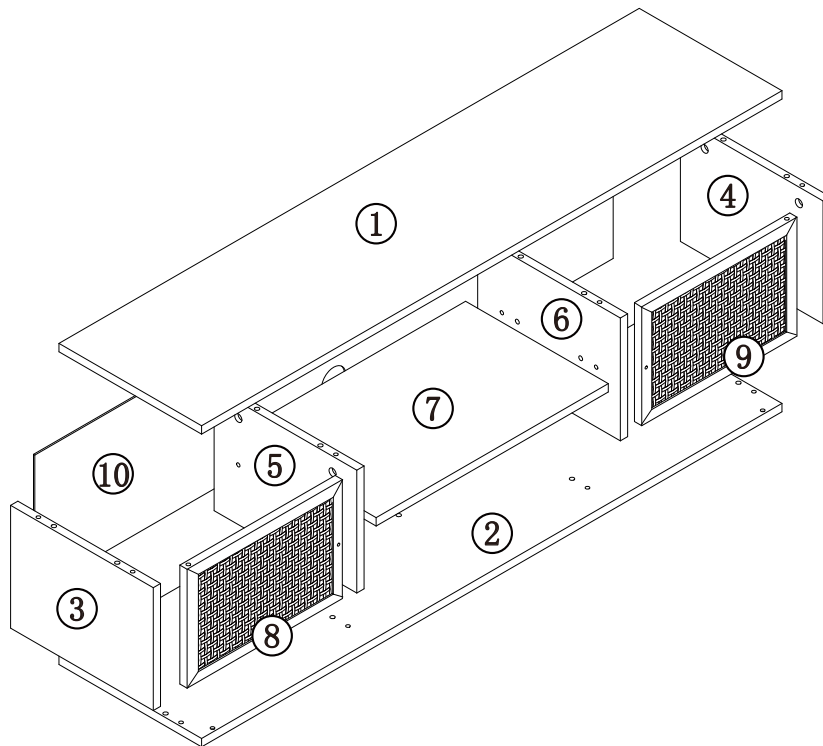
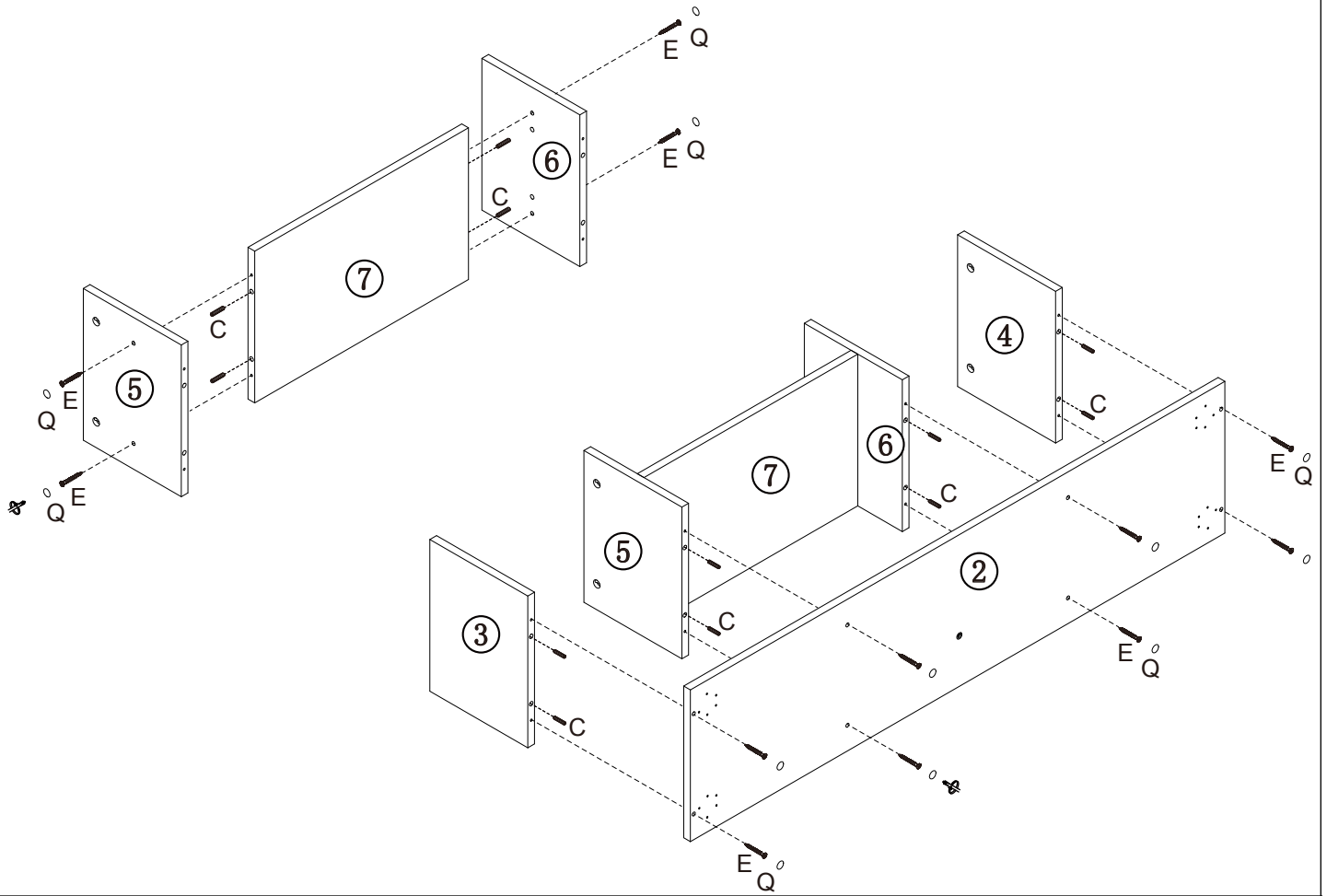


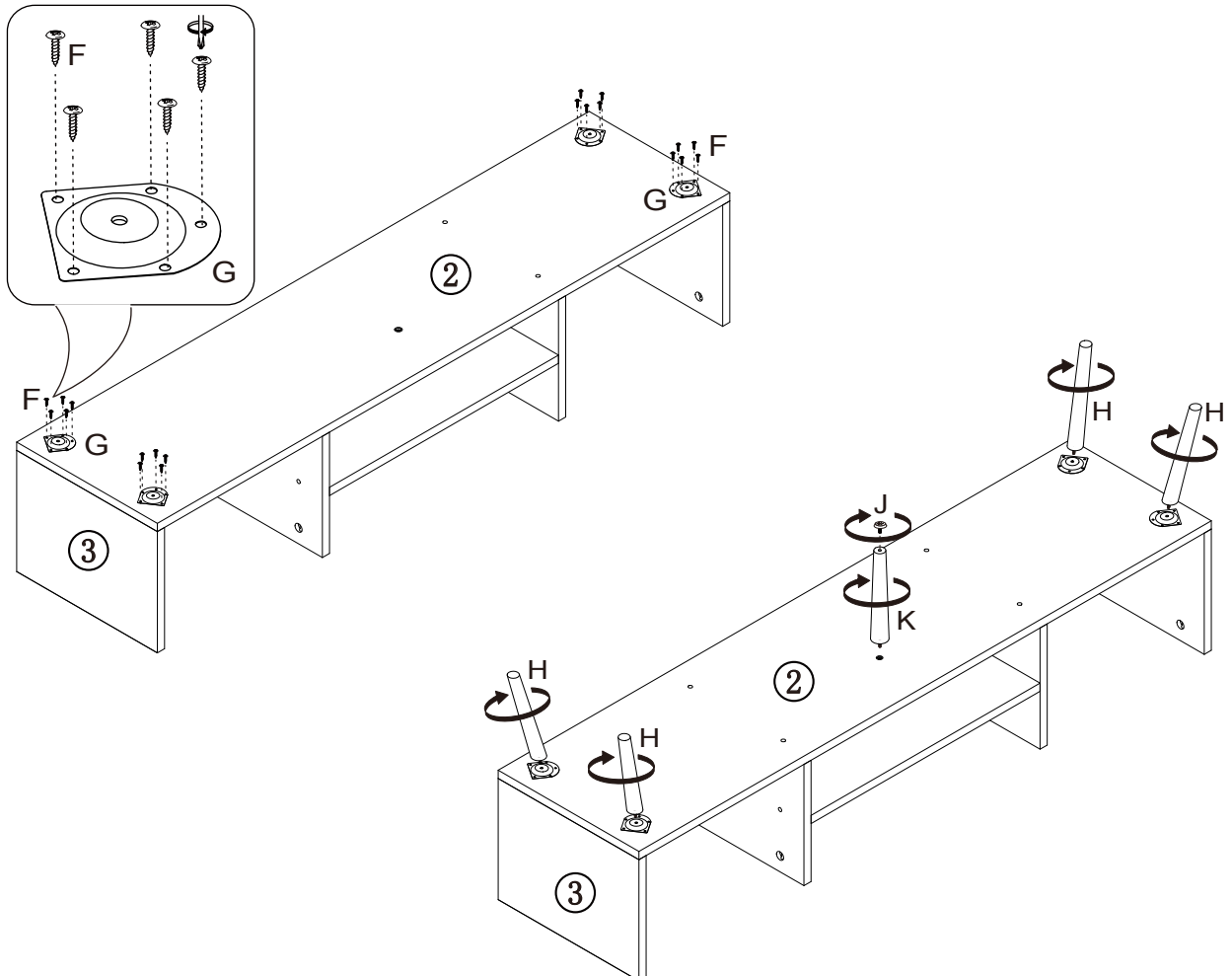
- | | | | |
|---|---|---|---|
|  |  |  |  |
| A × 8 | B × 8 | C × 20 | D × 2 |
|  |  |  |  |
| E × 12 | F × 20 | G × 4 | H × 4 |
|  |  |  |  |
| I × 18 | J × 1 | K × 1 | L × 2 |
|  |  |  |  |
| M × 2 | N × 2 | O × 2 | P × 1 |
|  |  | | |
| Q × 1 | R × 2 | | |



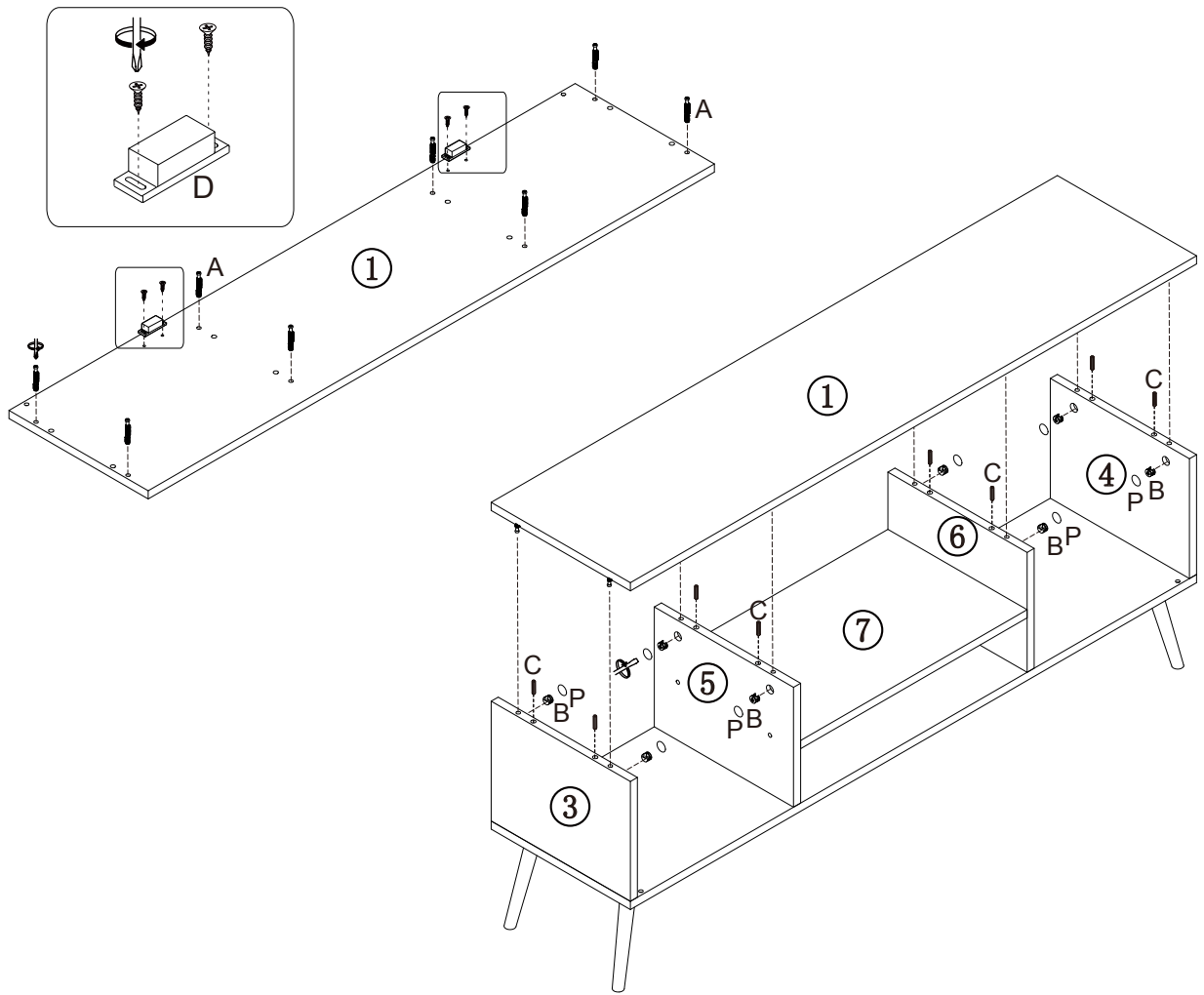
1



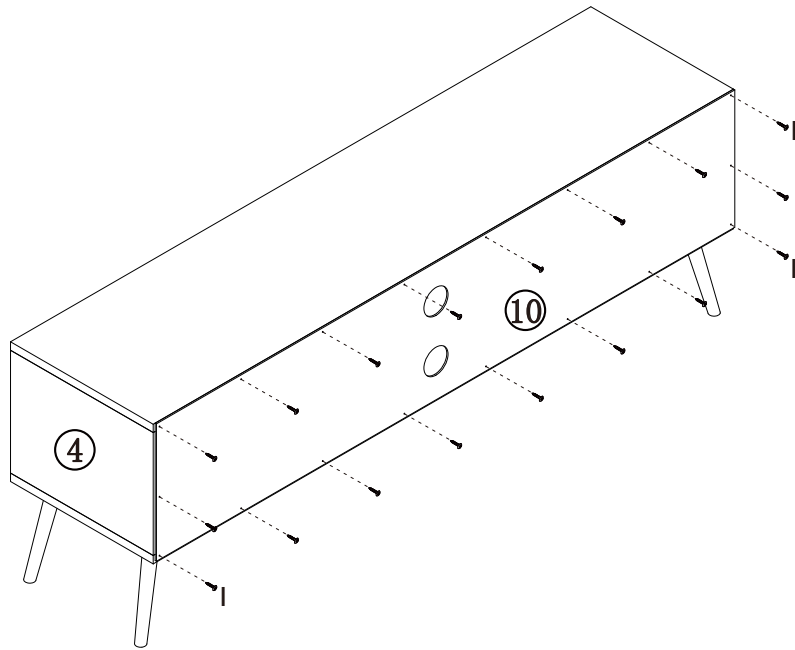
2



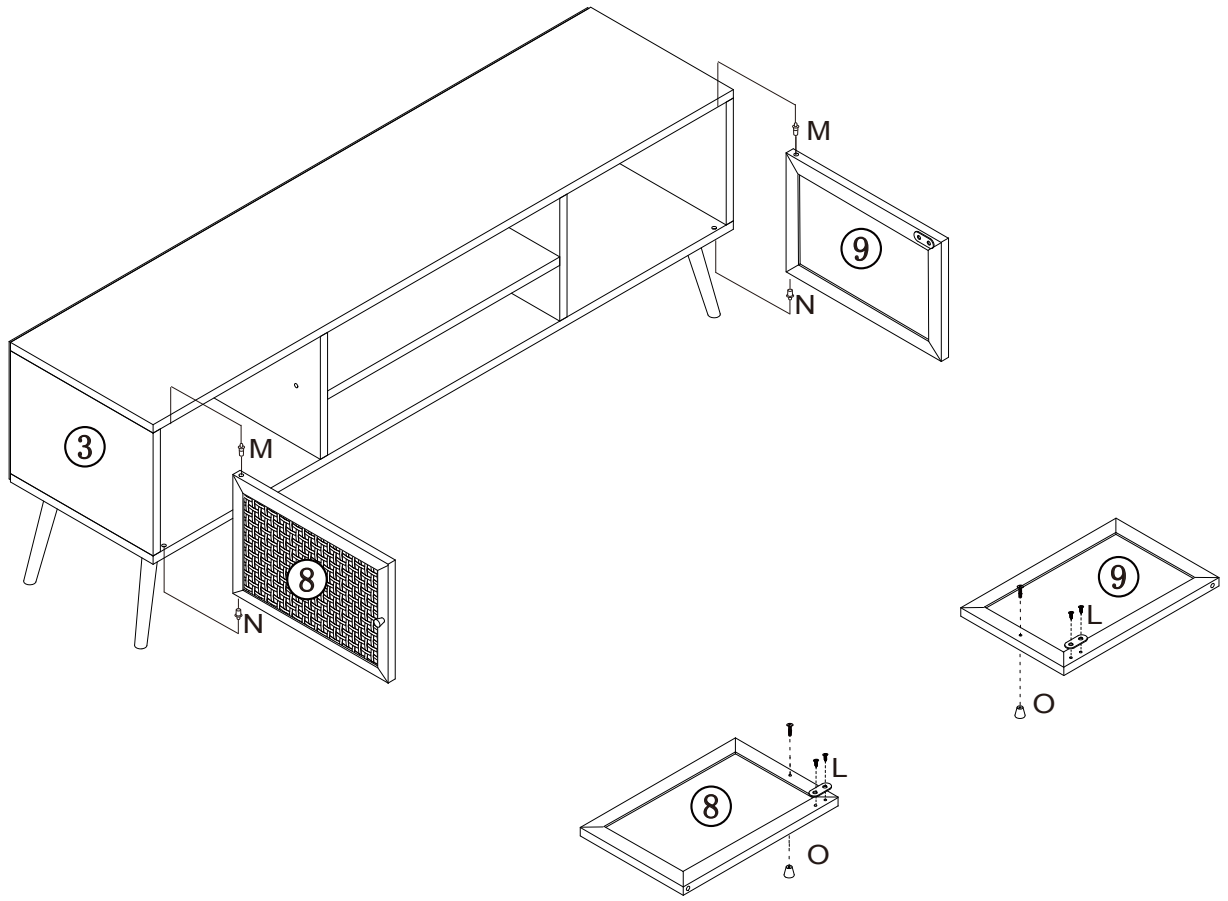
3



4



5



6

