

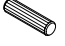





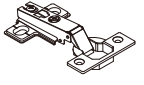

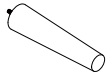
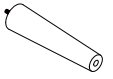

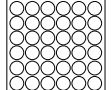



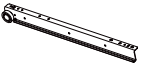
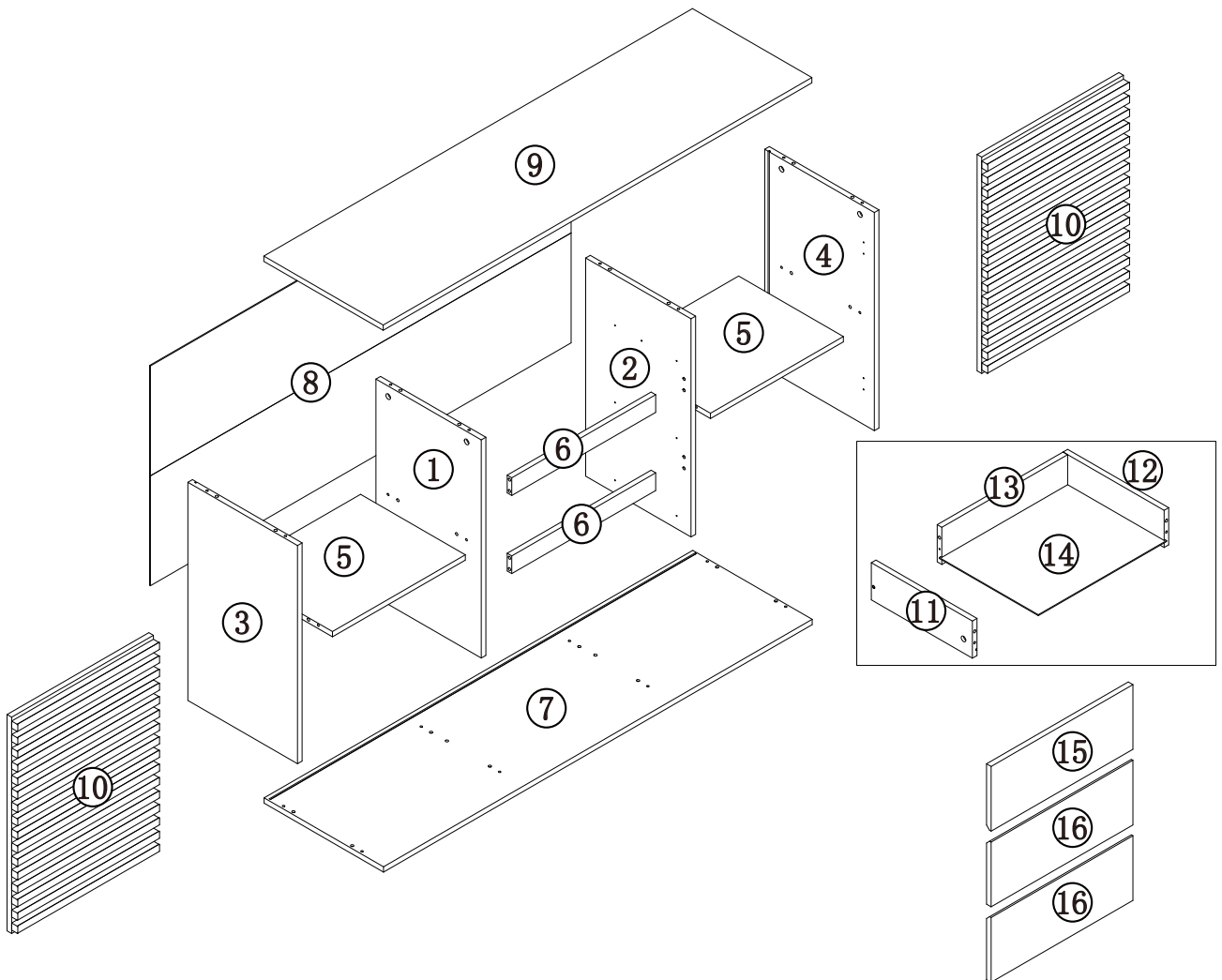
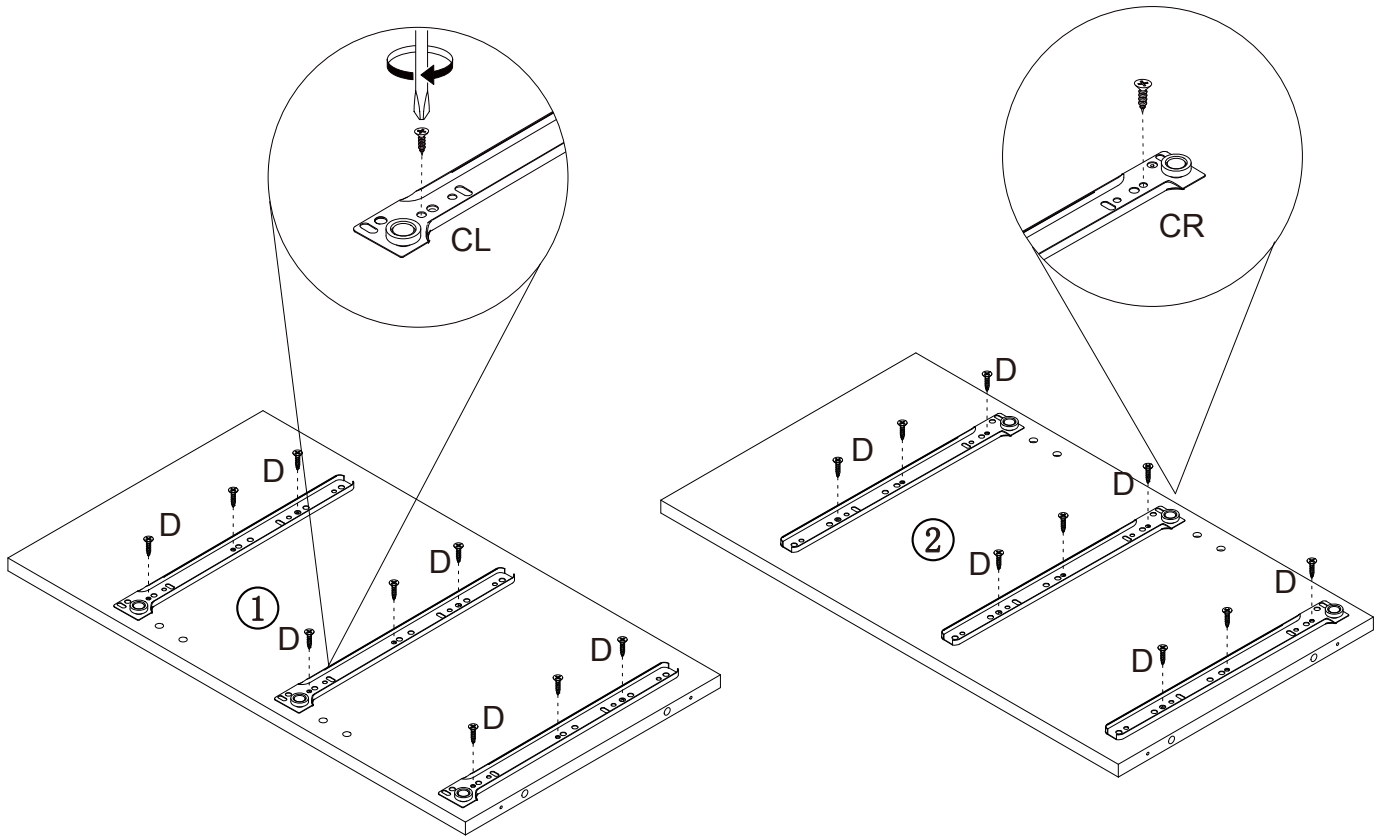


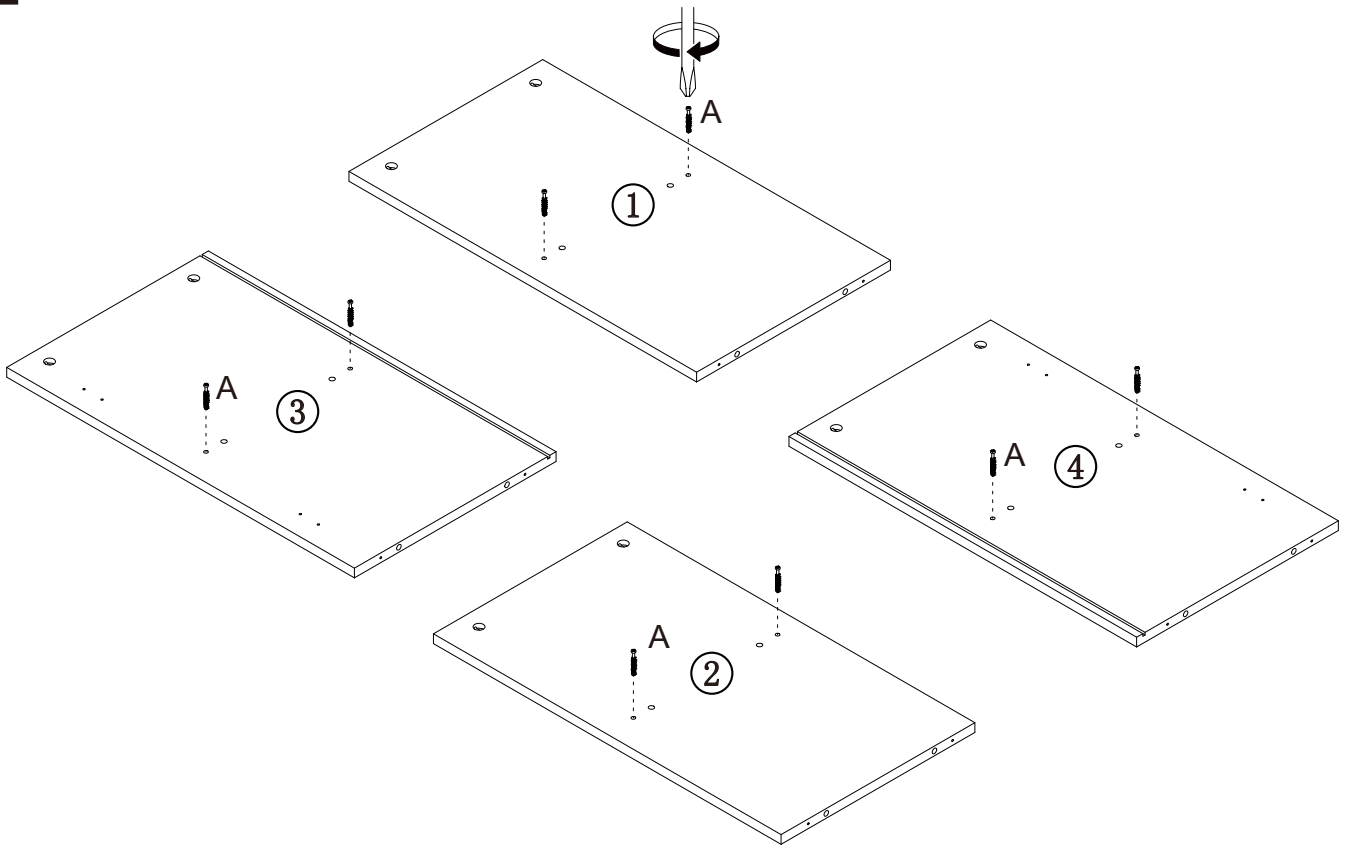
- | | | |
|---|---|---|
|  |  |  |
| A × 22 | B × 22 | C × 44 |
|  |  |  |
| D × 52 | E × 14 | F × 4 |
|  |  |  |
| G × 20 | H × 10 | I × 4 |
|  |  |  |
| J × 2 | K × 4 | L × 2 |
|  |  |  |
| M × 2 | N × 1 | CL × 3 |
|  |  |  |
| CR × 3 | DL × 3 | DR × 3 |



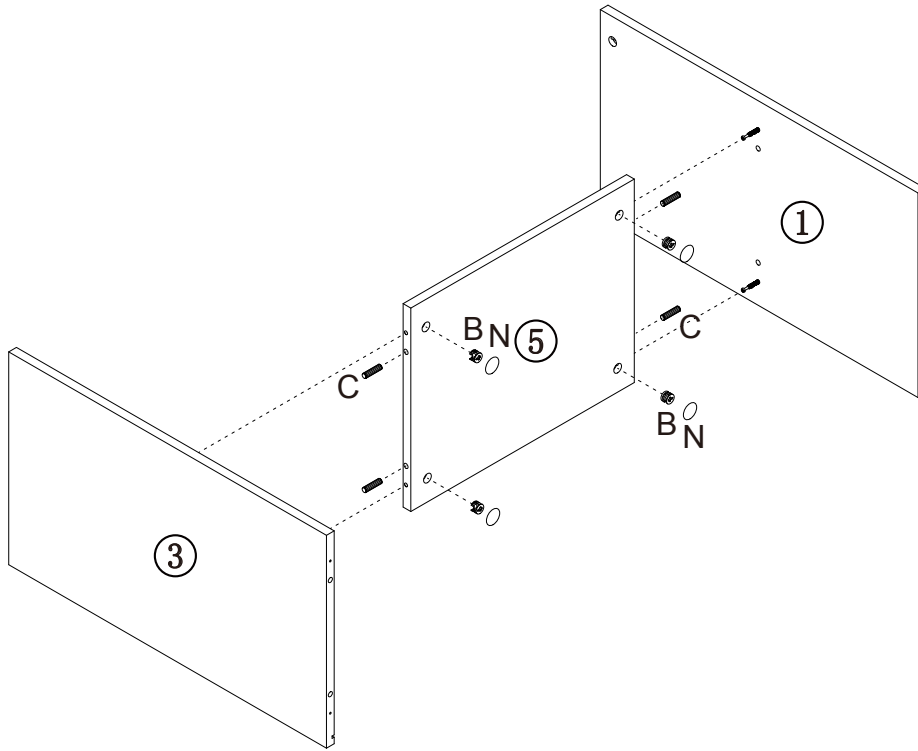
1



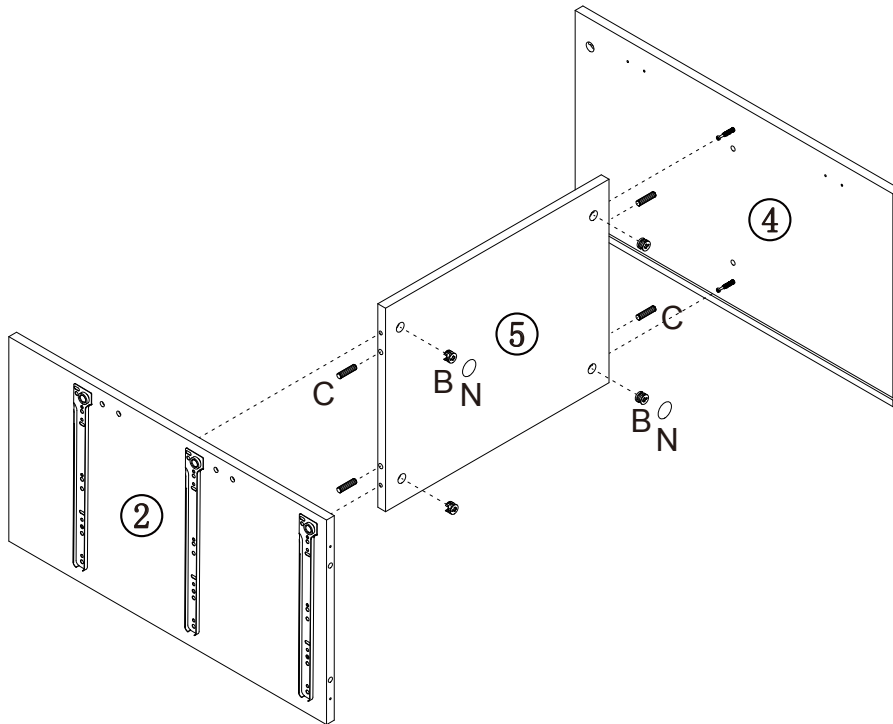
2



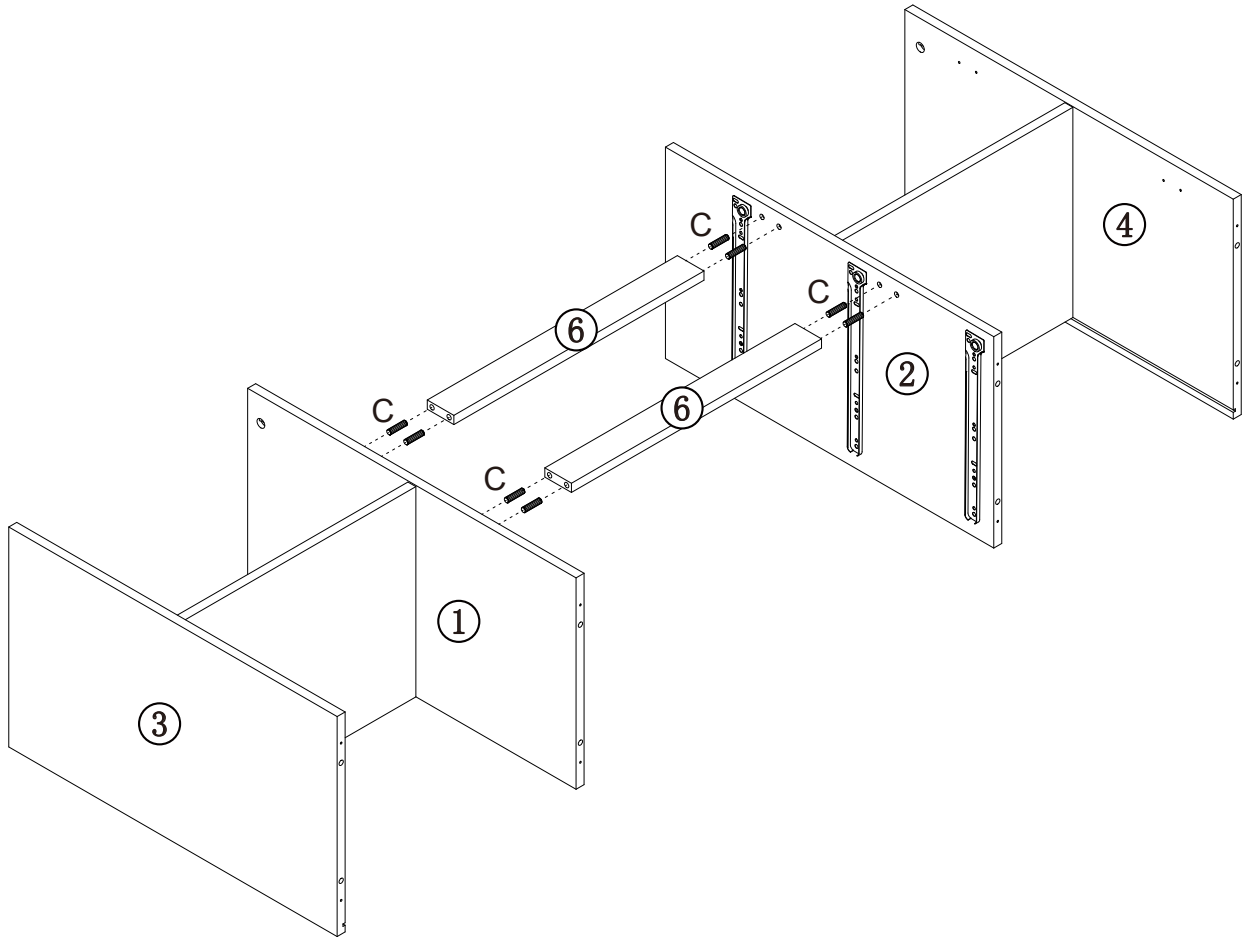
3



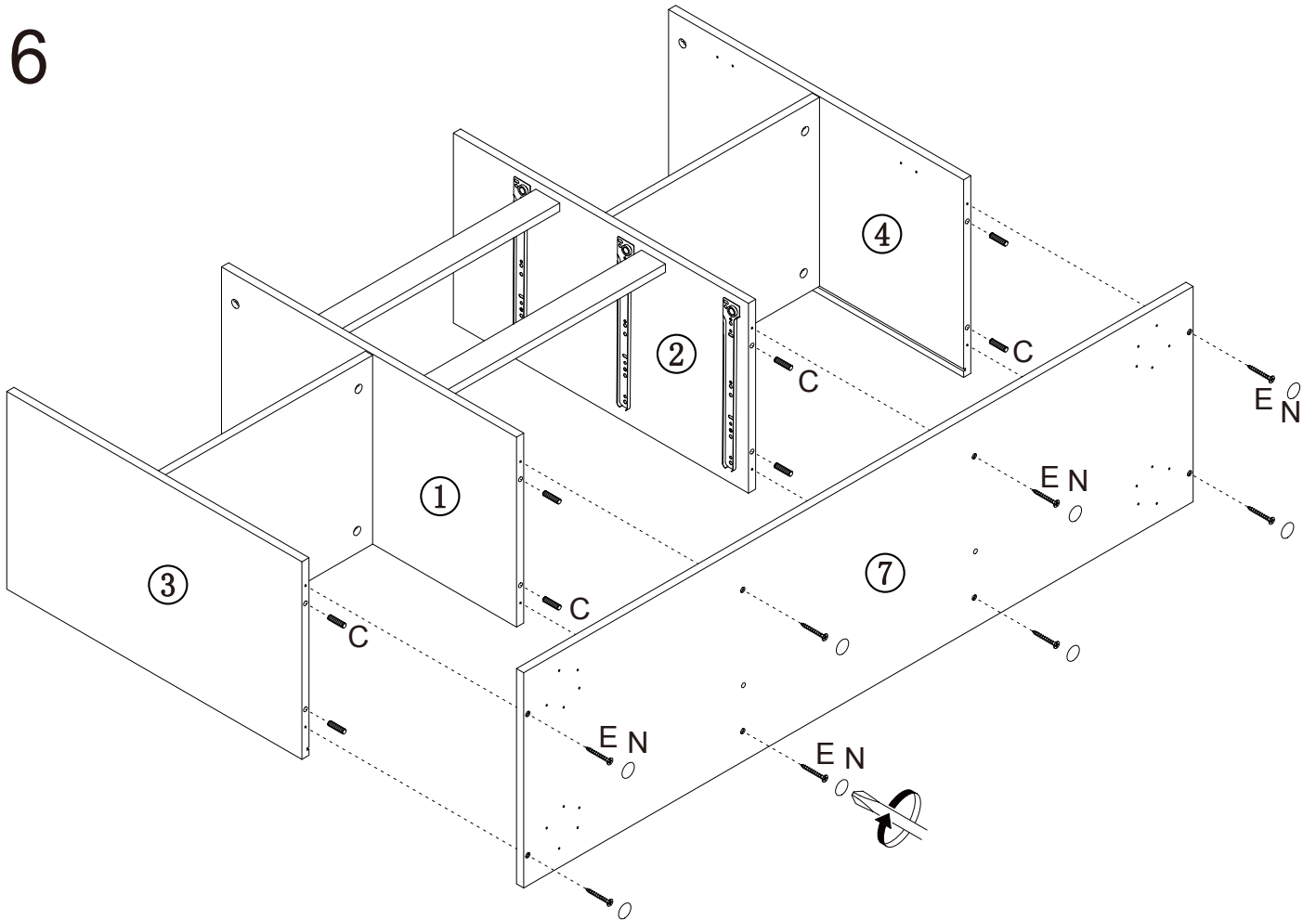
4



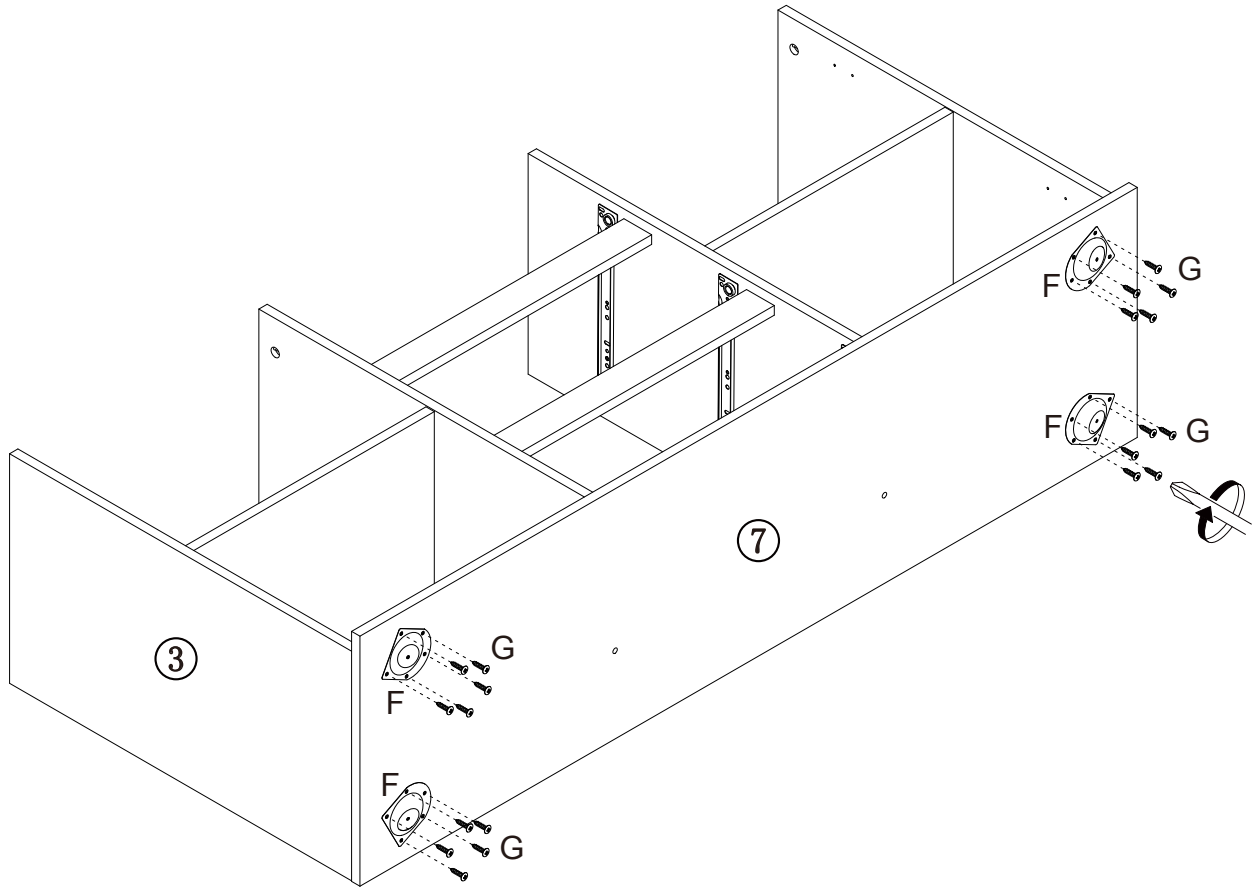
5



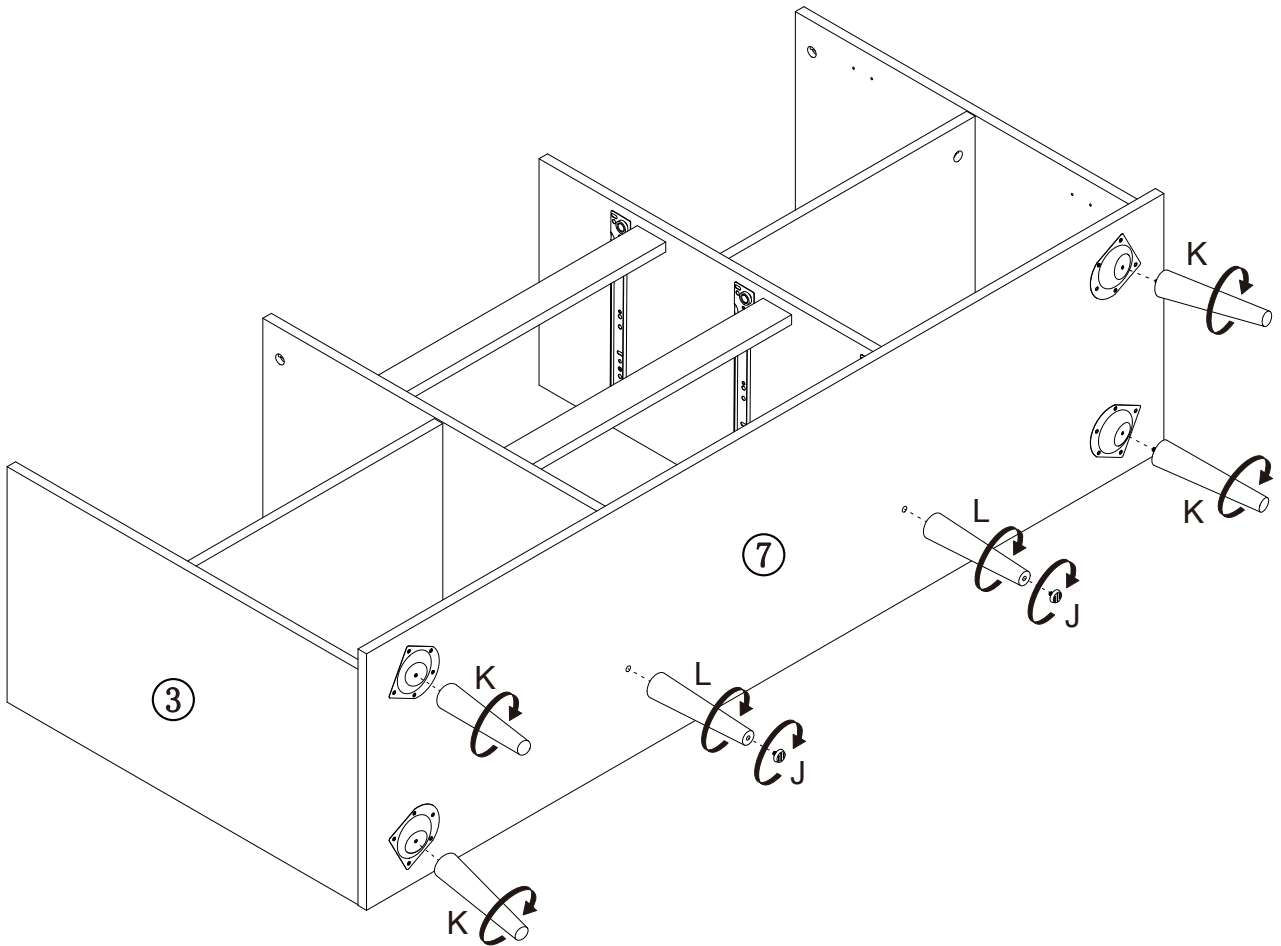
6



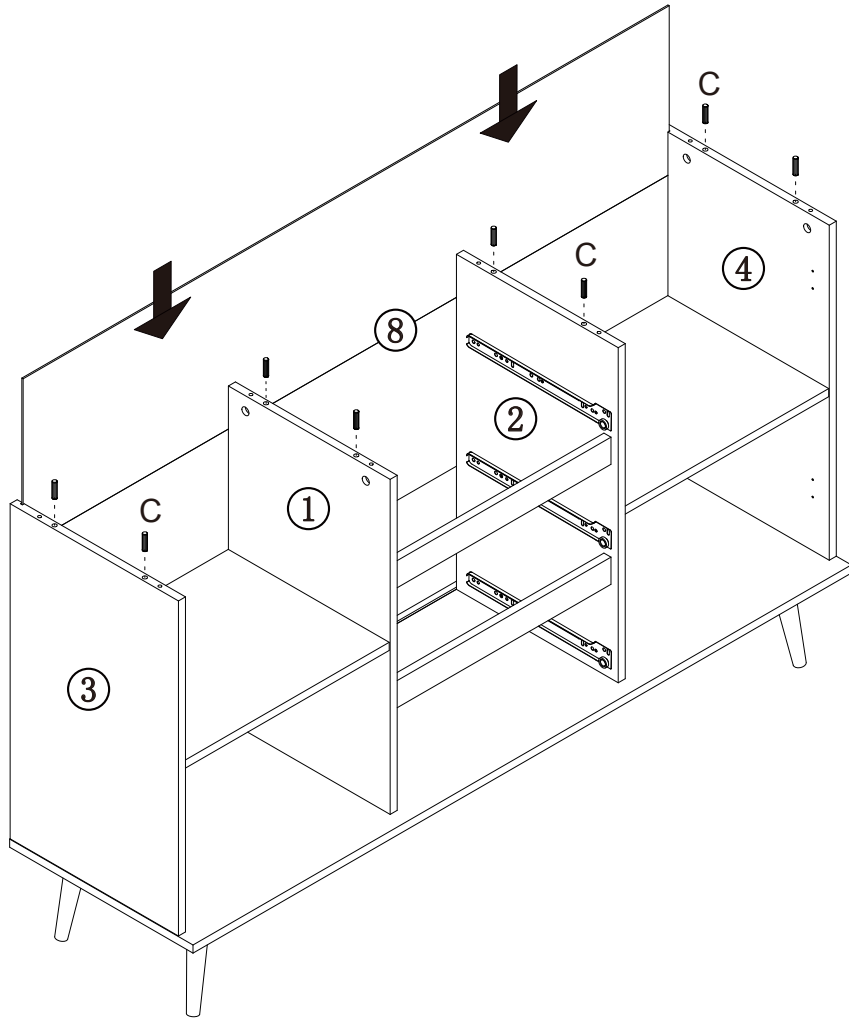
7



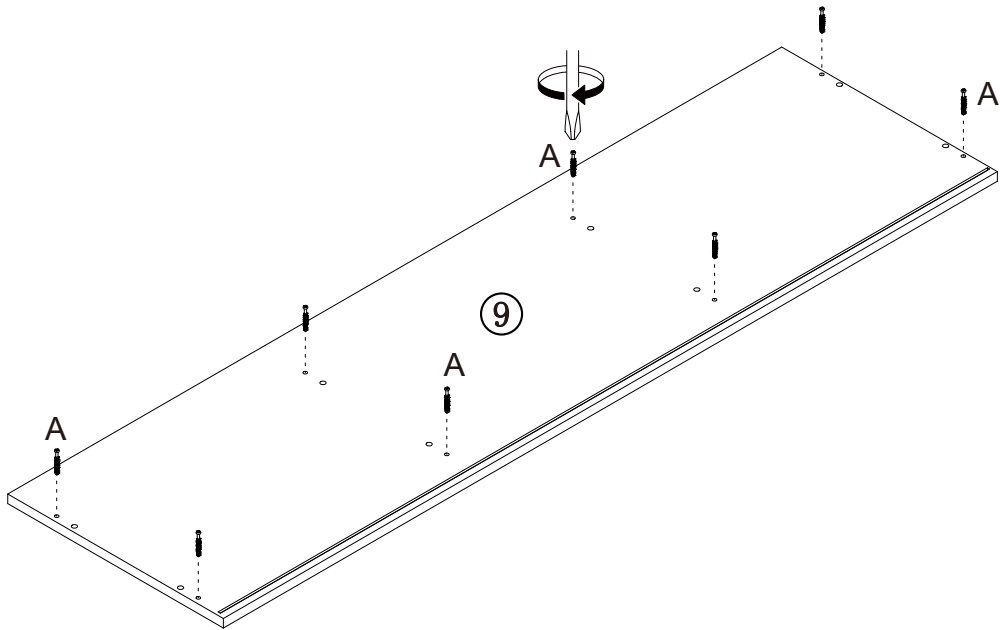
8



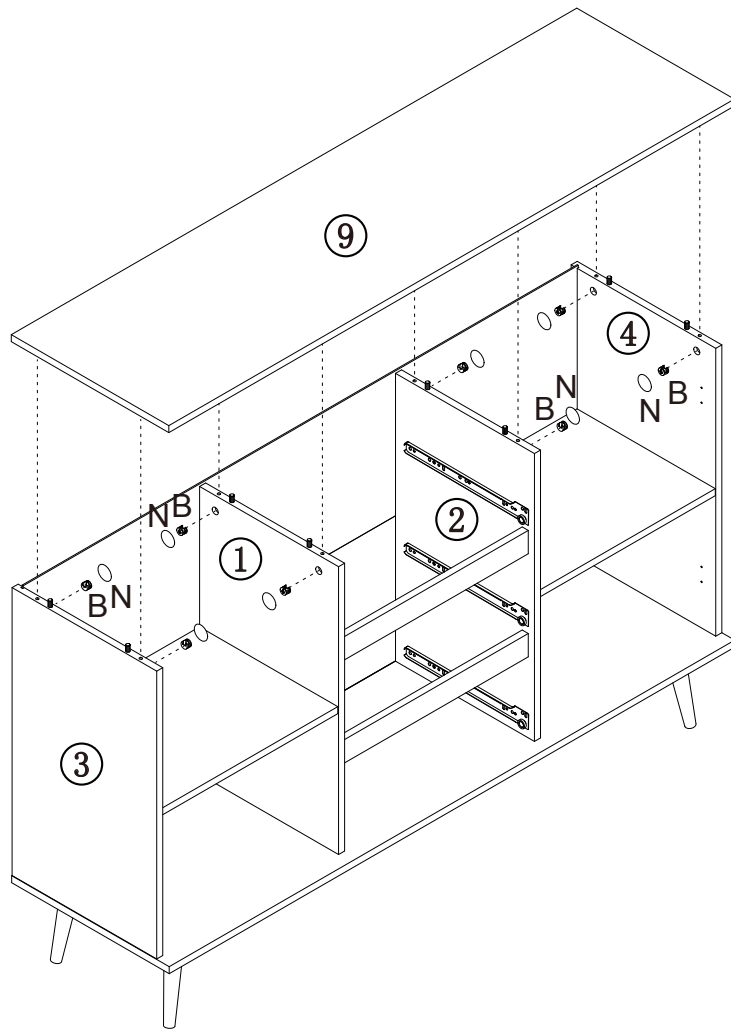
9



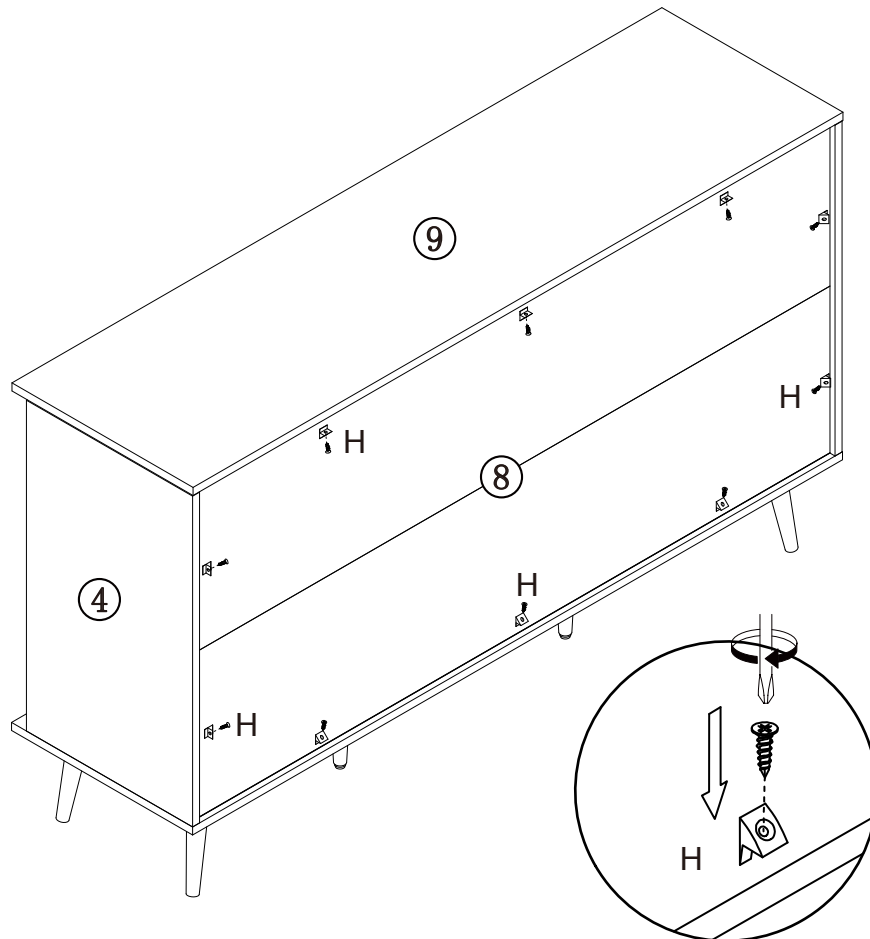
10



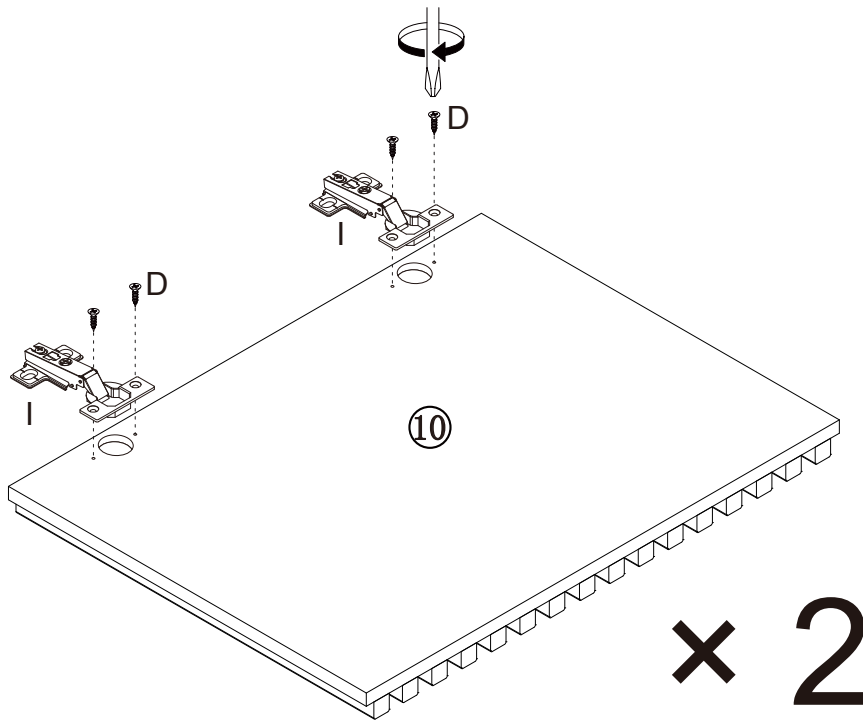
11



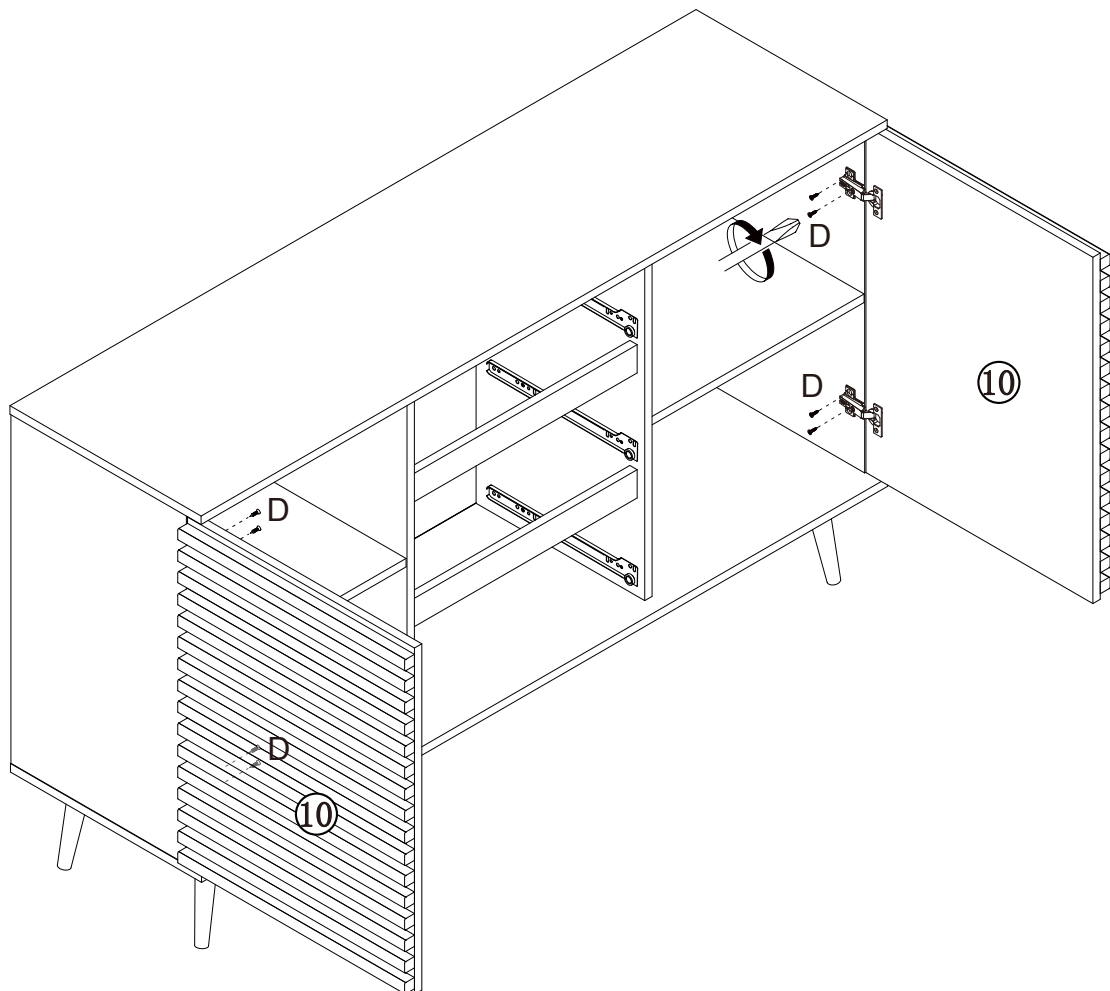
12



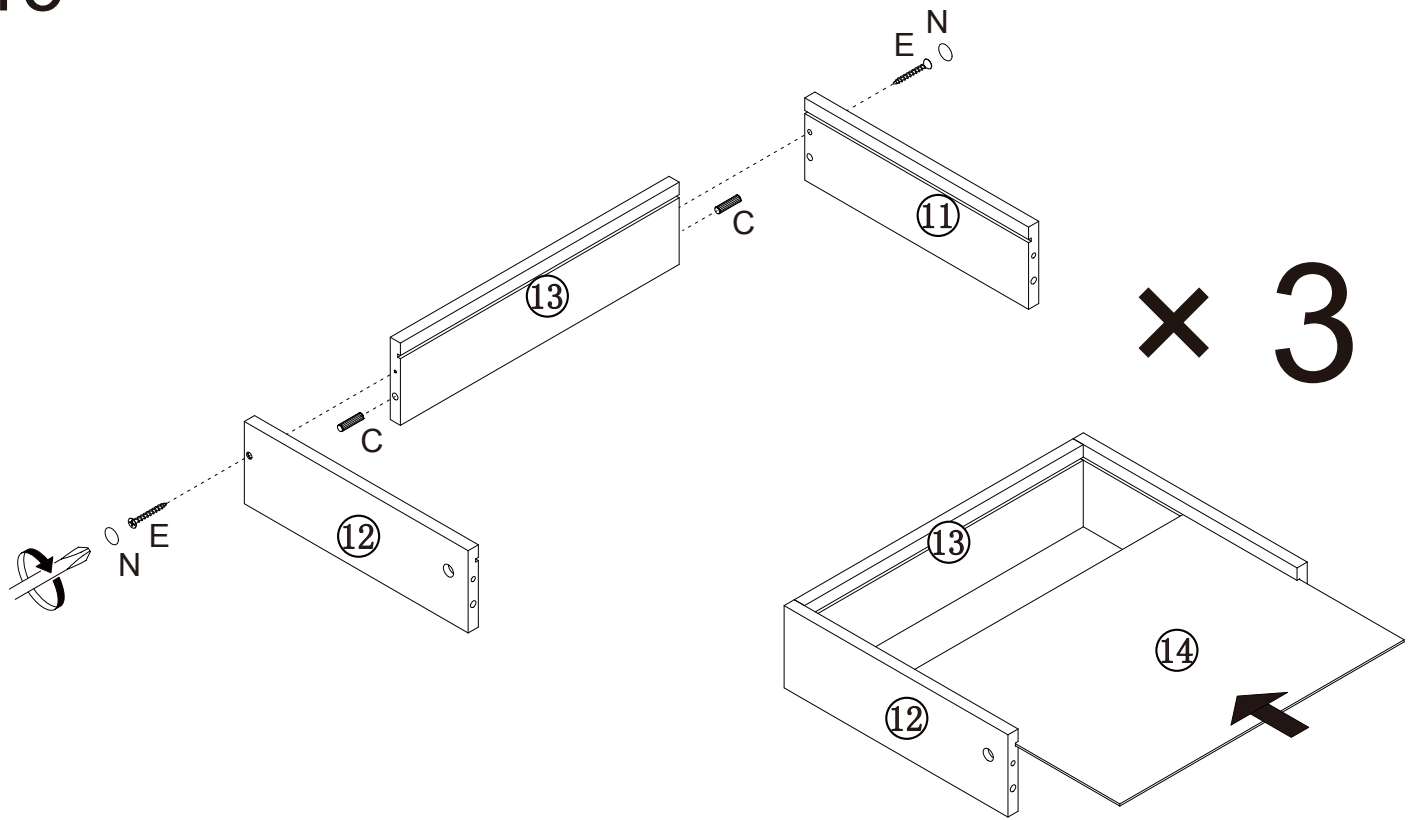
13



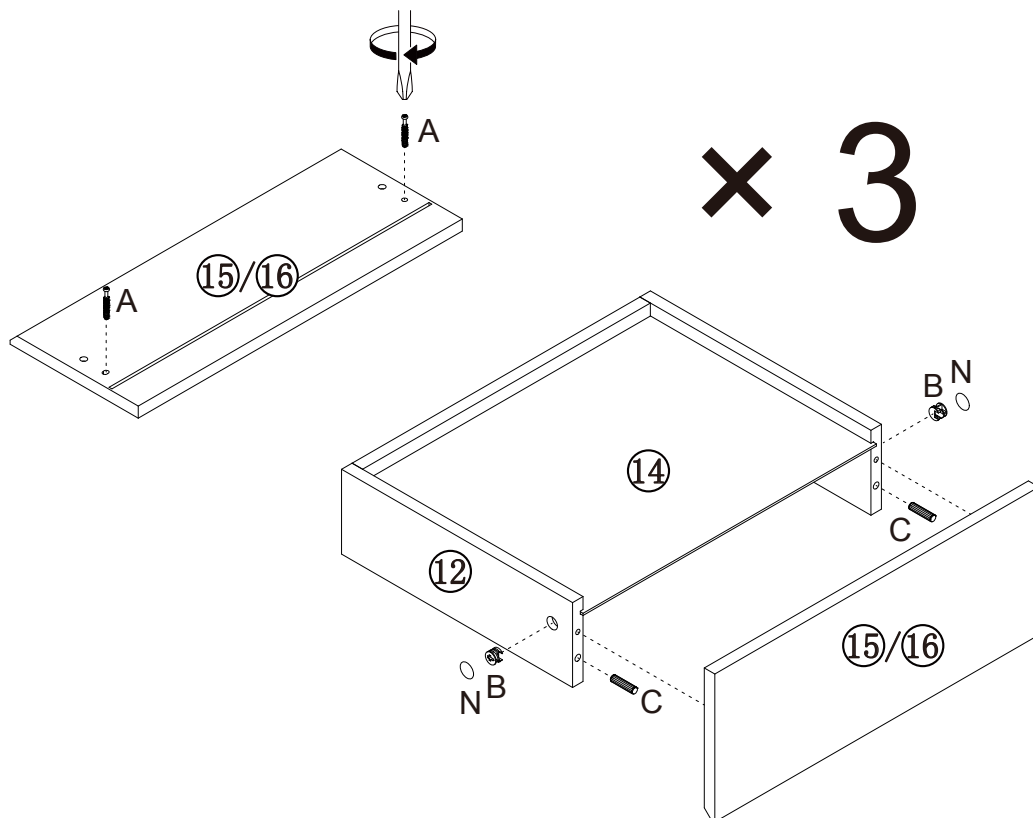
14



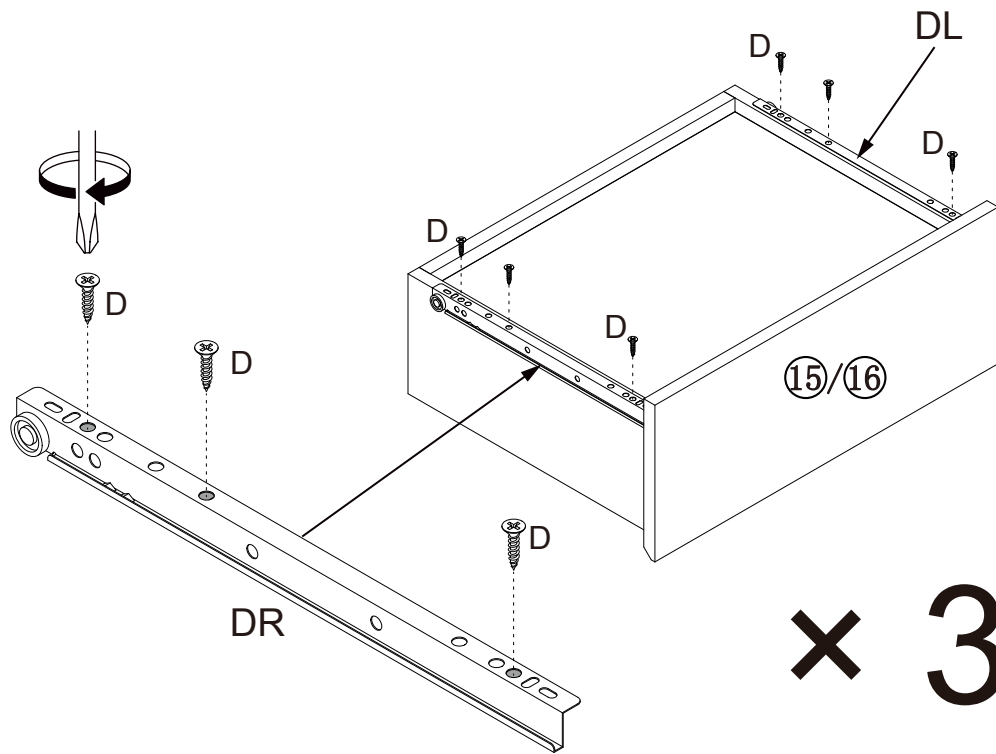
15



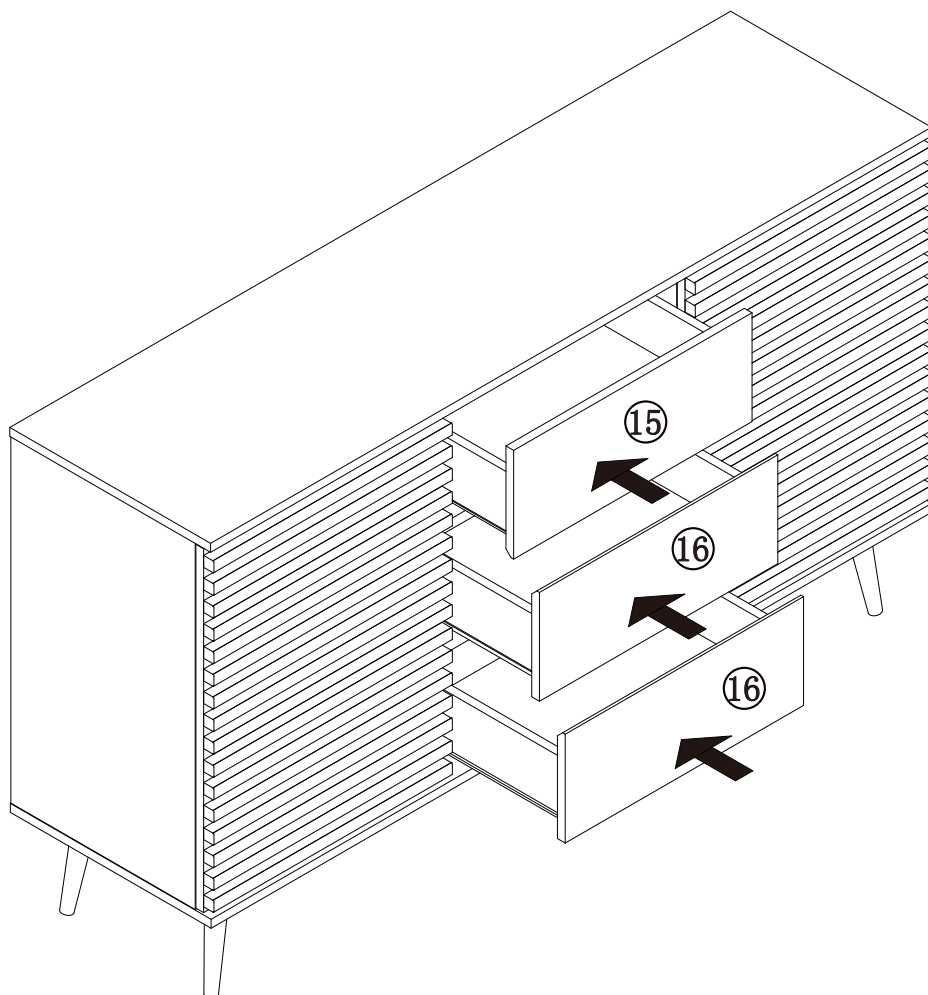
16



17



18



19

Απαραίτητη η στήριξη στον τοίχο
Mounting to the wall is required
Необходимо е да бъде захванато за стената

