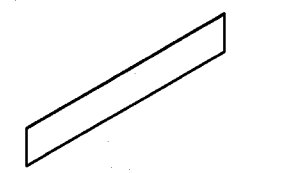
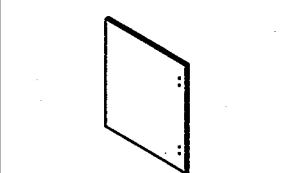
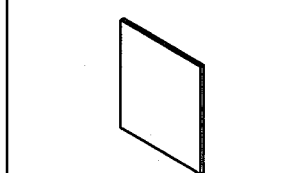
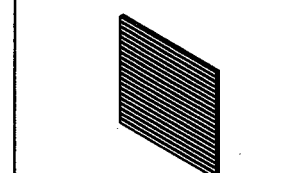
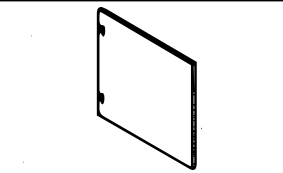
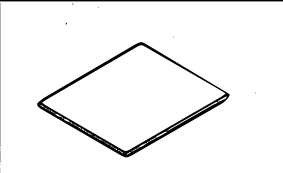
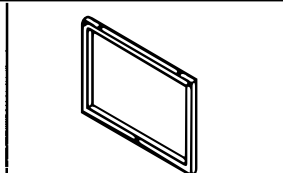
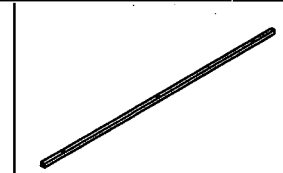
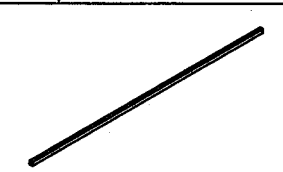
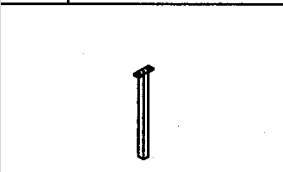
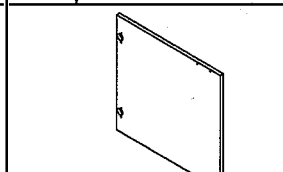
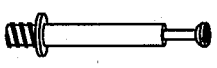













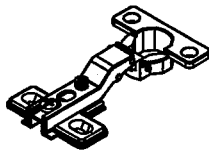
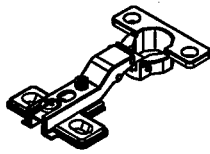
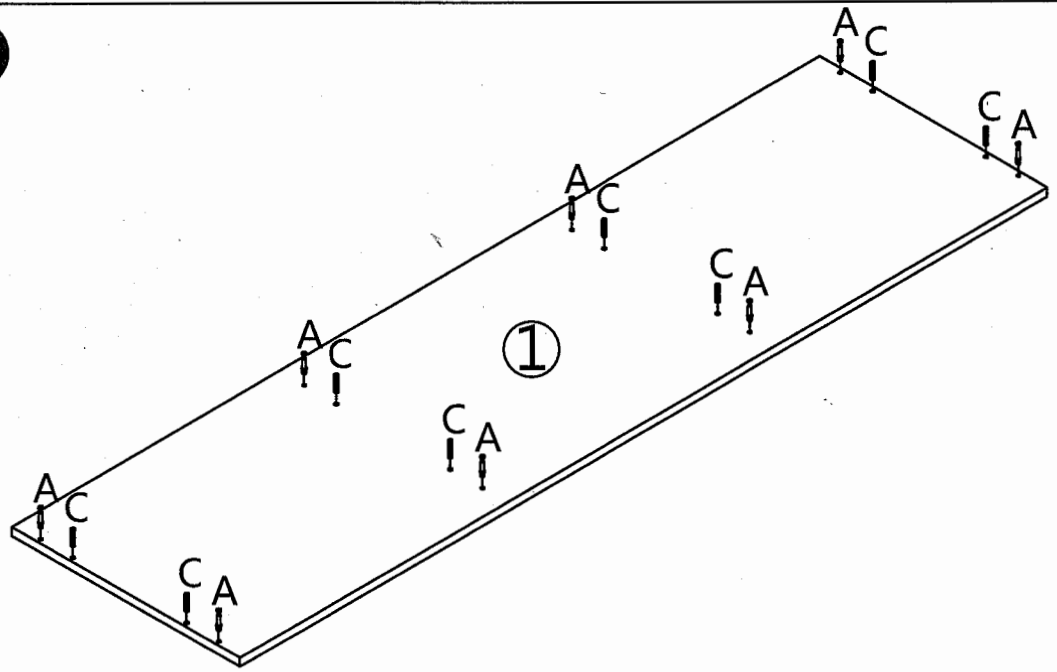

① 1PC	② 1PC	③ 1PC	④ 1PC
			
⑤ 2PCS	⑥ 1PC	⑦ 1PC	⑧ 1PC
			
⑨ 2PCS	⑩ 1PC	⑪ 2PCS	⑫ 2PCS
			
⑬ 1PC	⑭ 1PC	⑮ 1PC	

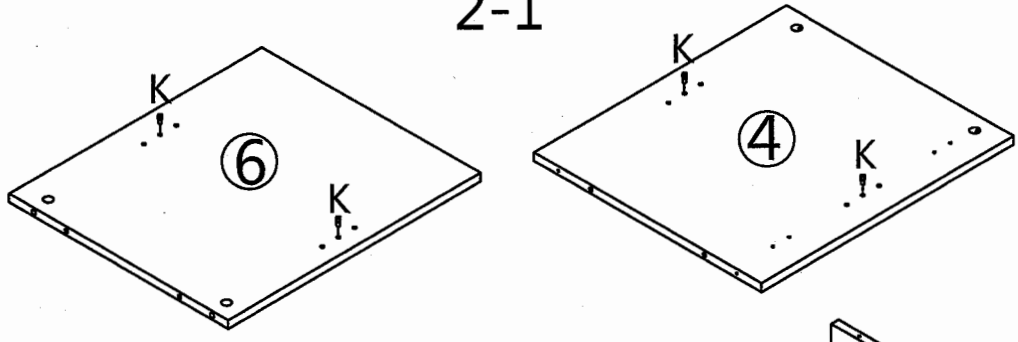
			
(A) 8PCS	(B) 8PCS	(C) 16PCS	(D) 10PCS
			
(E) 1PC	(F) 7PCS	(G) 10PCS	(H) 32PCS
			
(I) 3PCS	(J) 20PCS	(K) 4PCS	(L) 2PCS
			
(M) 2PCS	(N) 2PCS	(O) 4PCS	(P) 2PCS

1

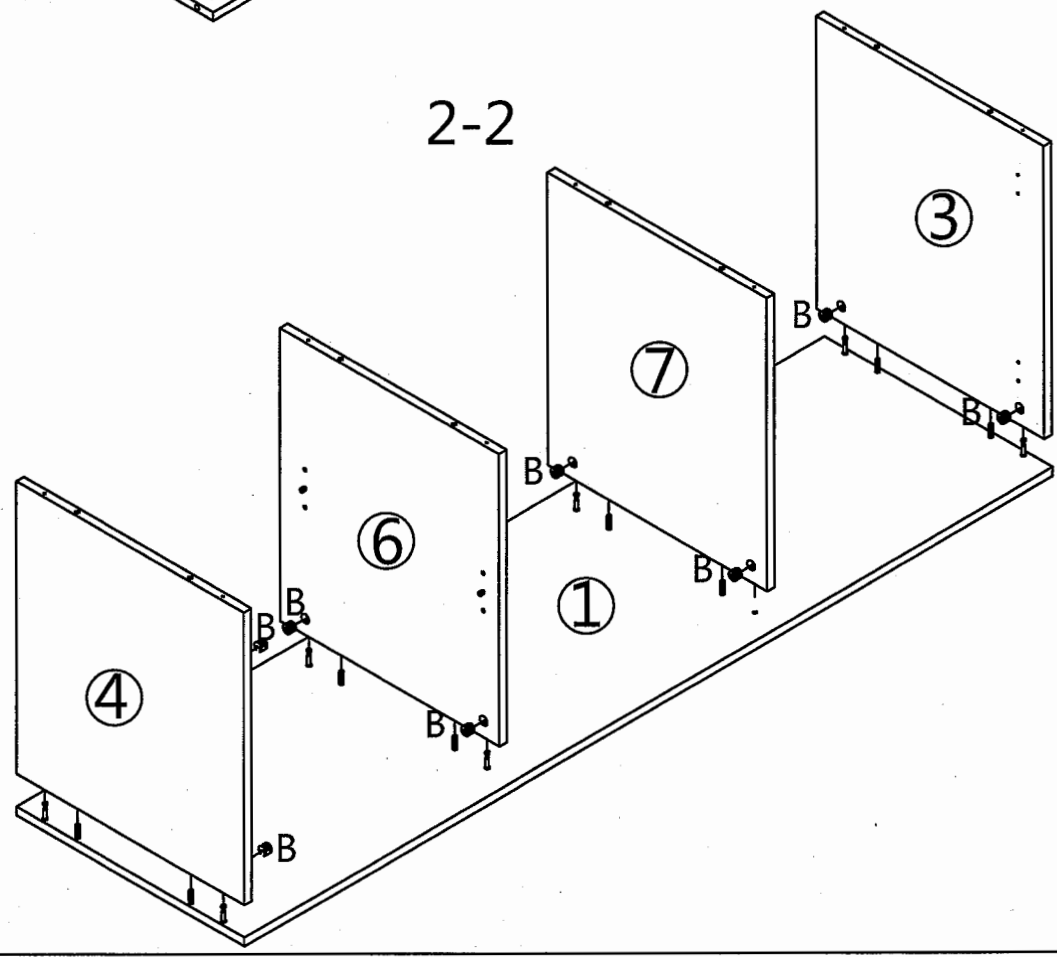


2

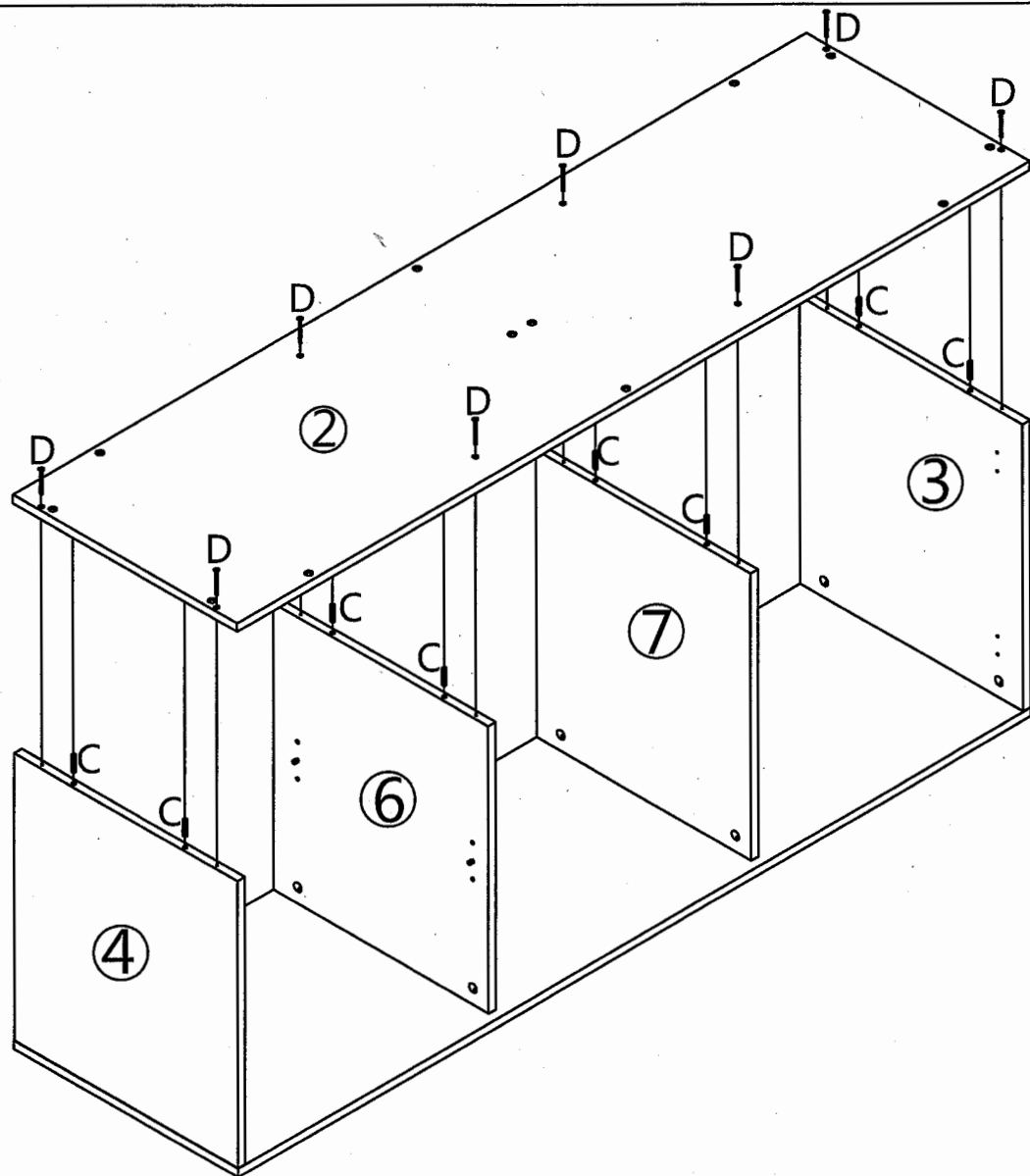
2-1



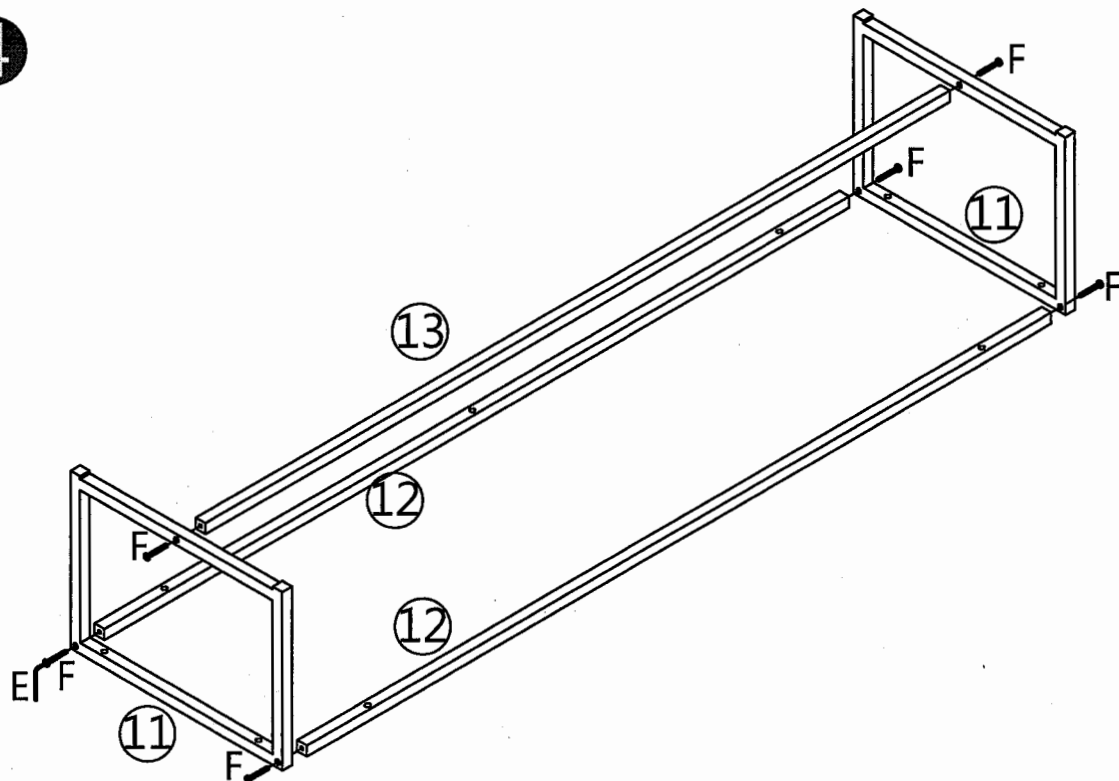
2-2



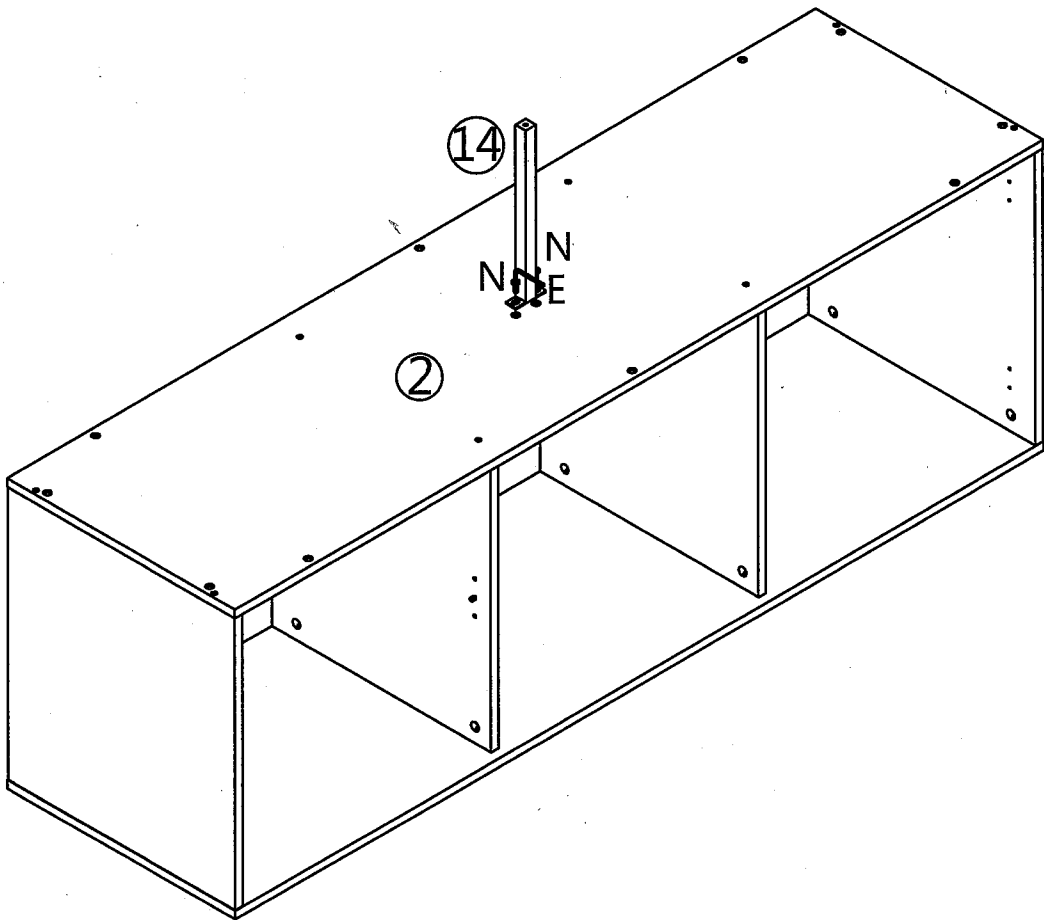
3



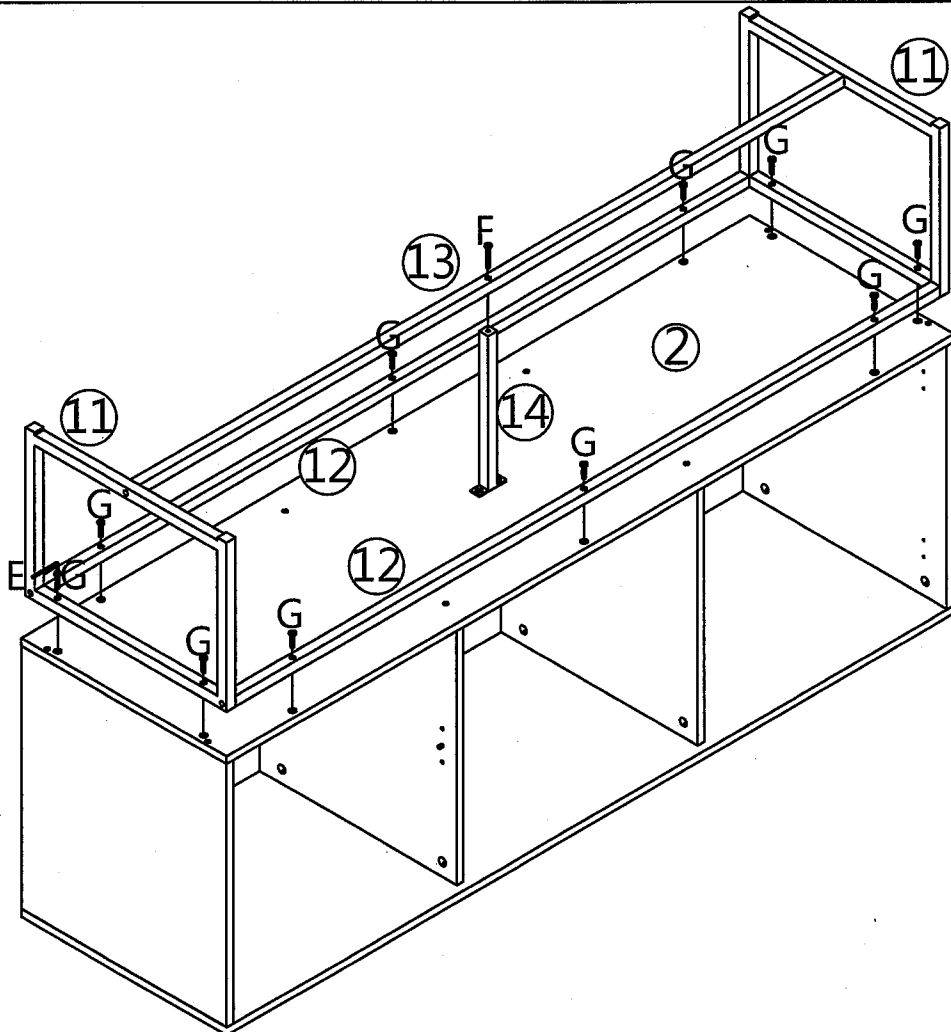
4



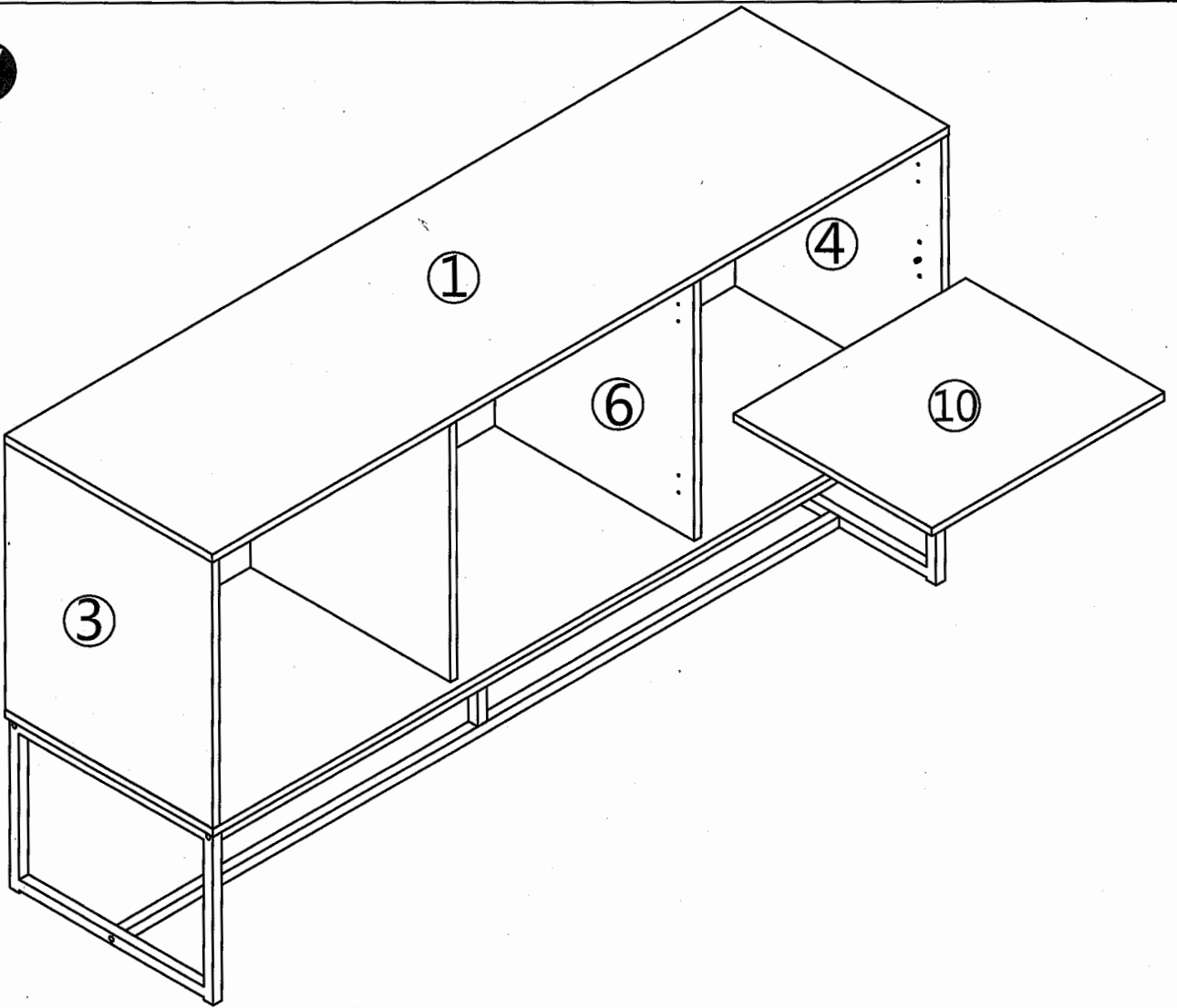
5



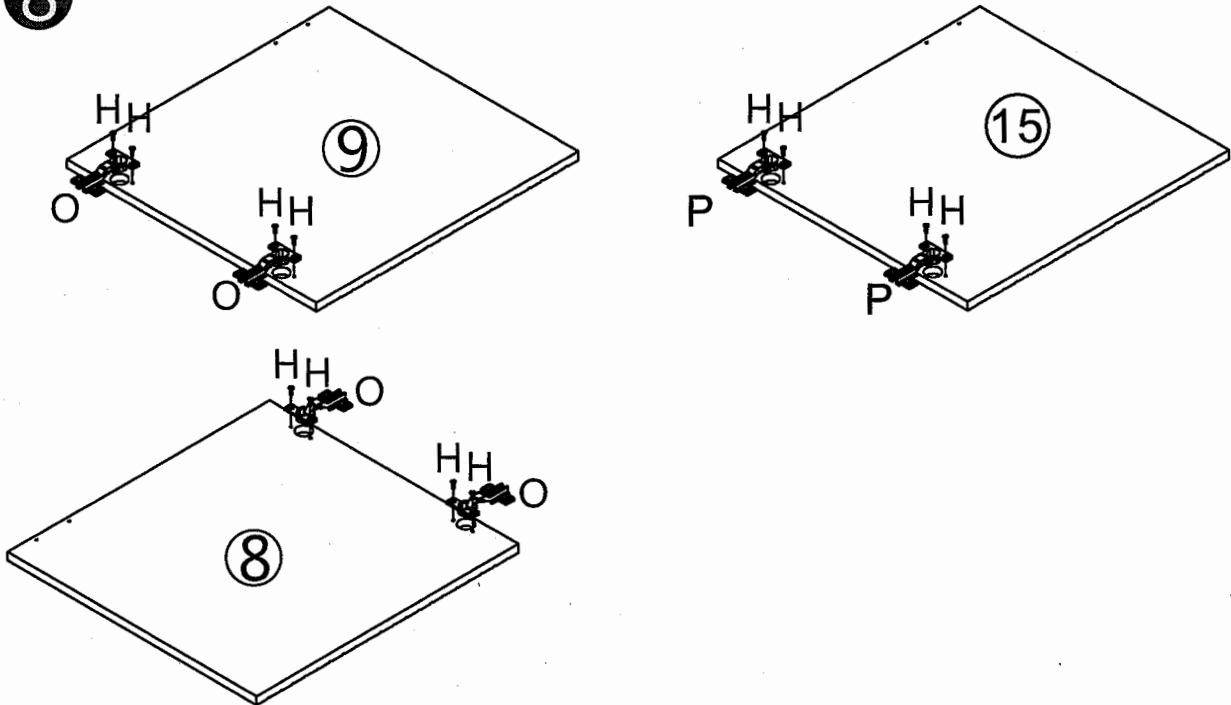
6



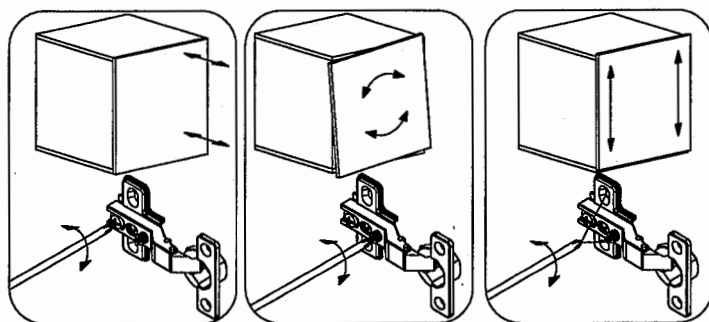
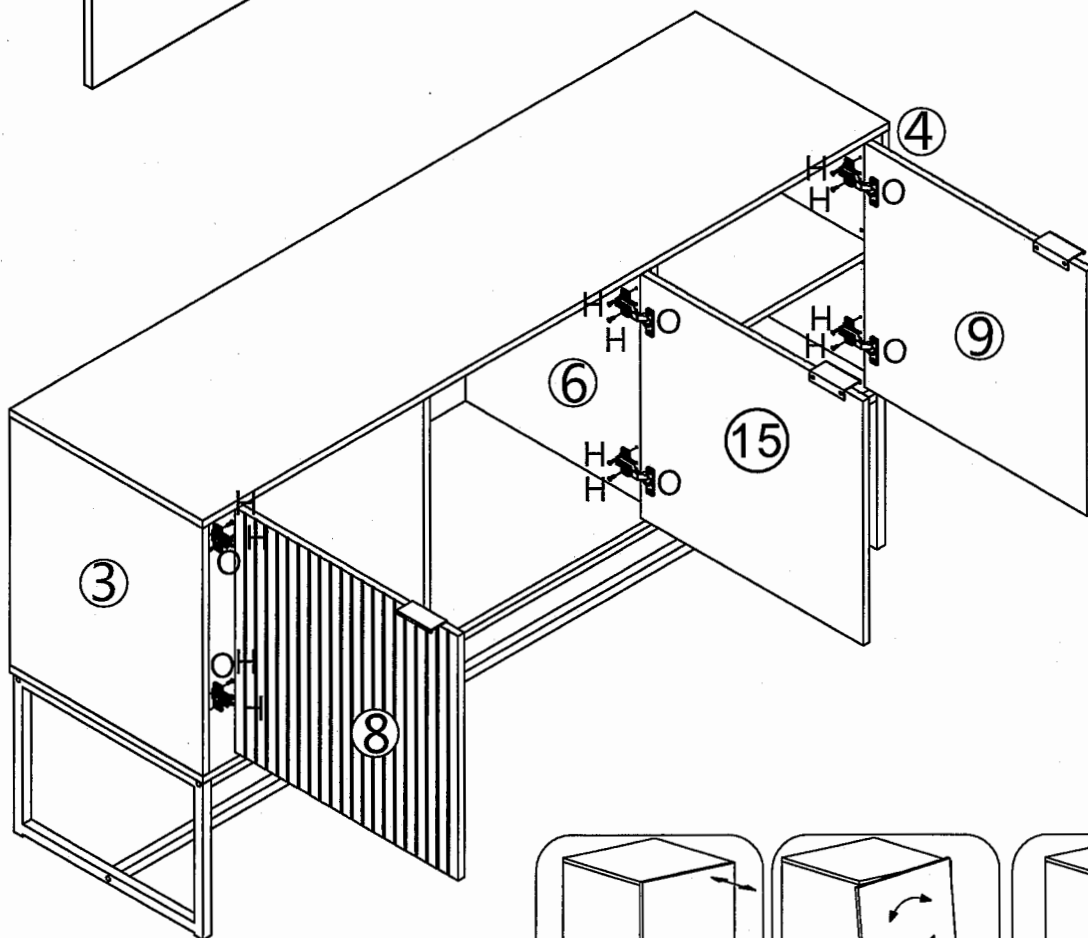
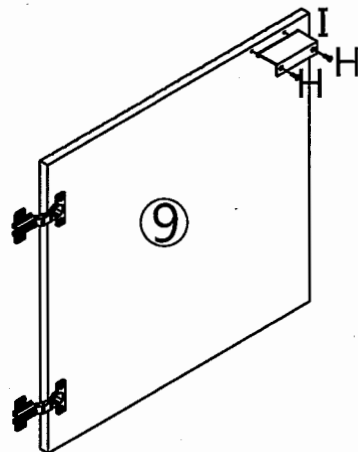
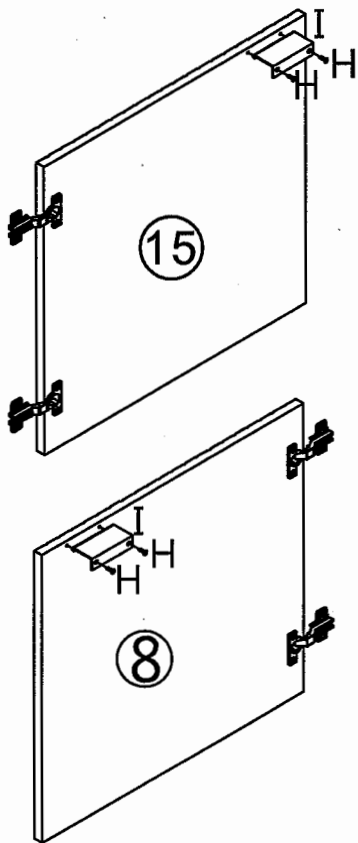
7



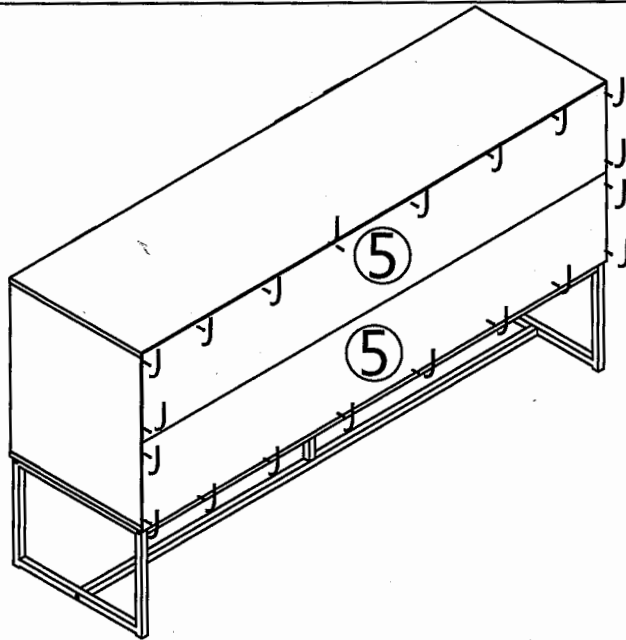
8



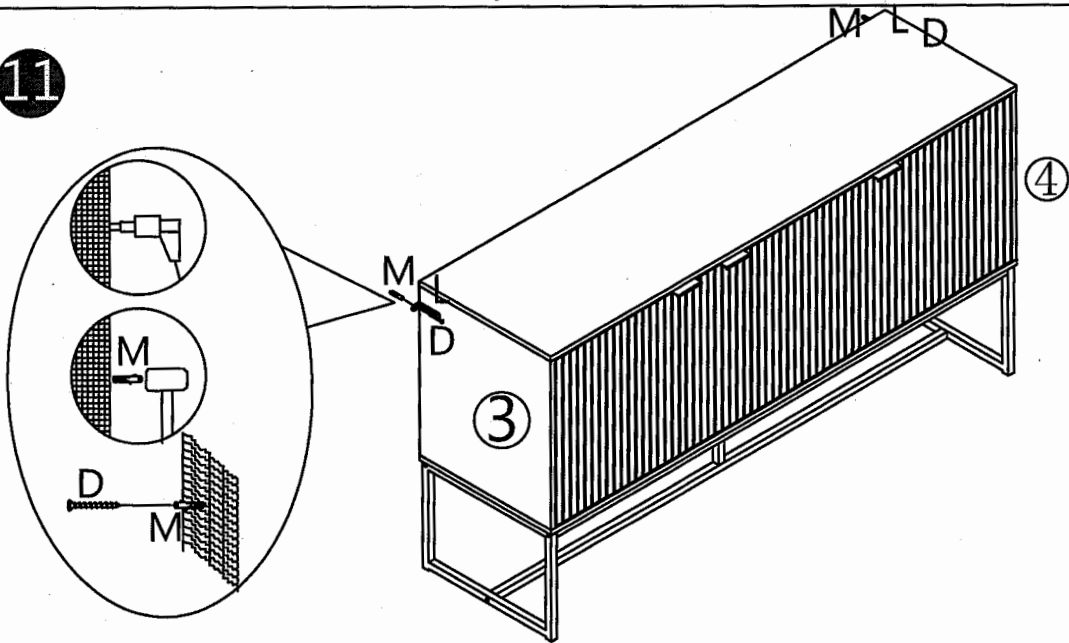
9



10



11



12

