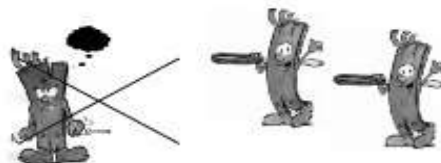
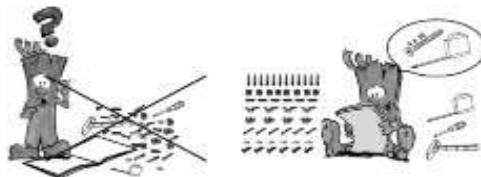
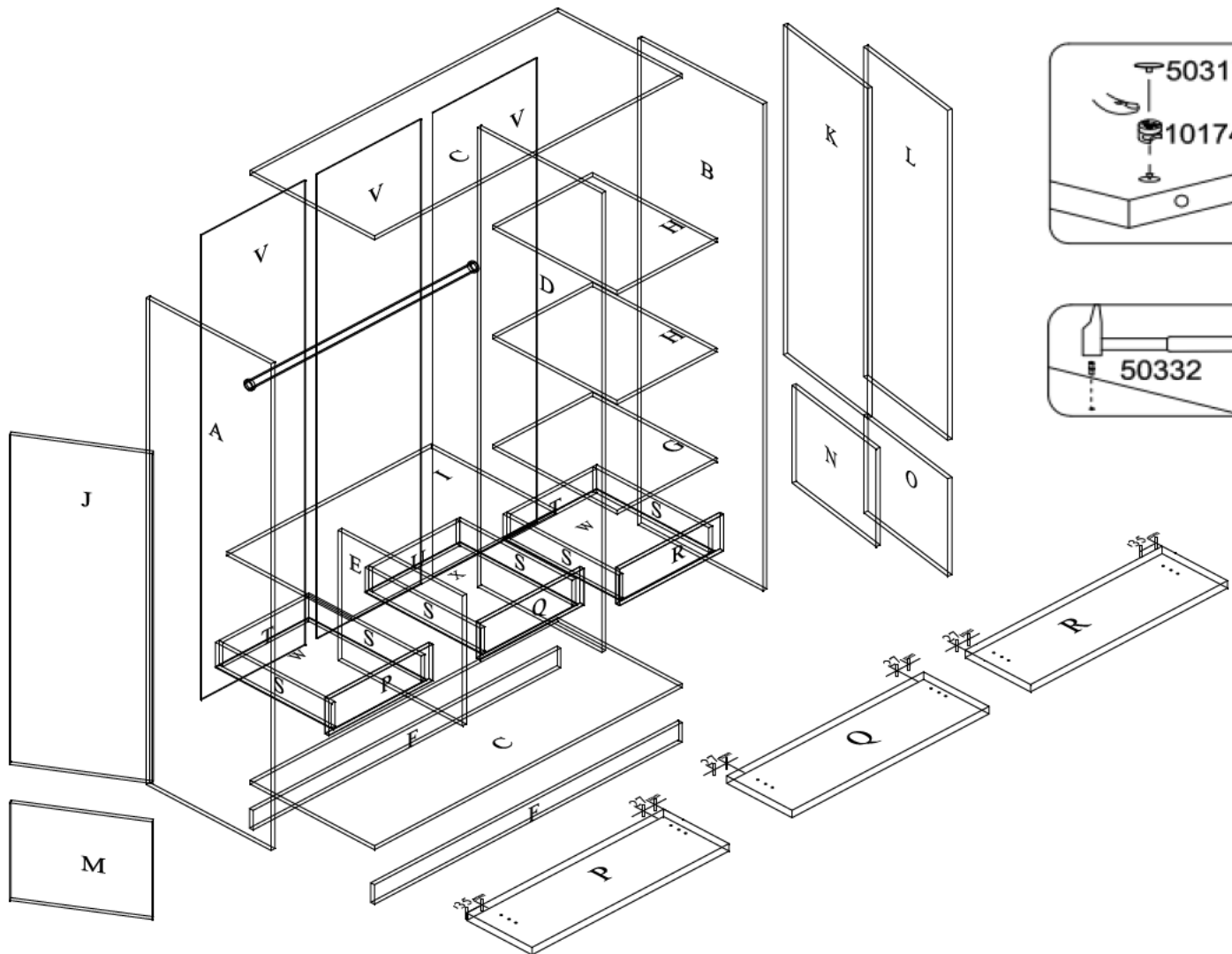
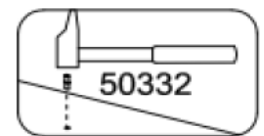
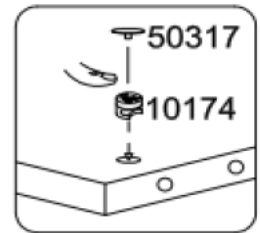
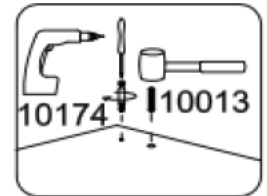


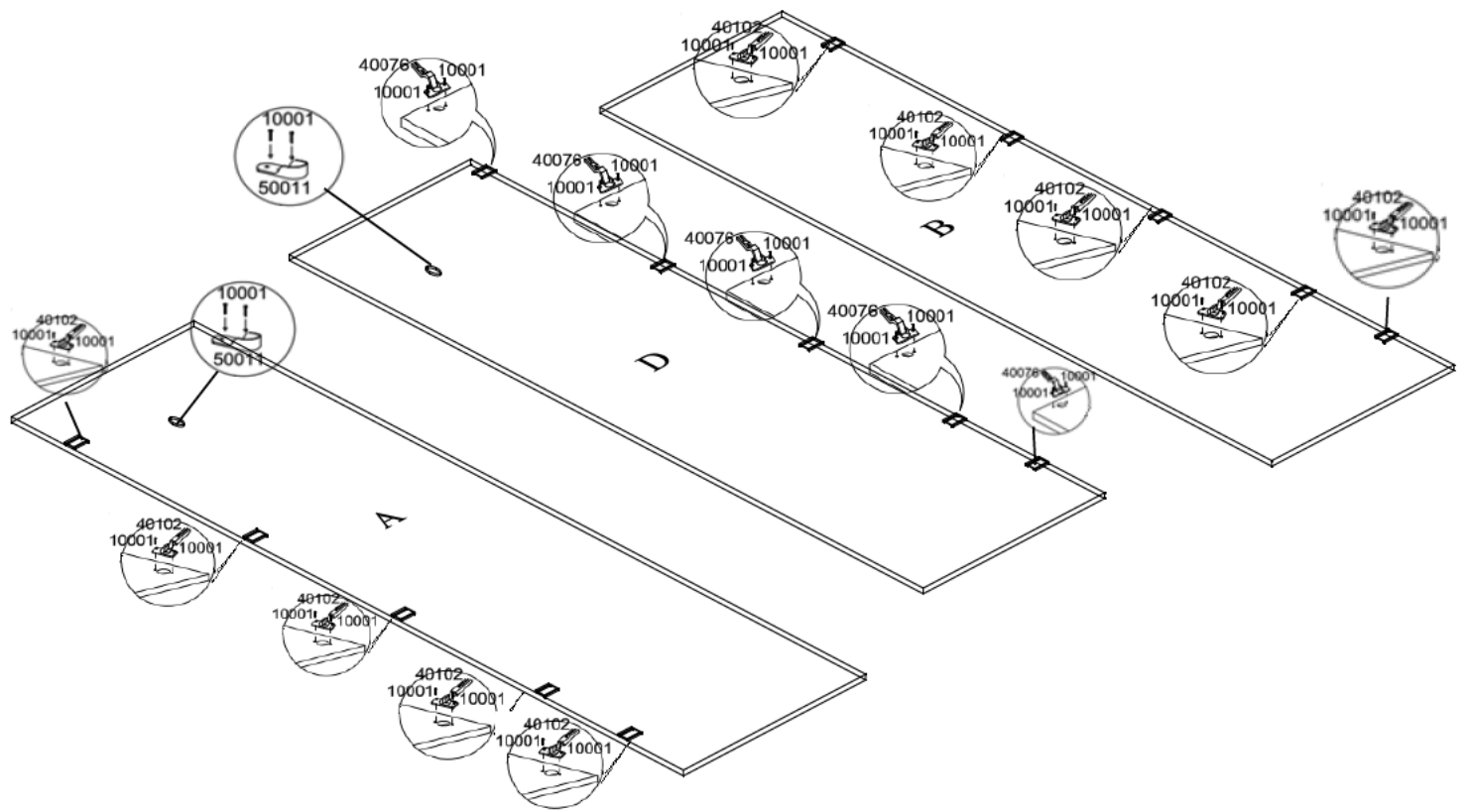
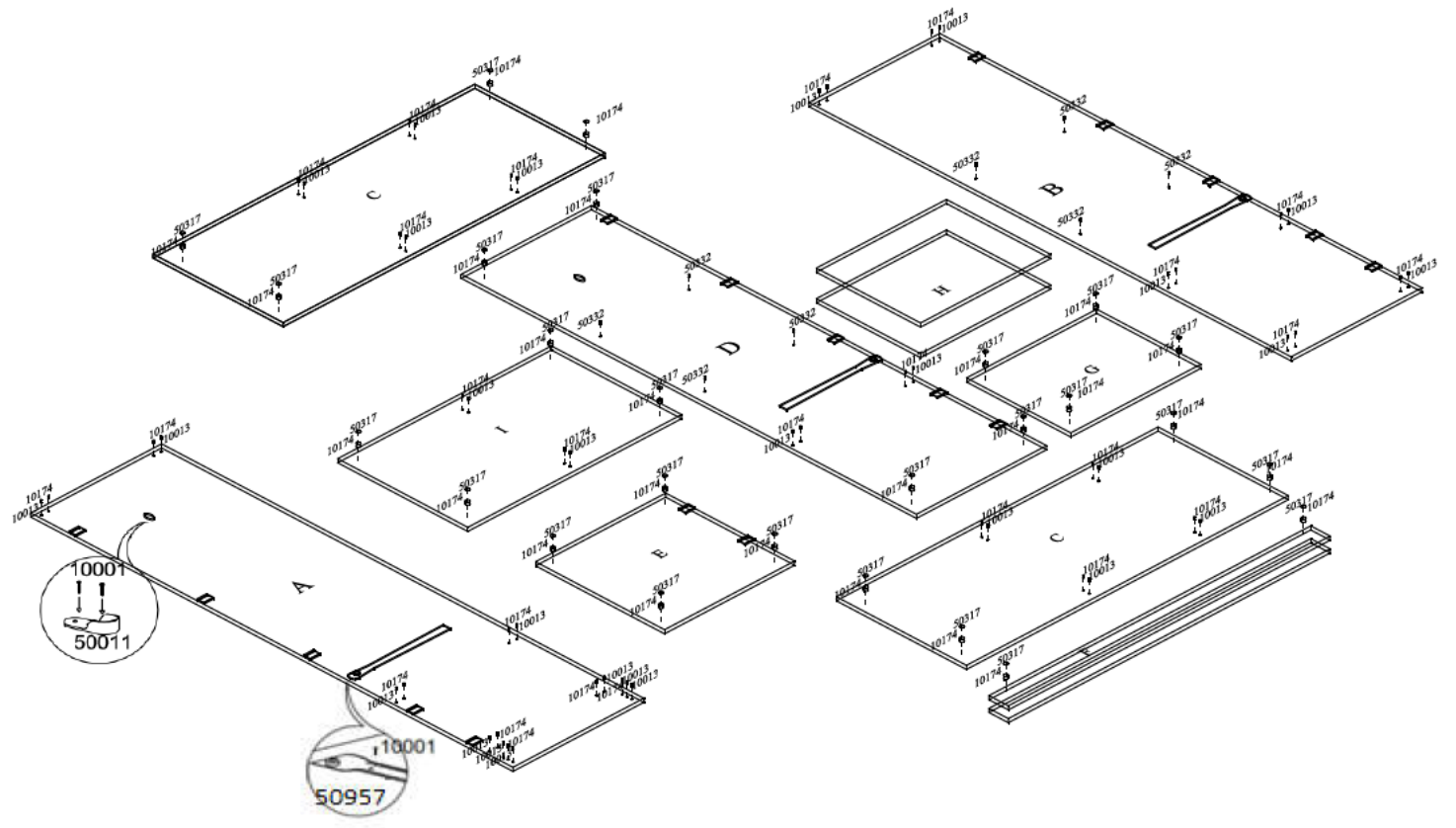
**2 ΧΡΟΝΙΑ ΕΓΓΥΗΣΗ**

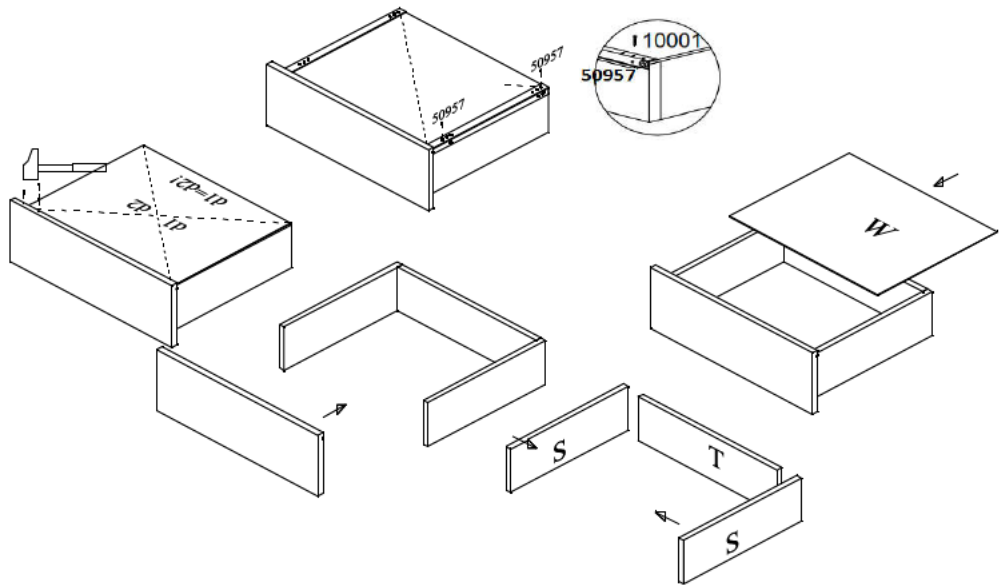
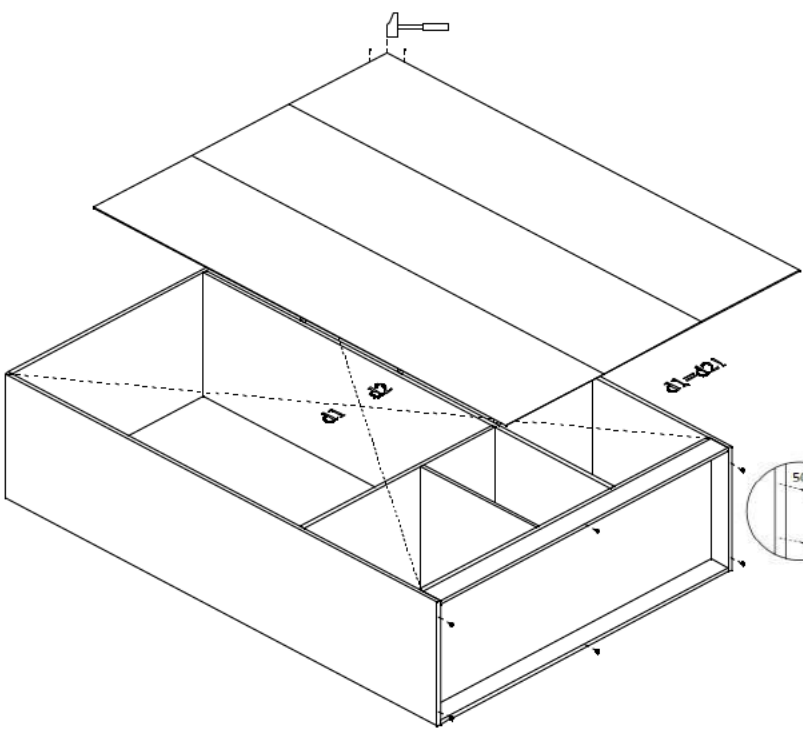
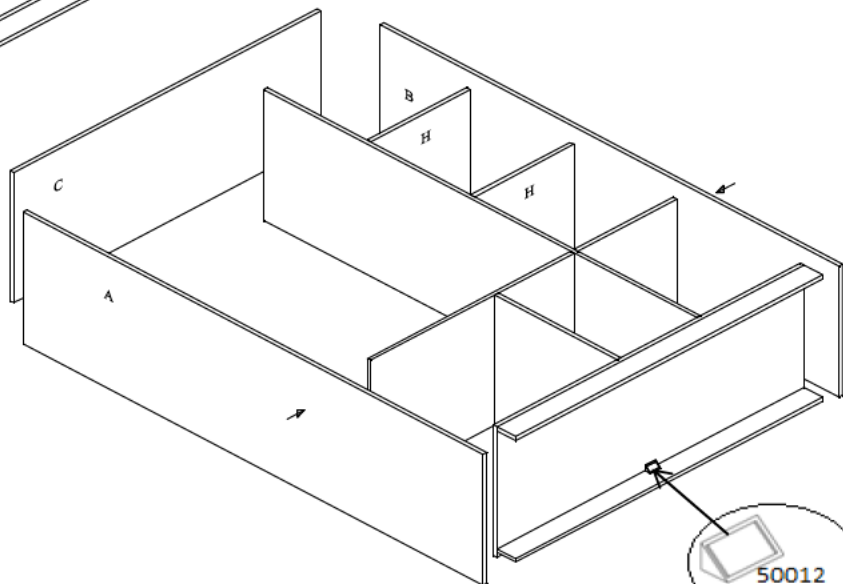
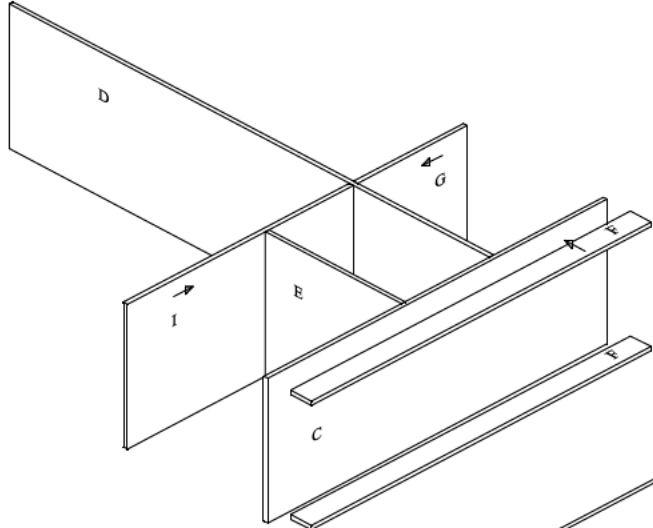
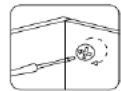
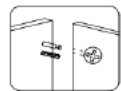


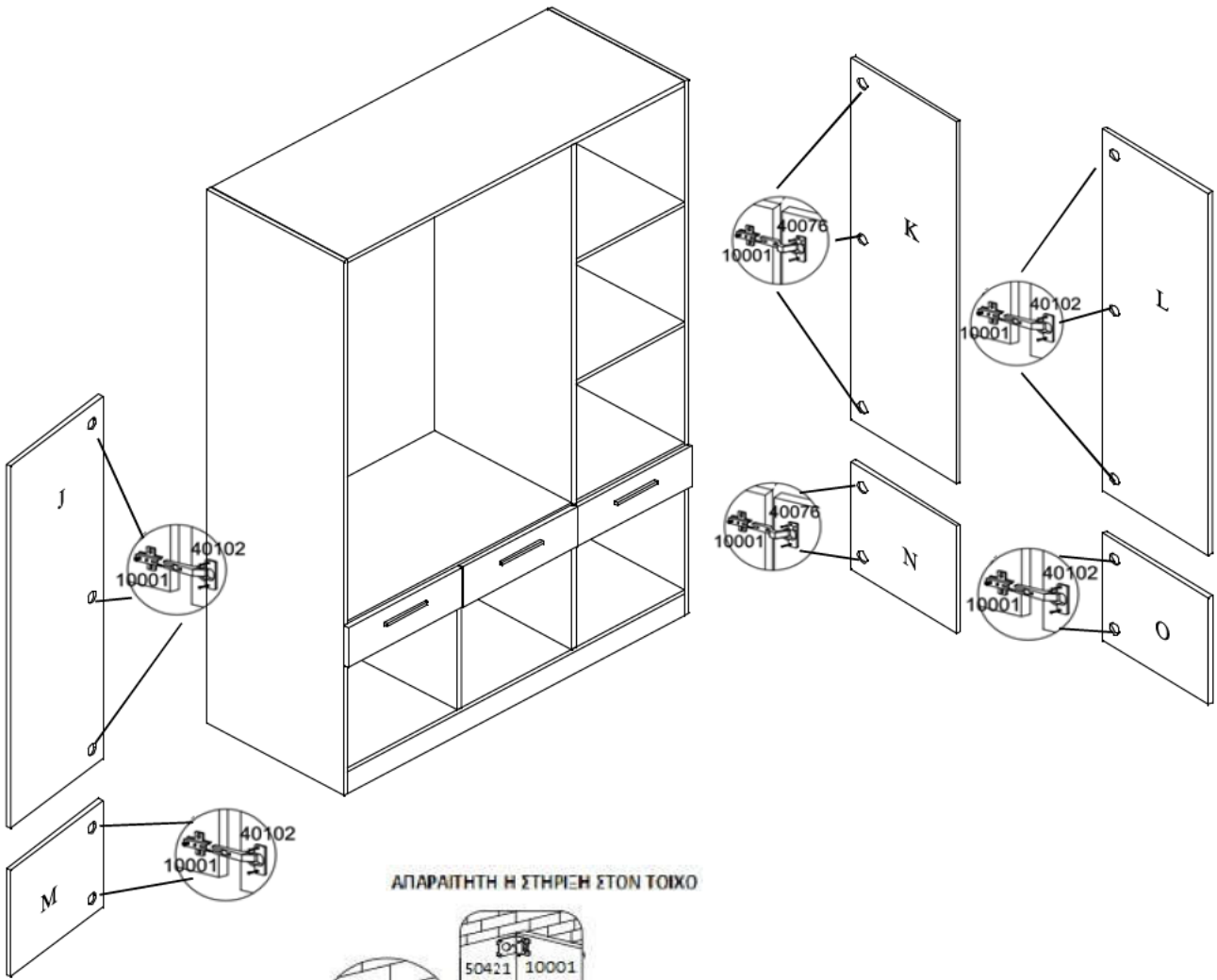
A	1990x540	1/3
B	1990x540	1/3
C	2x1328x537	2/3
D	1878x537	1/3
E	532x537	2/3
F	2x 1328x80	2/3
G	430x537	2/3
H	2x 430x520	2/3
I	882x537	2/3
J	1349x449	3/3
K	1349x449	3/3
L	1349x449	3/3
M	399x449	3/3
N	399x449	3/3
O	399x449	3/3
P	149x449	2/3
Q	149x449	2/3
R	149x449	2/3
S	6x500x100	2/3
T	2x372x100	2/3
U	378x100	2/3
V	3x1900x450	1/3
W	2x404x508	2/3
X	410x508	2/3

36x  10174	58x  10013	40x  50317	6x  50709
8x  50332	9x  20234	135 x  10033	3x L500  50957
100x 3,5x16  10001	10x  40102	5x  40076	2x  50011
18x 4x30  10002	2x  10072	2x 6x50  10060	2x 4x50  10009
2x 30x30  50421	2x  50012	4x  10072	









ΑΠΑΡΑΙΤΗΤΗ Η ΣΤΗΡΙΞΗ ΣΤΟΝ ΤΟΙΧΟ

