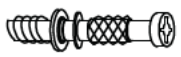



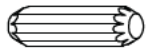







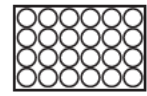
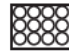


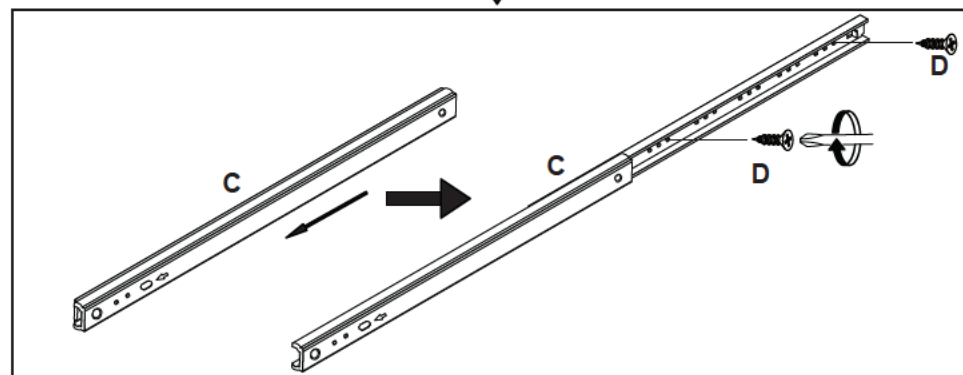
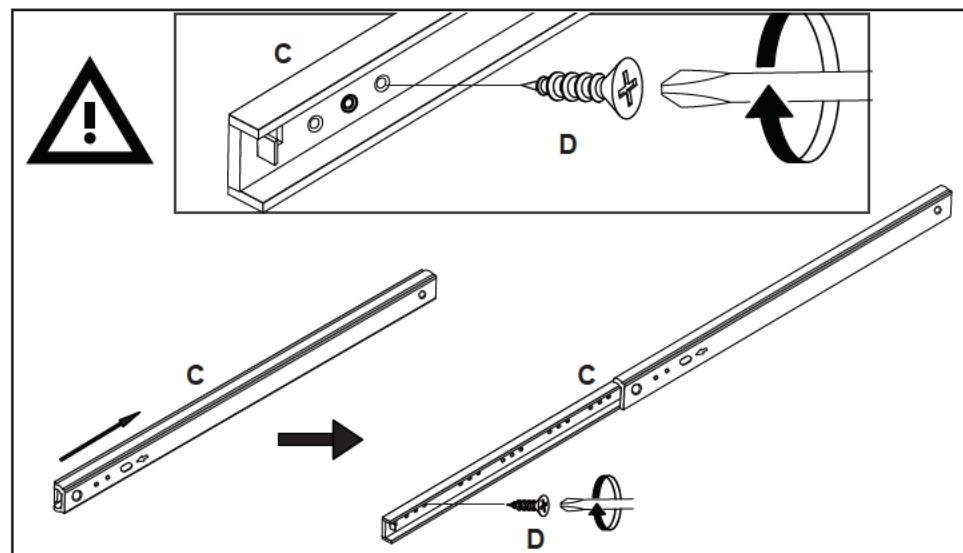
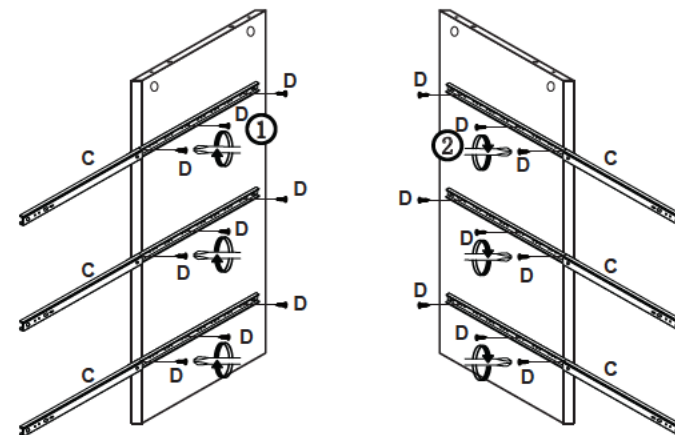


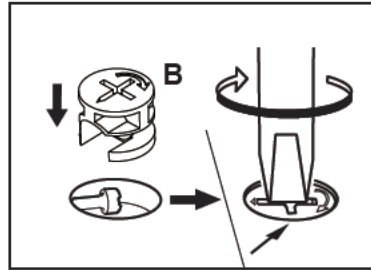
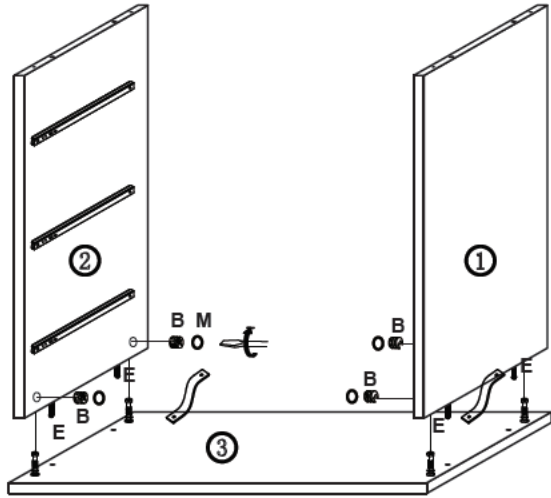
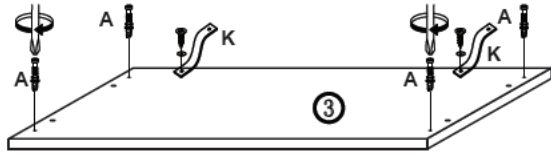


- | | | | | |
|---|---|---|---|--|
|  |  |  |  |  |
| A x 24 | B x 24 | C x 6 | D x 18 | E x 12 |
|  |  |  |  |  |
| F x 16 | G x 8 | H x 6 | I x 1 | J x 14 |
|  |  |  |  |  |
| K x 2 | L x 18 | M x 1 | N x 1 | O x 1 |
|  | | | | |
| P x 1 | | | | |

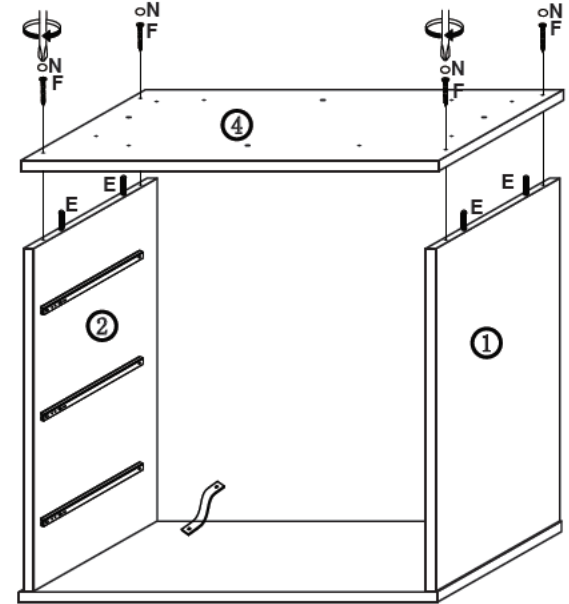
1



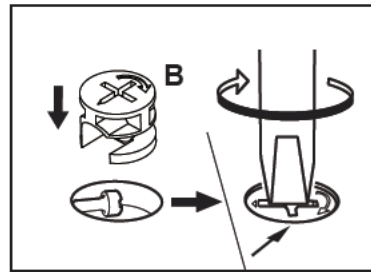
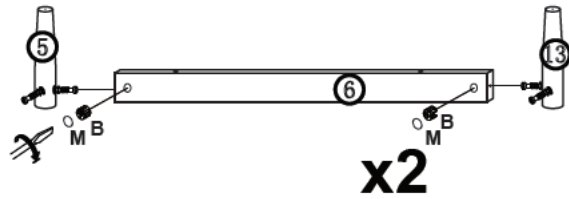
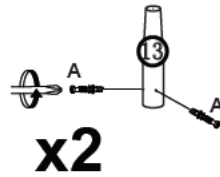
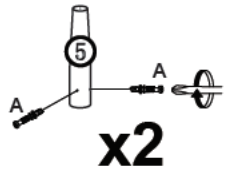
2



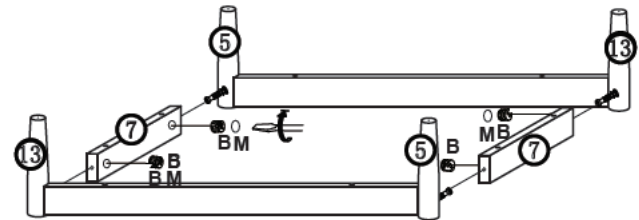
3

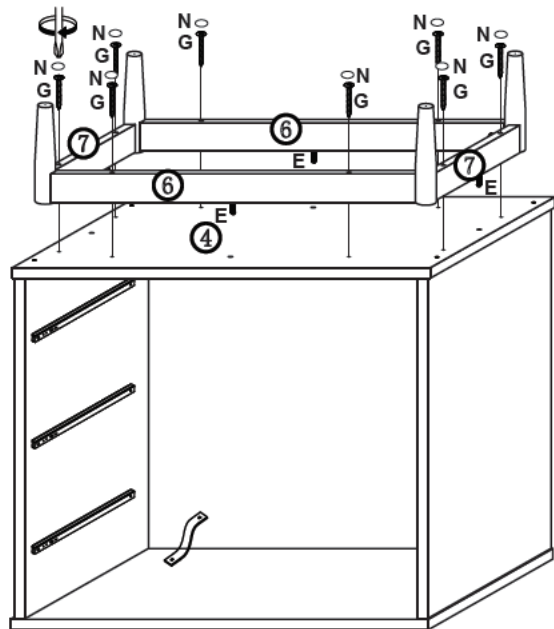
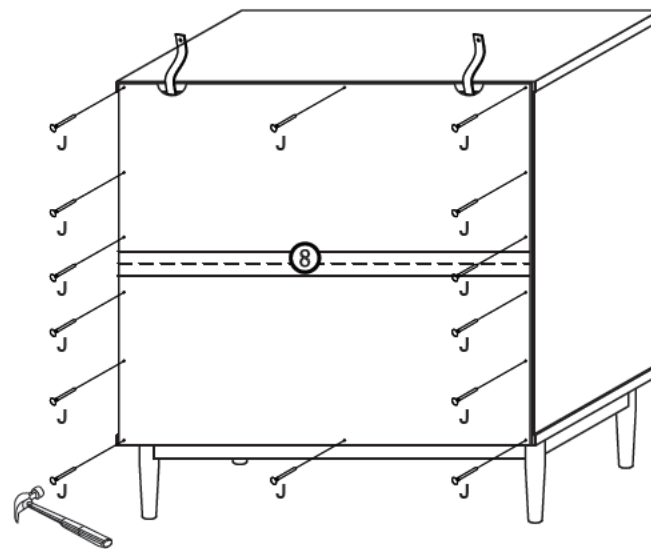
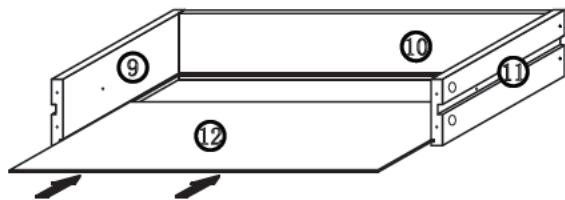
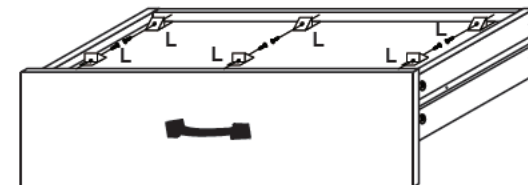
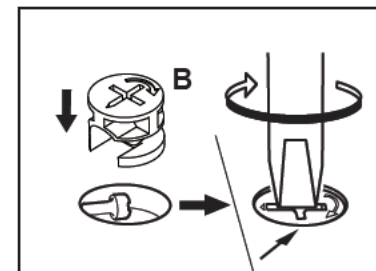
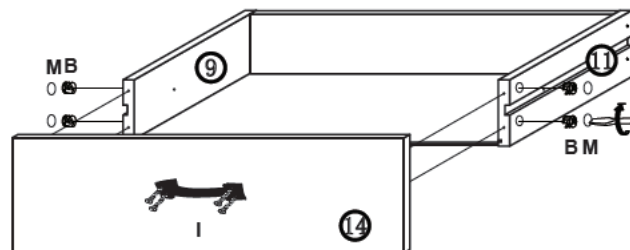
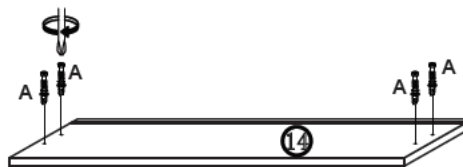


4

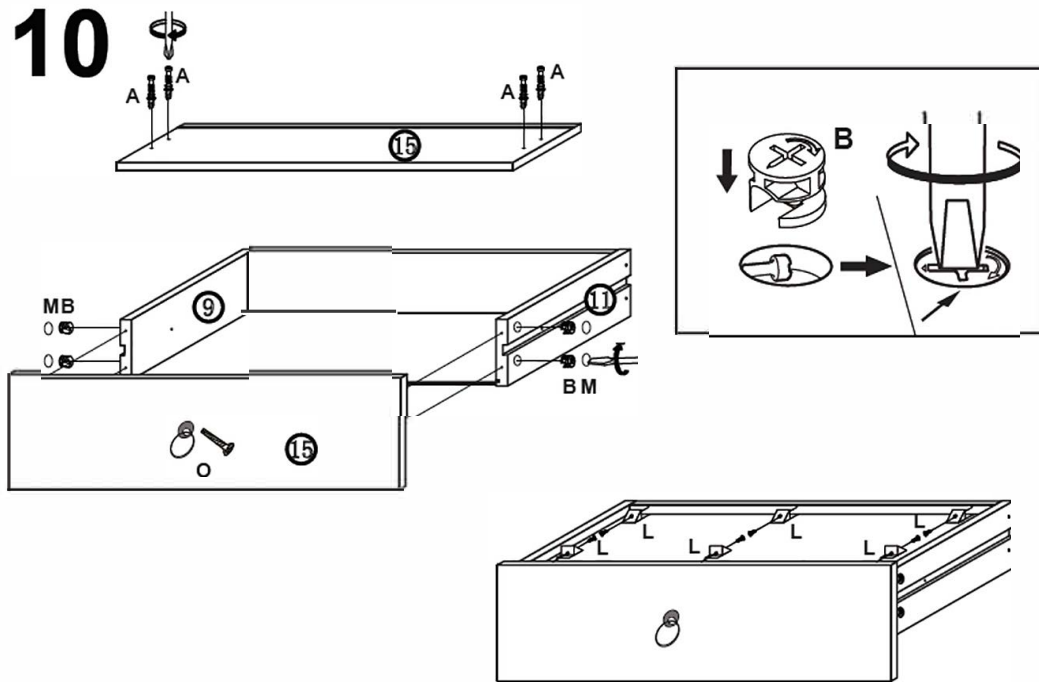


5

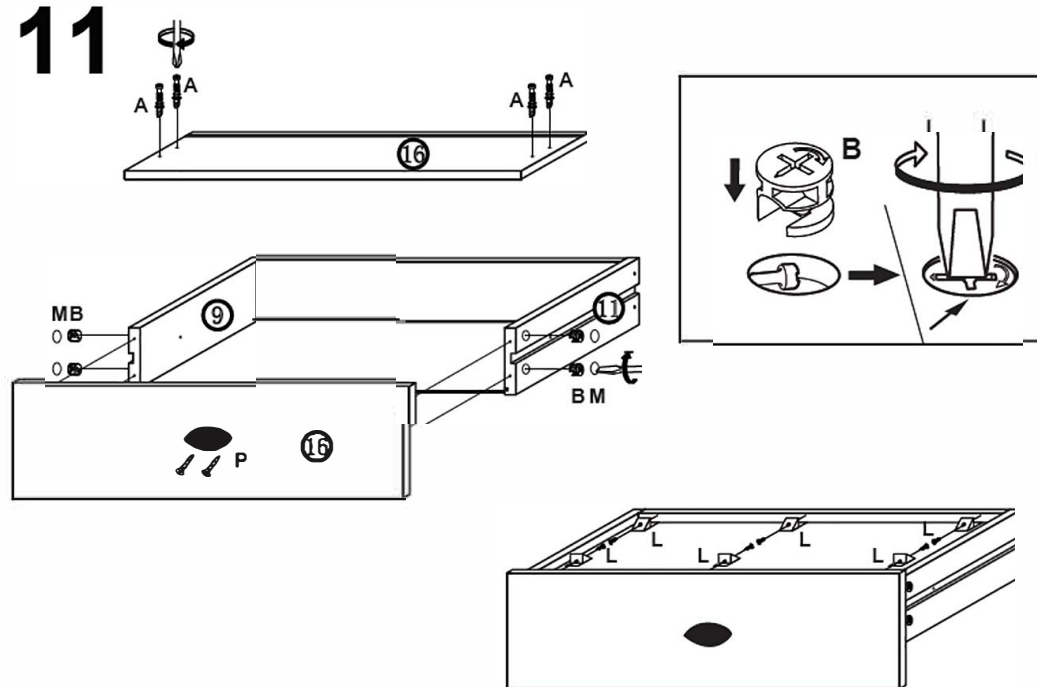


6**7****8****x 3****9**

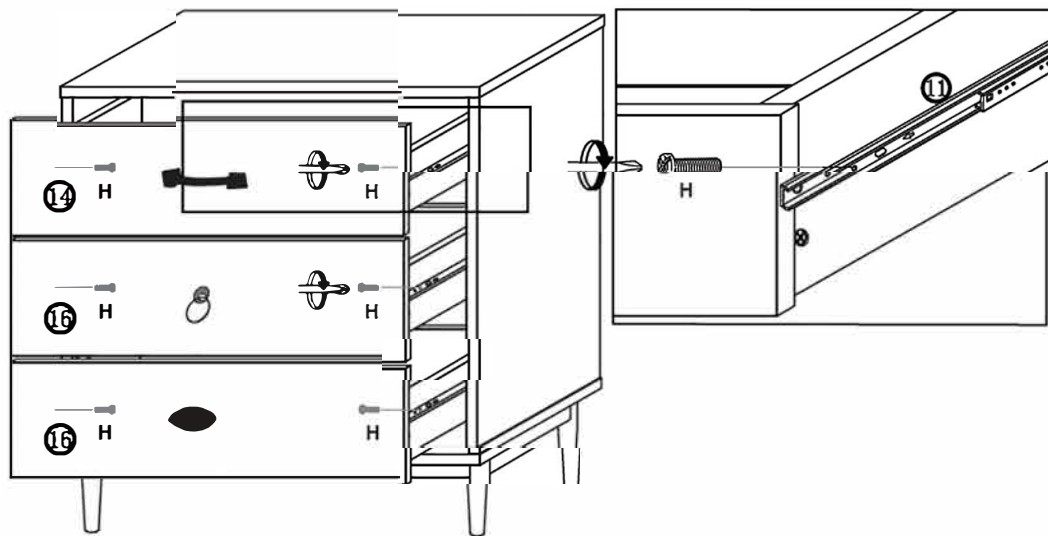
10



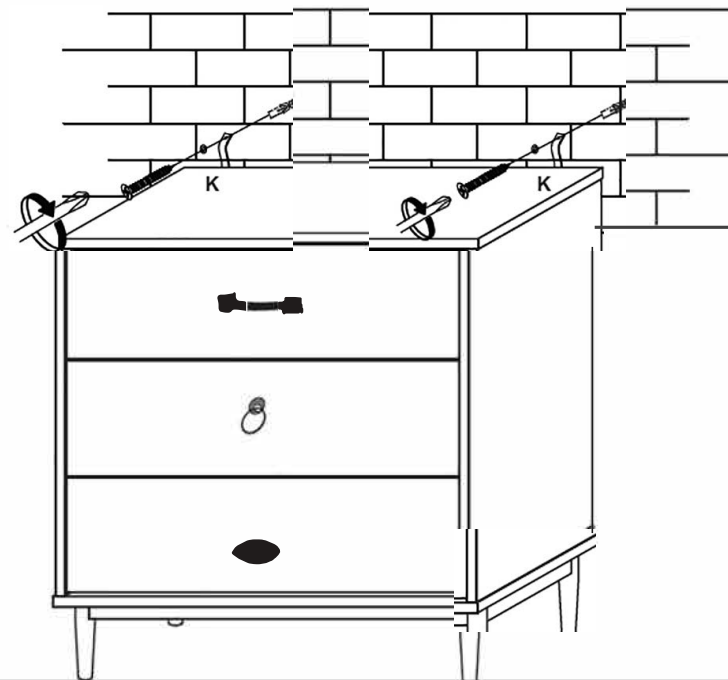
11



12



13



Απαραίτητη η στήριξη
 στον τοίχο /
 Mounting to the wall is
 required /
 Необходимо е да бъде
 захванато за стената