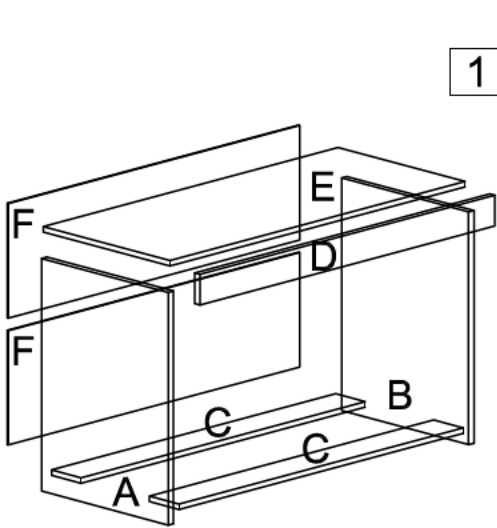
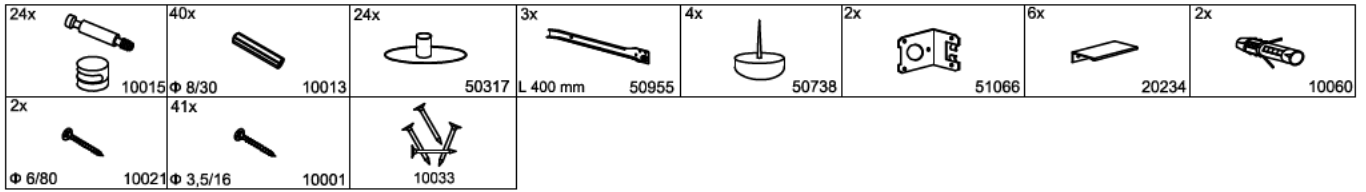
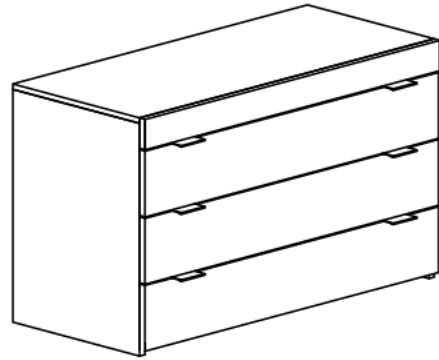


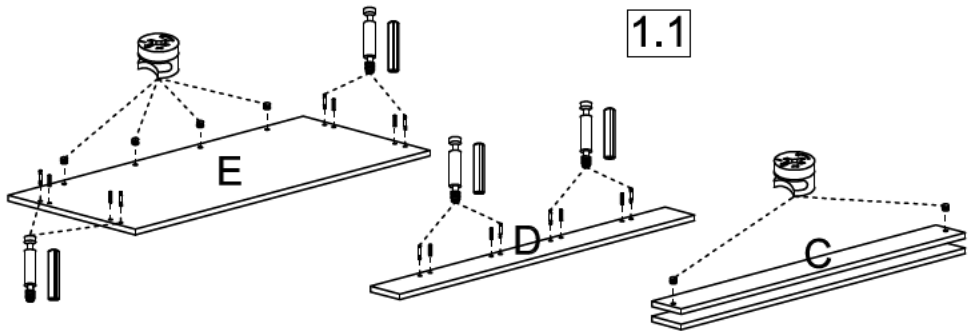
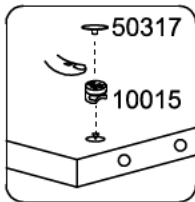
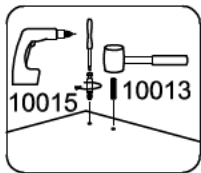
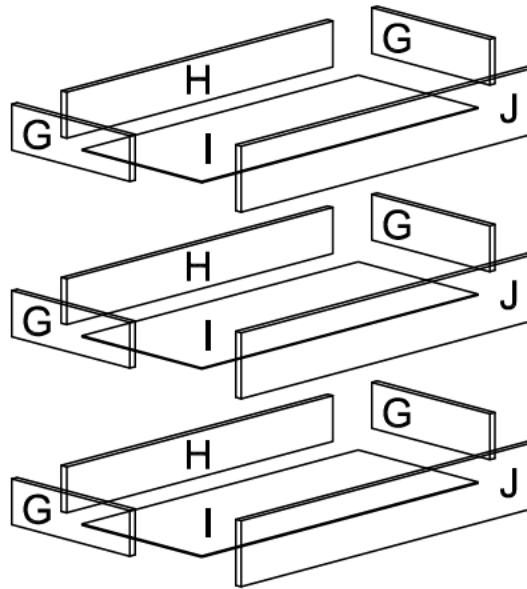
2 ΧΡΟΝΙΑ ΕΓΓΥΗΣΗ



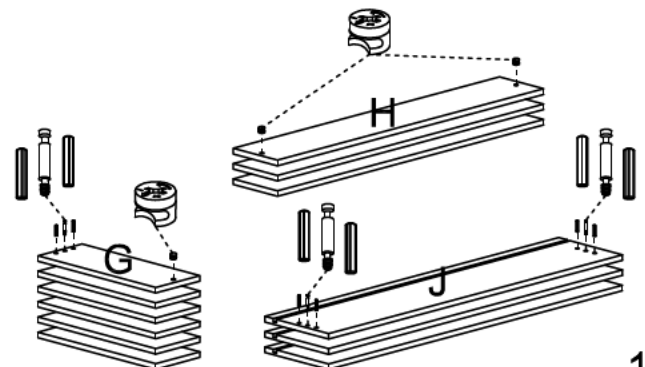
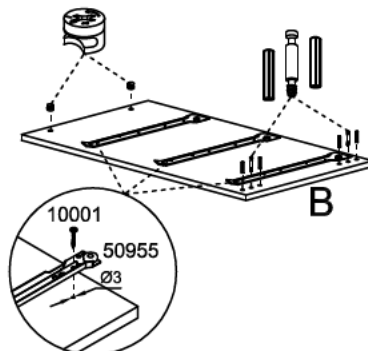
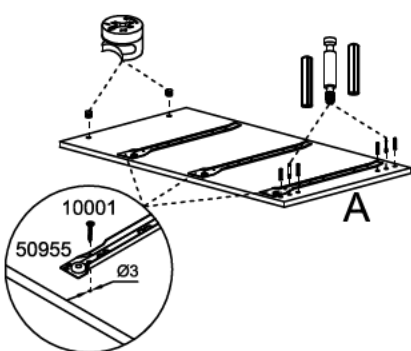
A	762x430	2/2
B	762x430	2/2
C	2x 964x100	1/2
D	1000x100	1/2
E	1000x430	1/2
F	2x 375x988	1/2
G	6x 400x150	2/2
H	3x 903x150	1/2
I	3x 936x406	1/2
J	3x 997x216	1/2

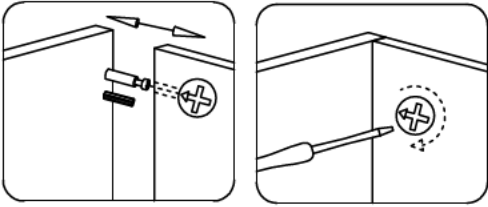


1

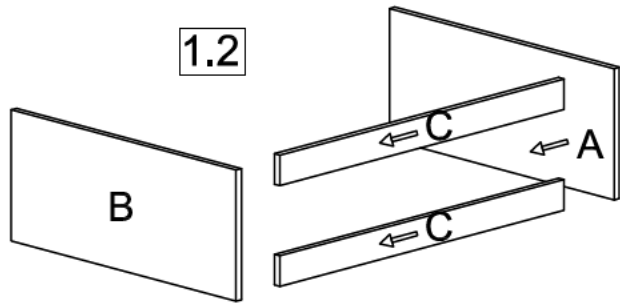


1.1

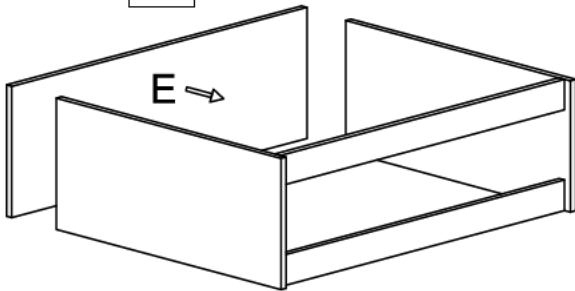




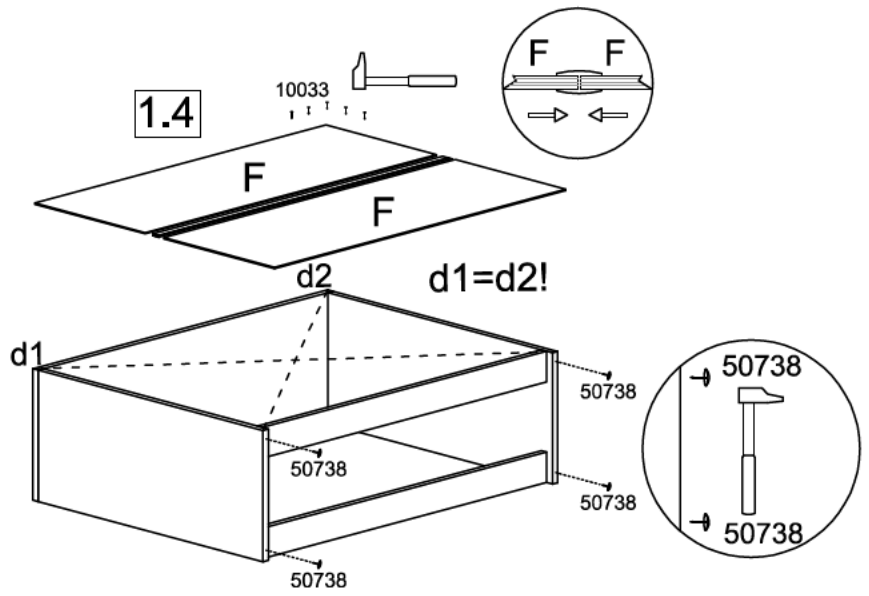
1.2



1.3



1.4



1.5

