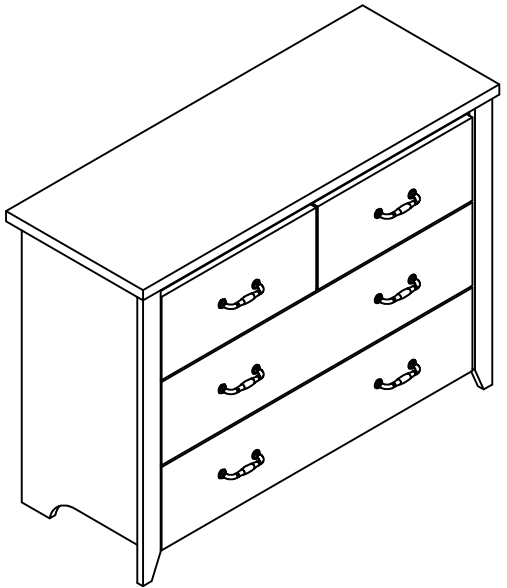

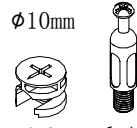
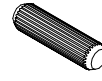
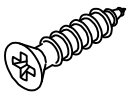
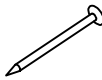



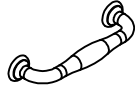
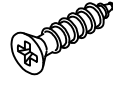
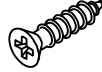
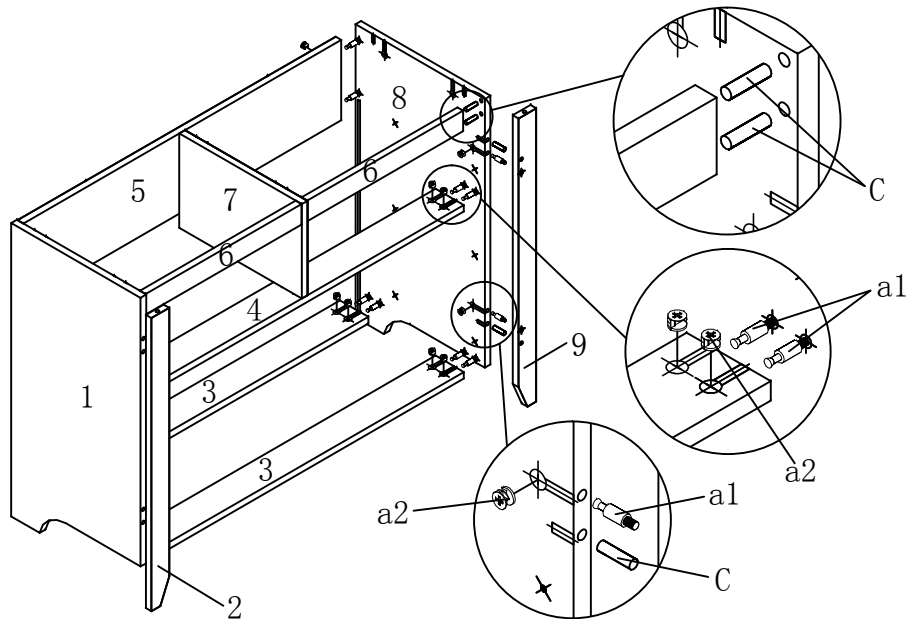


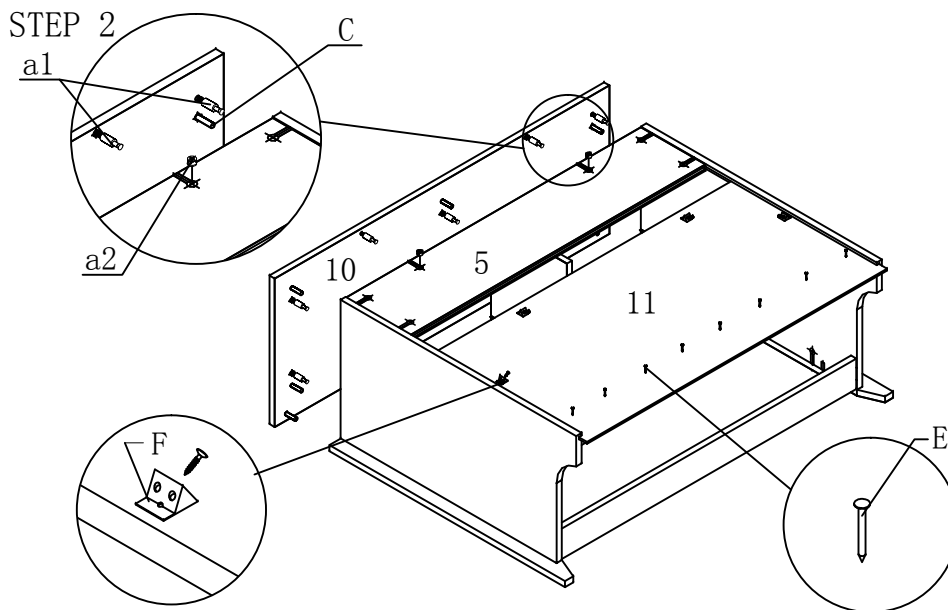
ASSEMBLY INSTRUCTION

	<p>A $\phi 15\text{mm}$  a2 a1 x46</p>	<p>B $\phi 10\text{mm}$  b2 b1 x4</p>	<p>C  $\phi 8*30\text{mm}$ x20</p>	<p>D  $\phi 3.5*14$ x32</p>
	<p>E  x50</p>	<p>F  $\phi 3.5*20$ x4</p>	<p>G  x4</p>	<p>H  $M4*22$ x12</p>
	<p>I  x6</p>	<p>J  $\phi 3.5*35$ x16</p>	<p>K  $\phi 3.5*30$ x4</p>	

STEP 1



STEP 2



ASSEMBLY INSTRUCTION

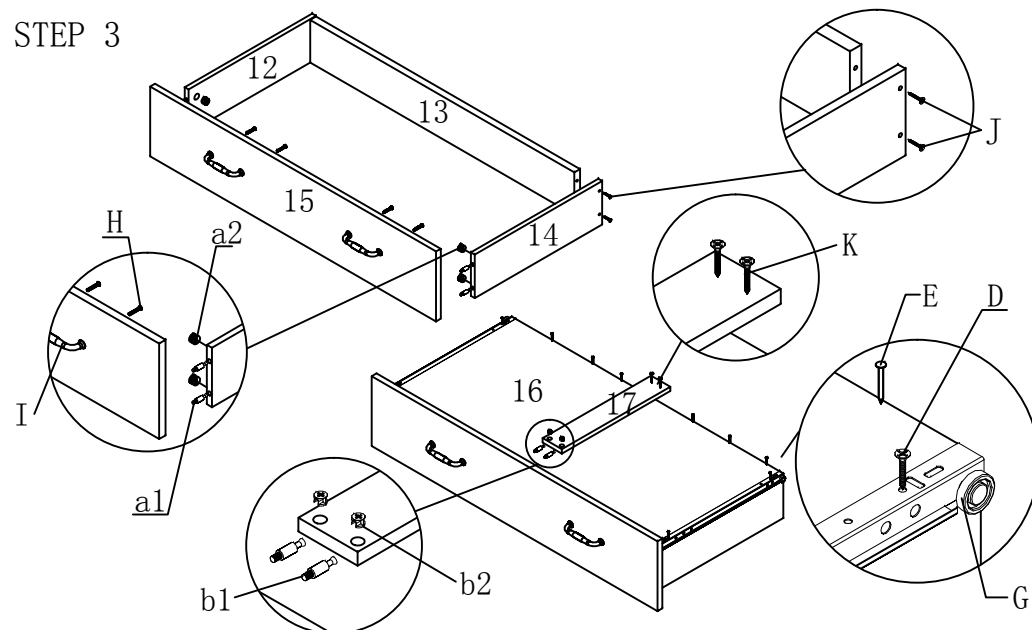
MODEL: A2011

PRODUCT: dresser

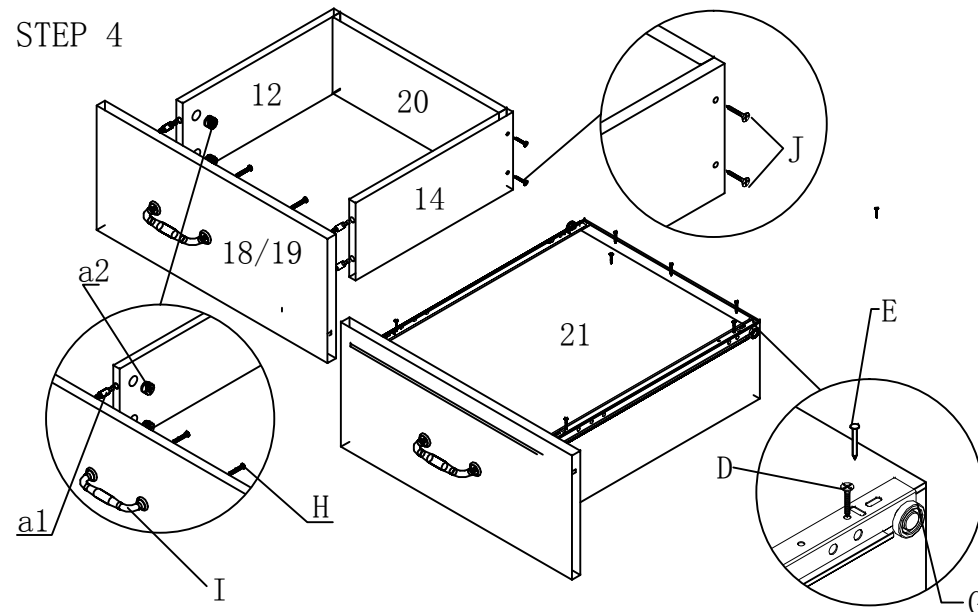
EDITION NO. A

2/2

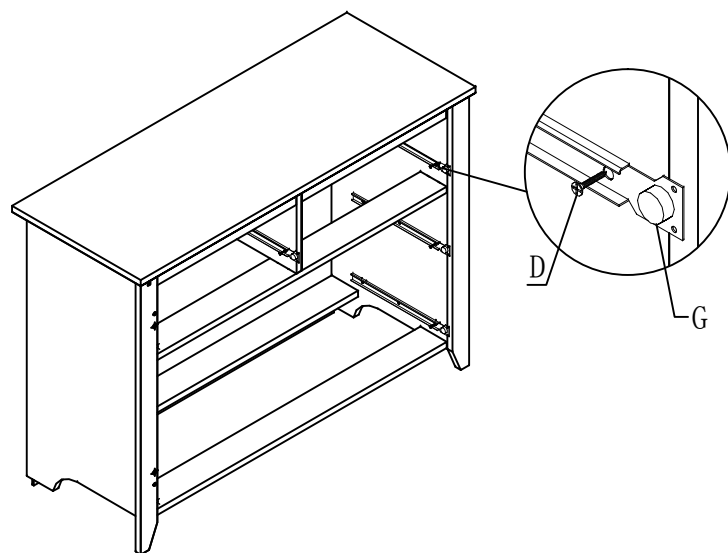
STEP 3



STEP 4



STEP 5



STEP 6

