

A × 4



B × 4



C × 8



D × 16



E × 4



F × 4



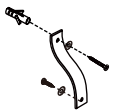
G × 4



H × 4



I × 6



J × 2



K × 18

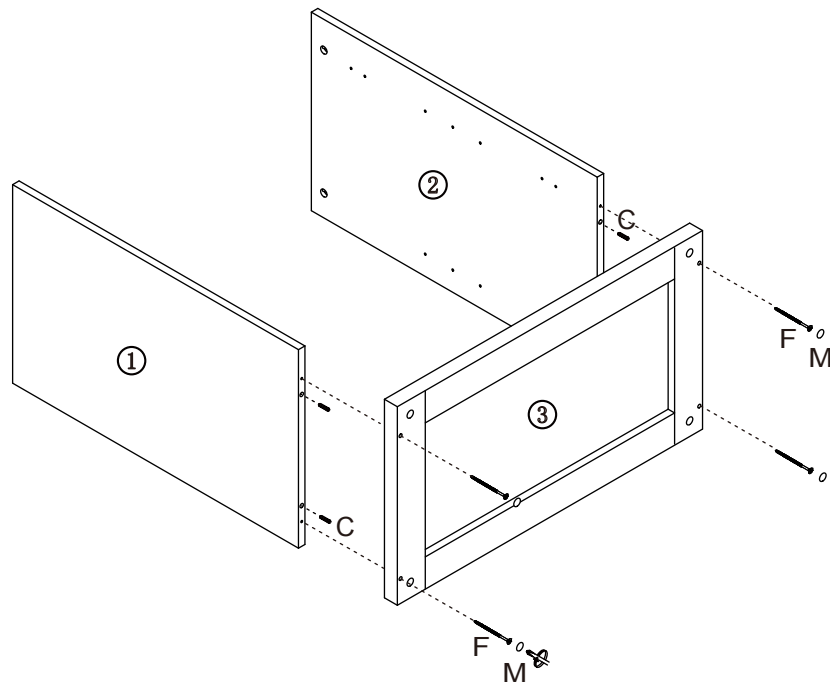


L × 1

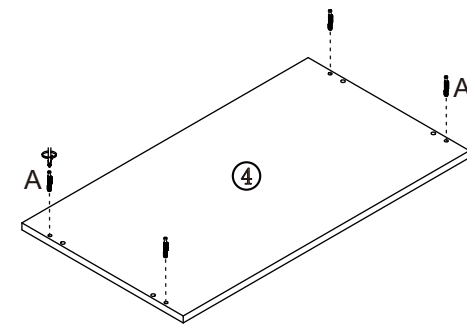


M × 1

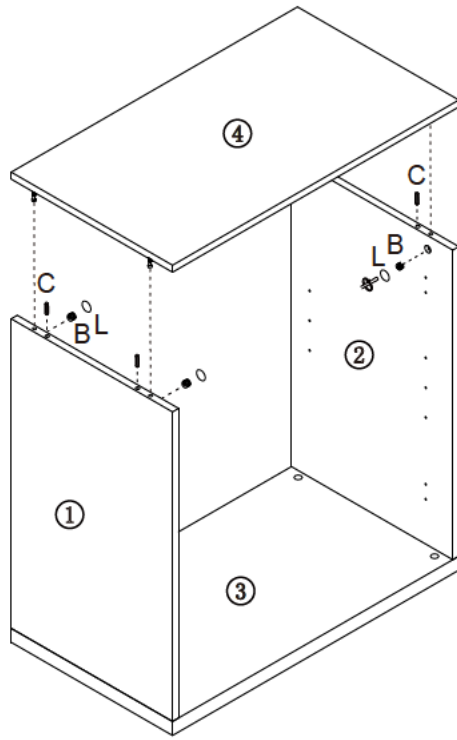
1



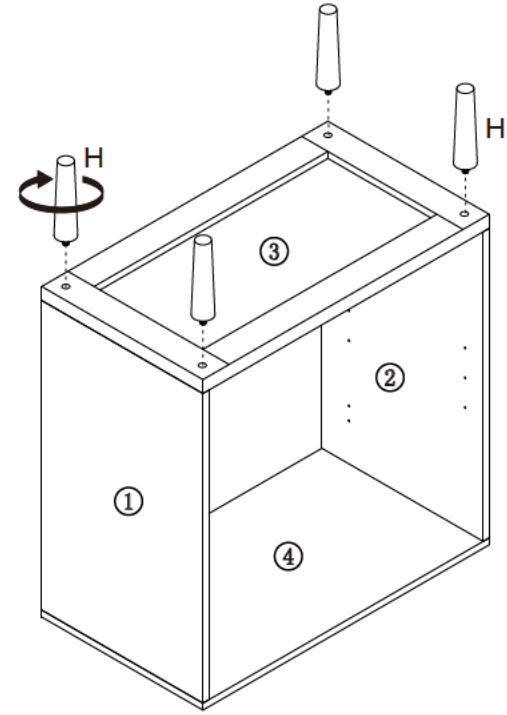
2



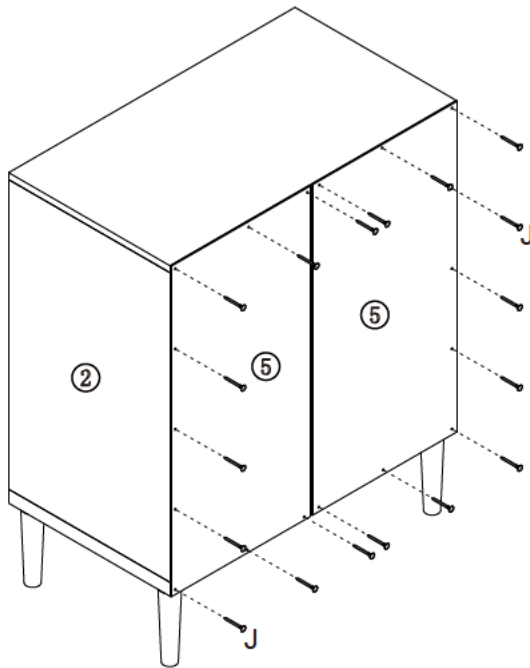
3



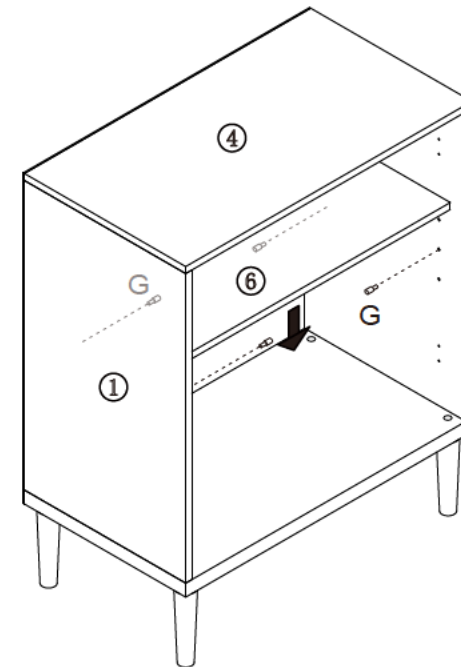
4



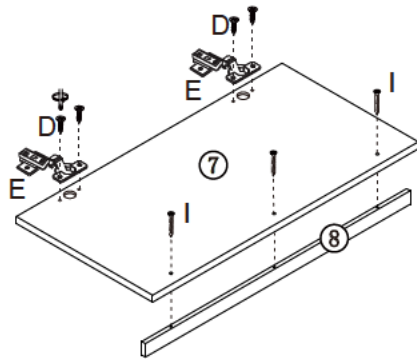
5



6

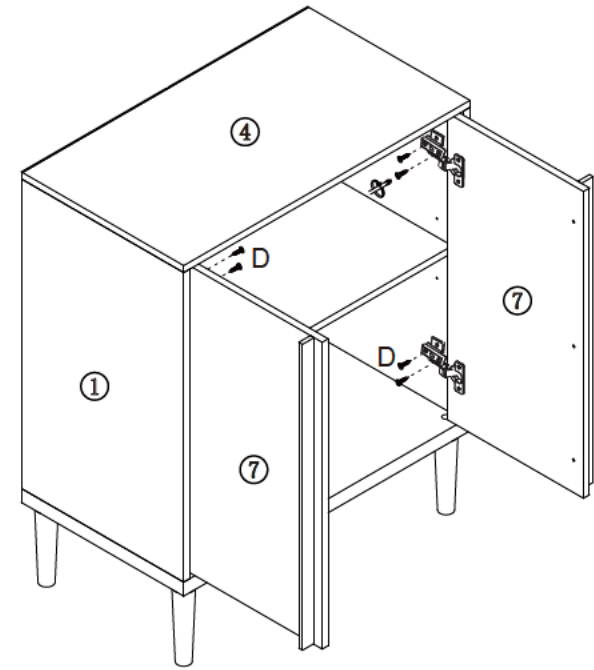


7



× 2

8



9

