

A × 22



B × 22



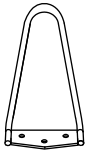
C × 16



D × 44



E × 18



F × 4



G × 12



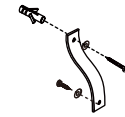
H × 22



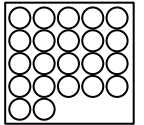
I × 1



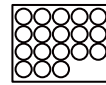
J × 2



K × 2



L × 1



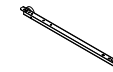
M × 1



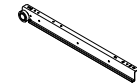
CL × 3



CR × 3

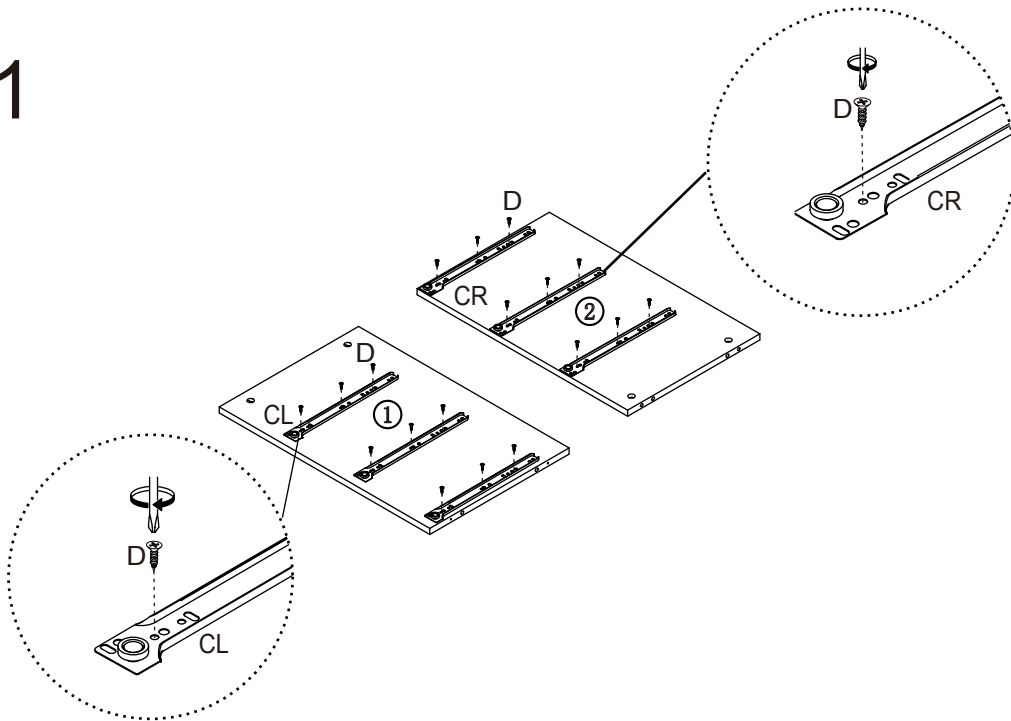


DL × 3

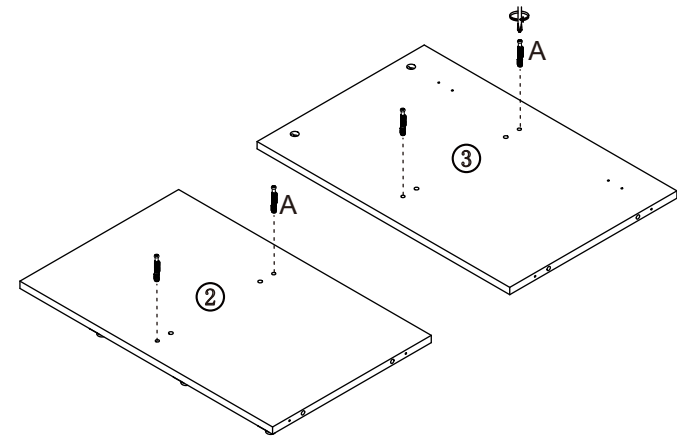


DR × 3

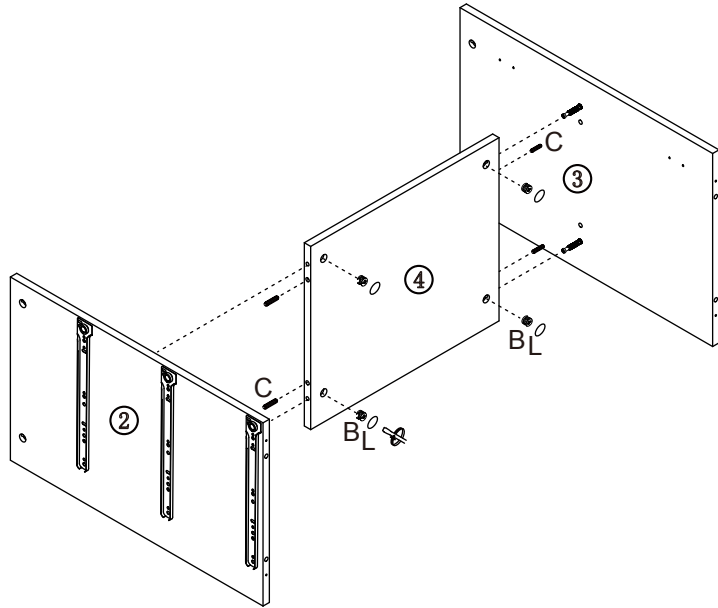
1



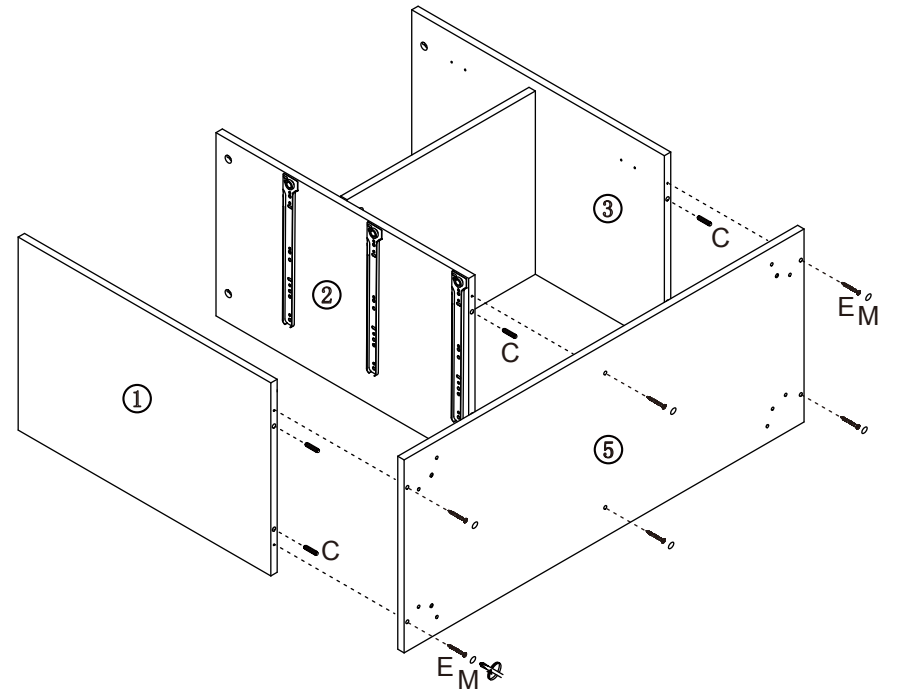
2



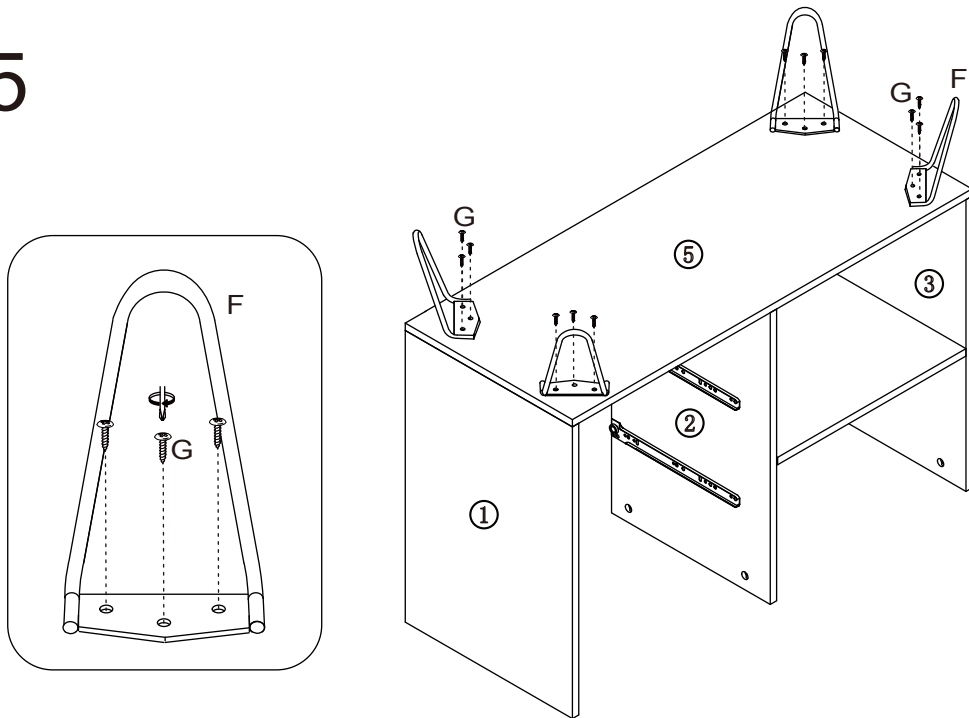
3



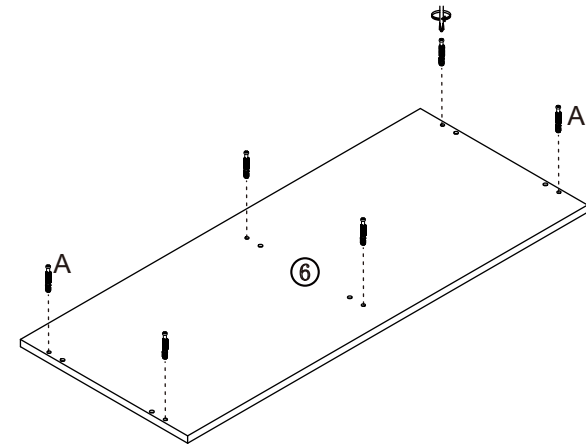
4



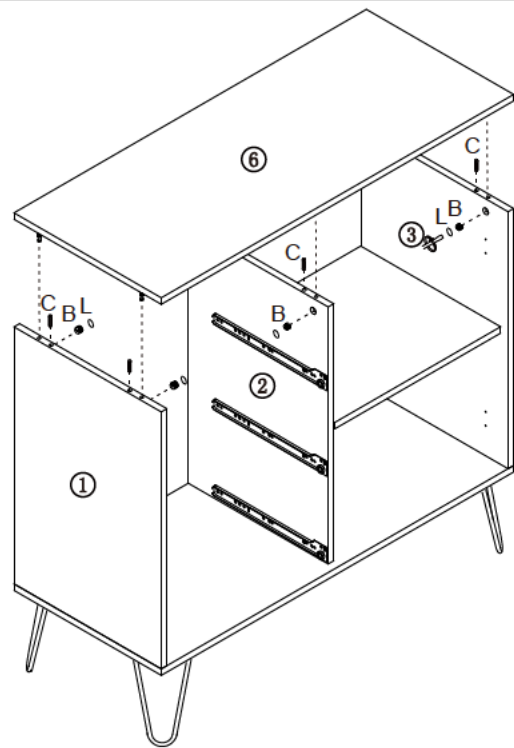
5



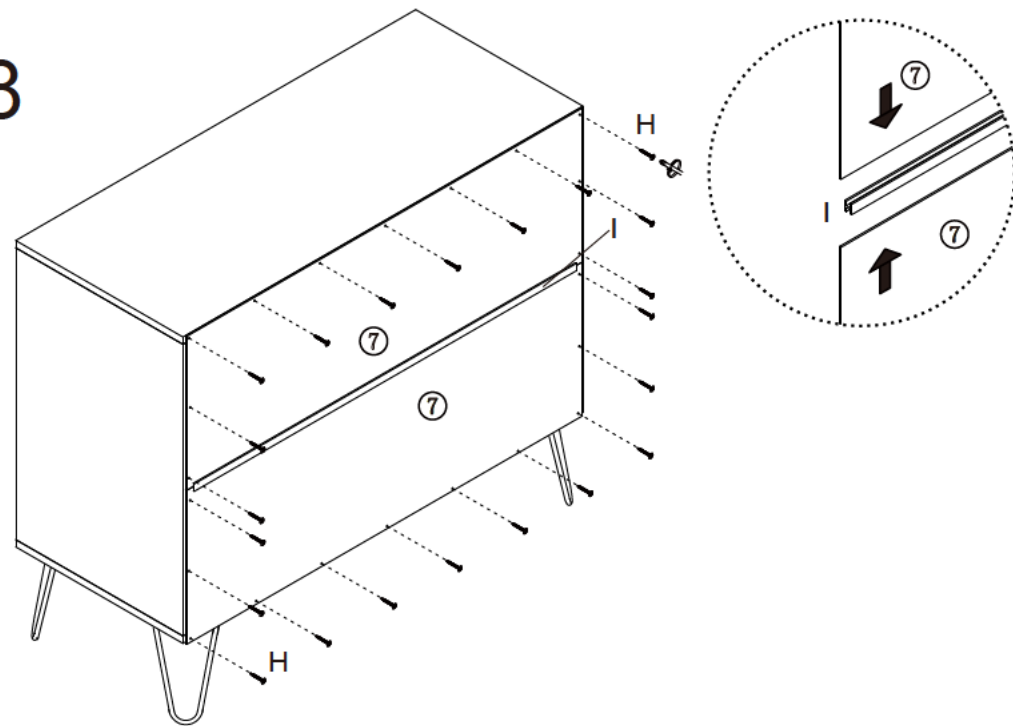
6



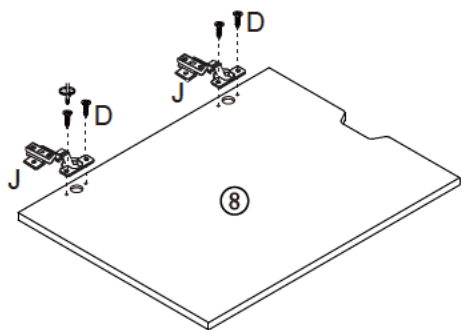
7



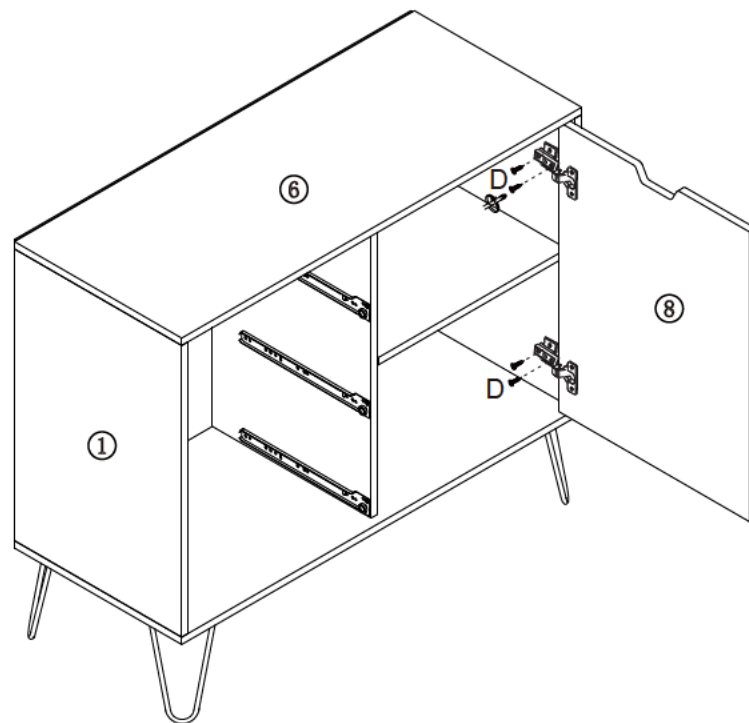
8



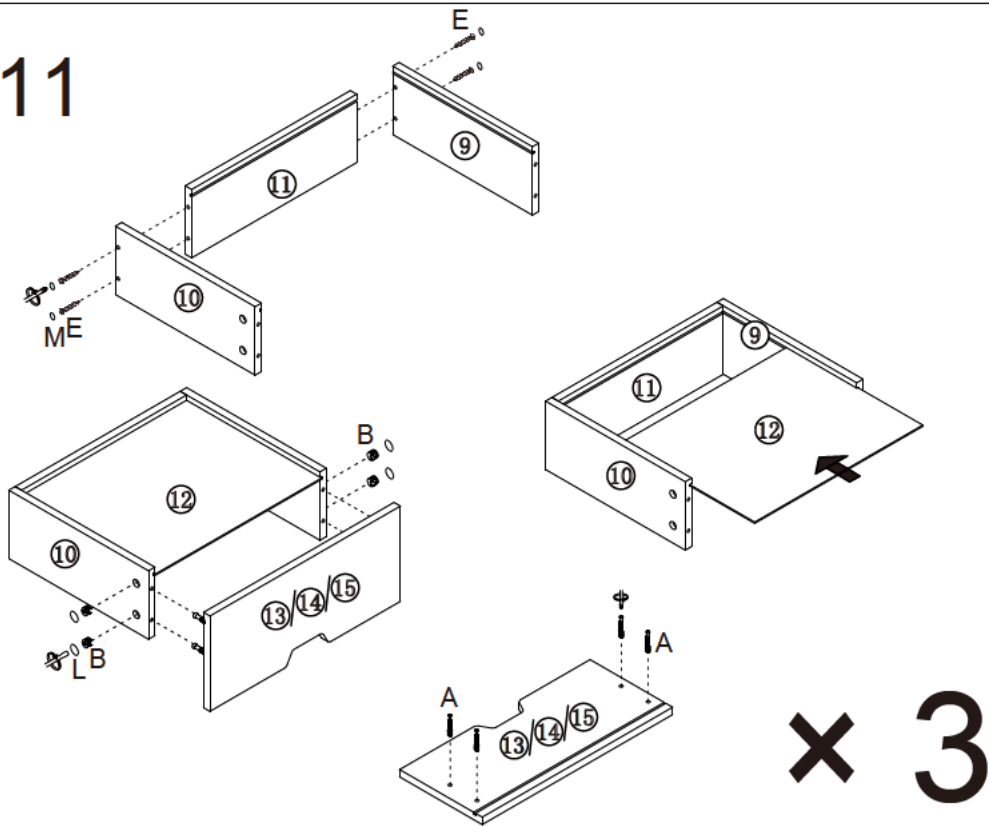
9



10

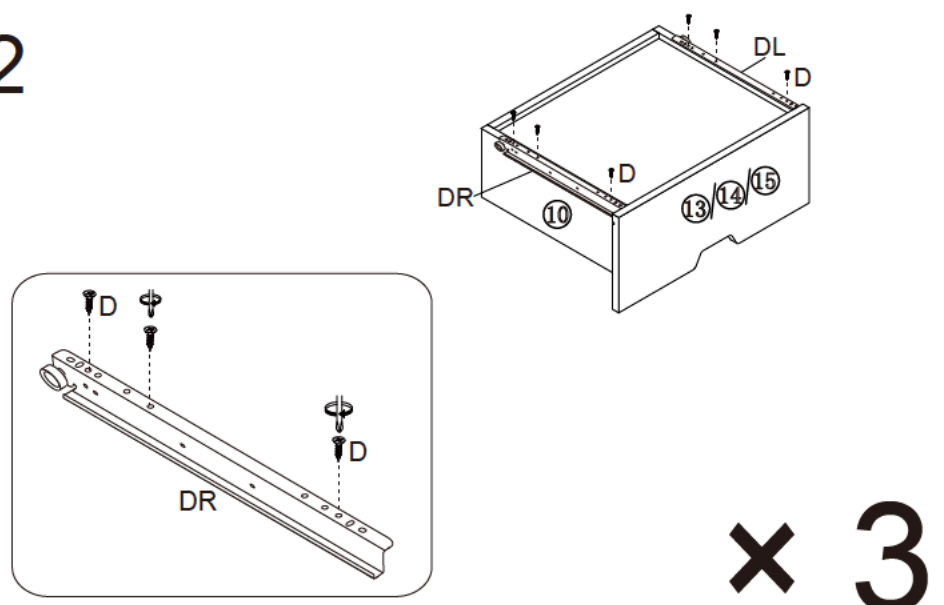


11



x 3

12



x 3

13

