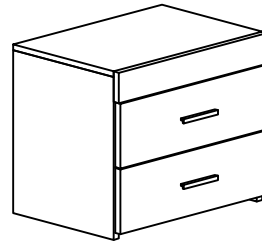


**2 ΧΡΟΝΙΑ ΕΓΓΥΗΣΗ**

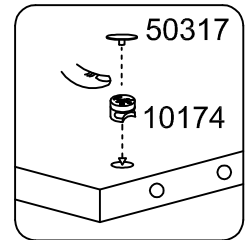
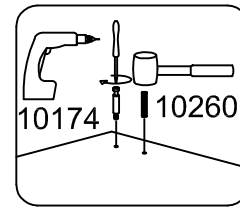
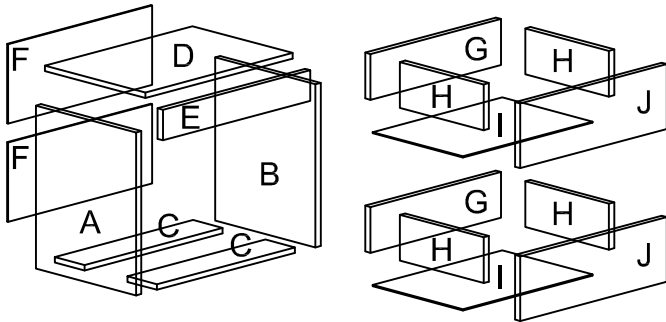
A	534x340	1/1
B	534x340	1/1
C	2x 468x100	1/1
D	500x340	1/1
E	500x100	1/1
F	2x 260x488	1/1
G	2x 443x150	1/1
H	4x 284x150	1/1
I	2x 440x306	1/1
J	2x 497x212	1/1

max.5 kg

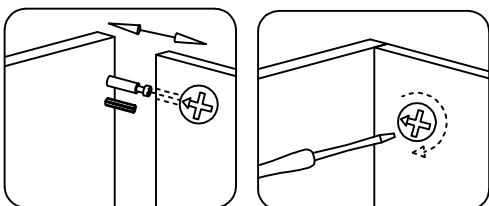
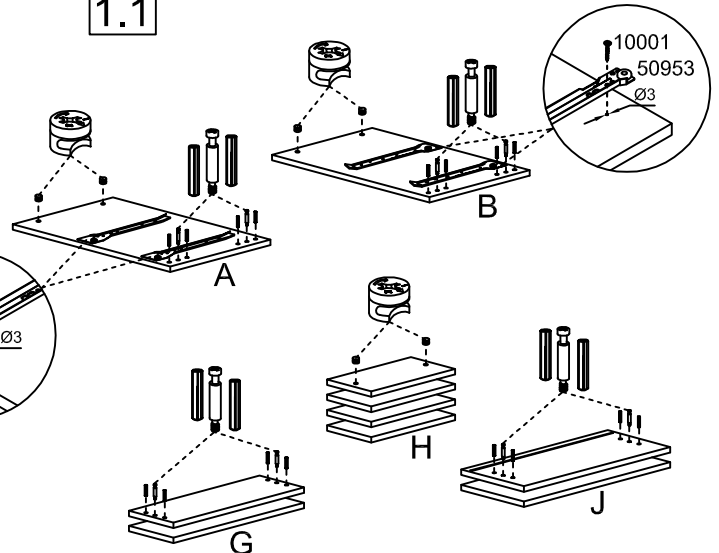
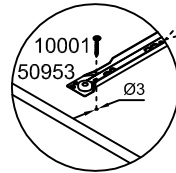
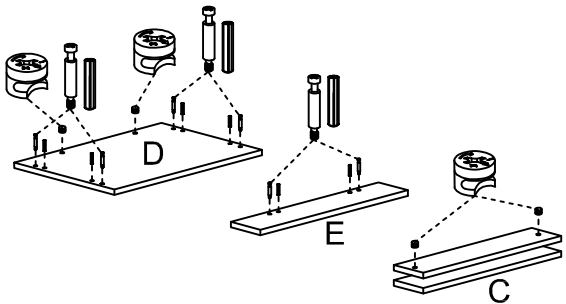


18x  10174 $\phi$ 8/30	30x  10260	18x  50317	2x  L 300 mm 50953	4x  50738	2x  20281	4x  $\phi$ 4/30 10006	8x  $\phi$ 3,5/20 10002
8x  $\phi$ 3,5/16 10001	 10033						

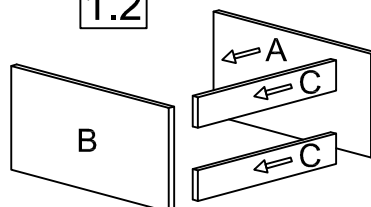
1



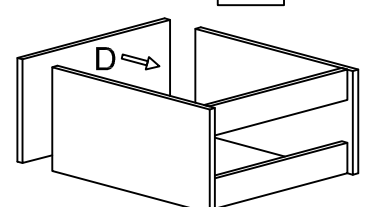
1.1



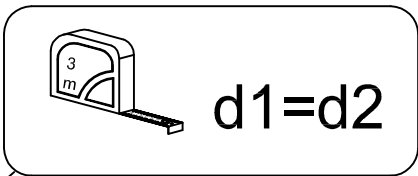
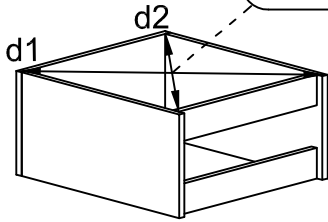
1.2



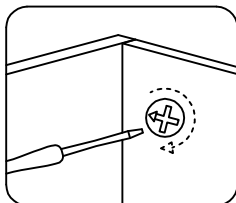
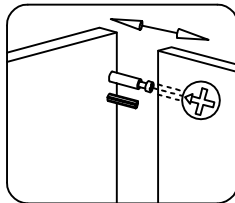
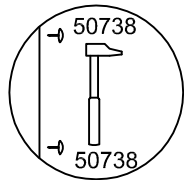
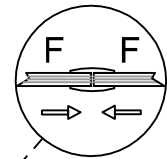
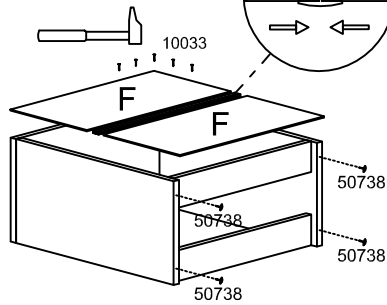
1.3



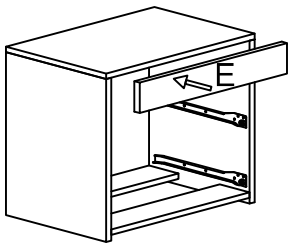
1.4



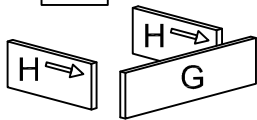
1.5



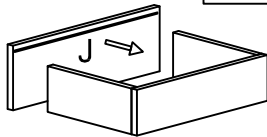
1.6



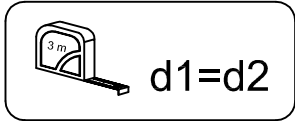
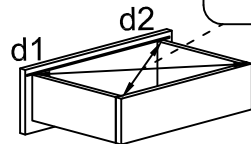
1.7



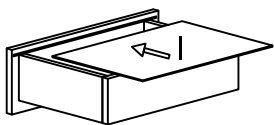
1.8



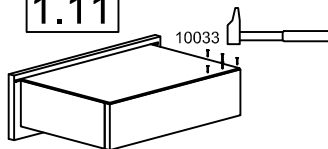
1.9



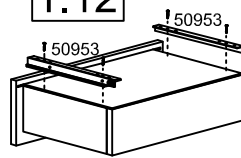
1.10



1.11



1.12



1.13

