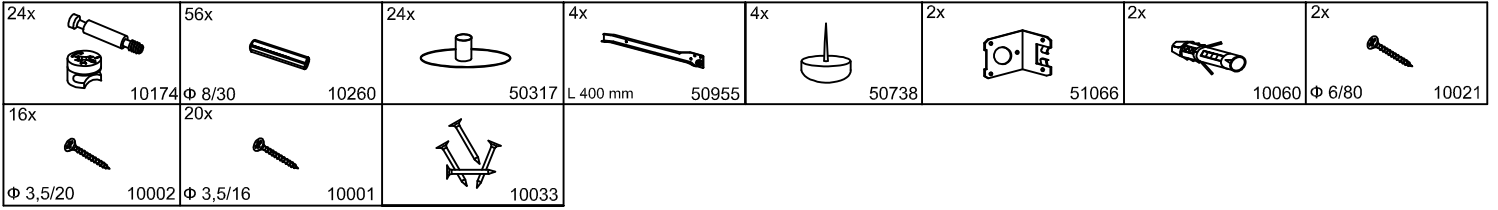
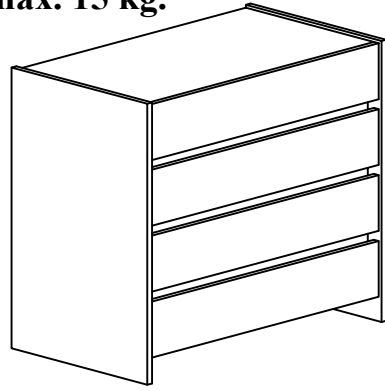


2 ΧΡΟΝΙΑ ΕΓΓΥΗΣΗ

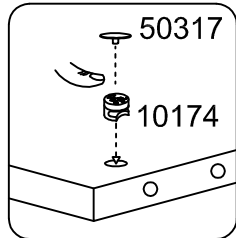
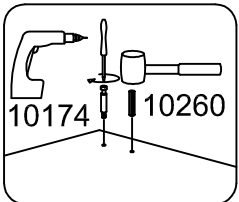
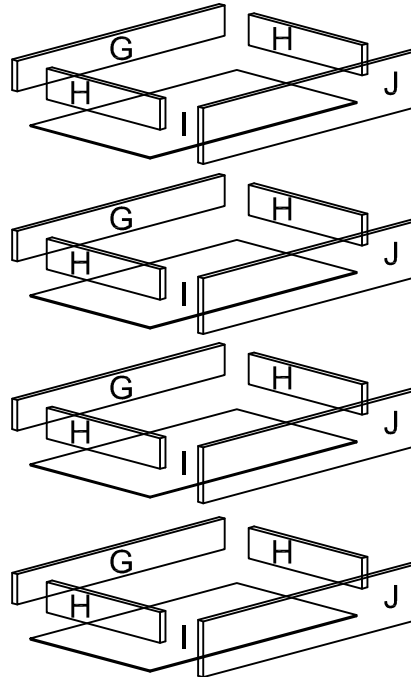
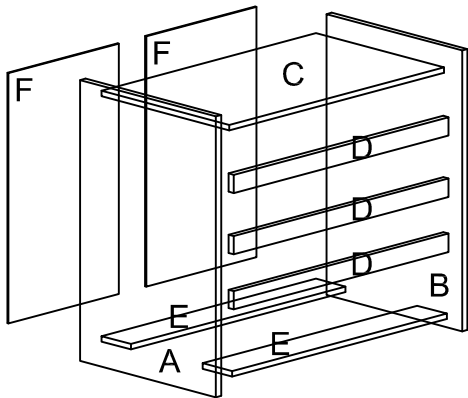


A	920x460	1/2
B	920x460	1/2
C	728x434	1/2
D	3x 728x60	1/2
E	2x 728x100	1/2
F	2x 820x374	1/2
G	4x 703x100	2/2
H	8x 384x100	1/2
I	4x 700x406	1/2
J	4x 722x183	2/2

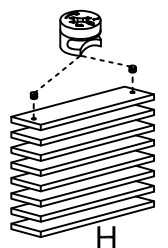
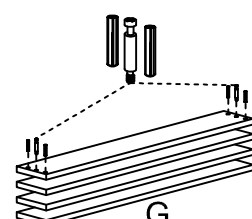
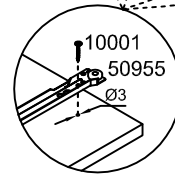
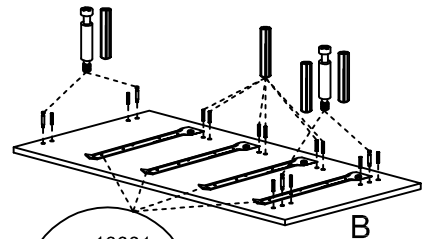
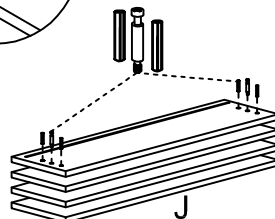
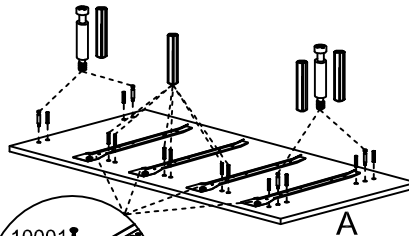
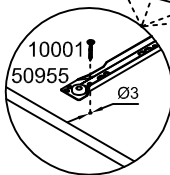
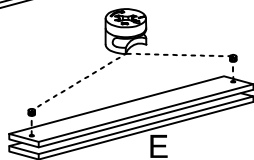
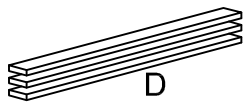
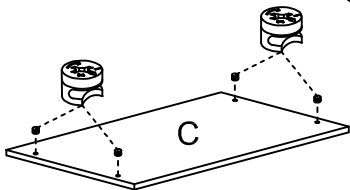
max. 15 kg.



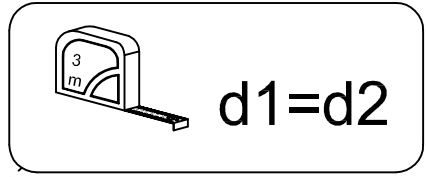
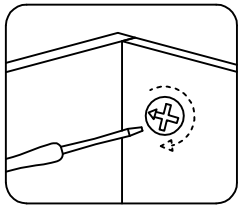
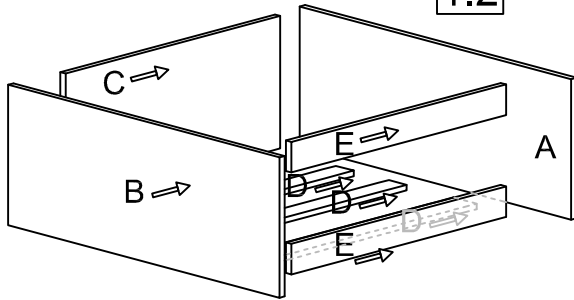
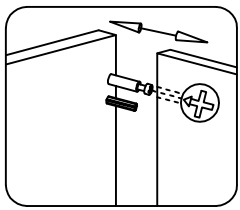
1



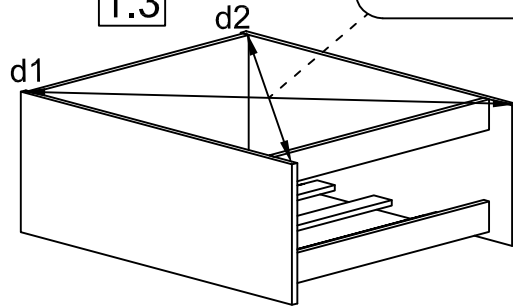
1.1



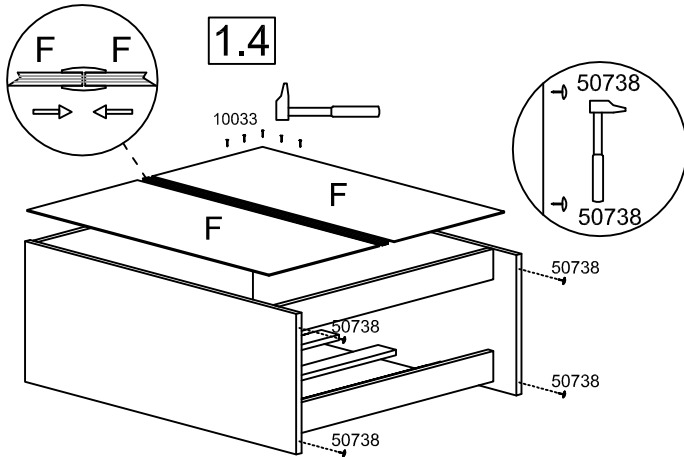
1.2



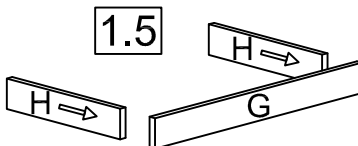
1.3



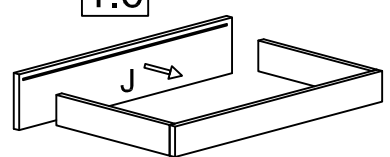
1.4



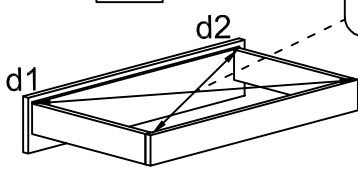
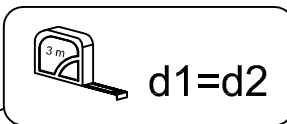
1.5



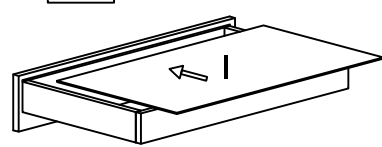
1.6



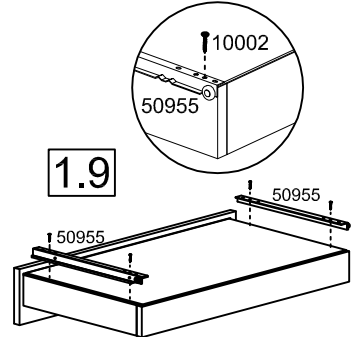
1.7



1.8



1.9



1.10

