

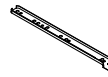
A × 8



E × 8



I × 2



CL × 2



B × 8



F × 4



J × 8



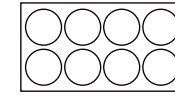
CR × 2



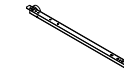
C × 16



G × 4



K × 1



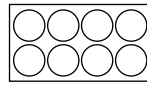
DL × 2



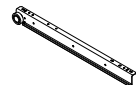
D × 24



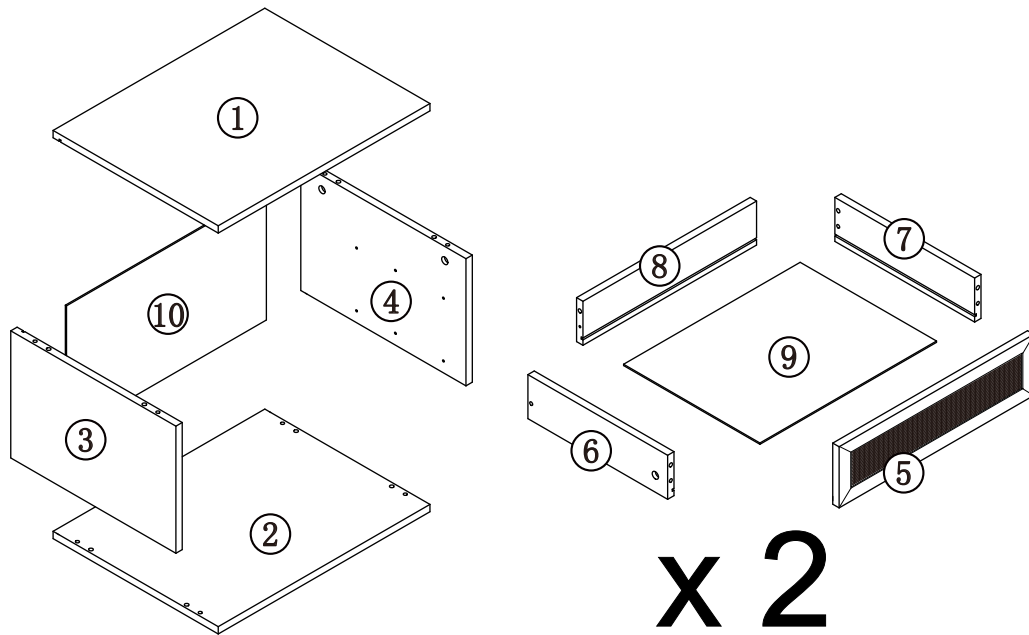
H × 20



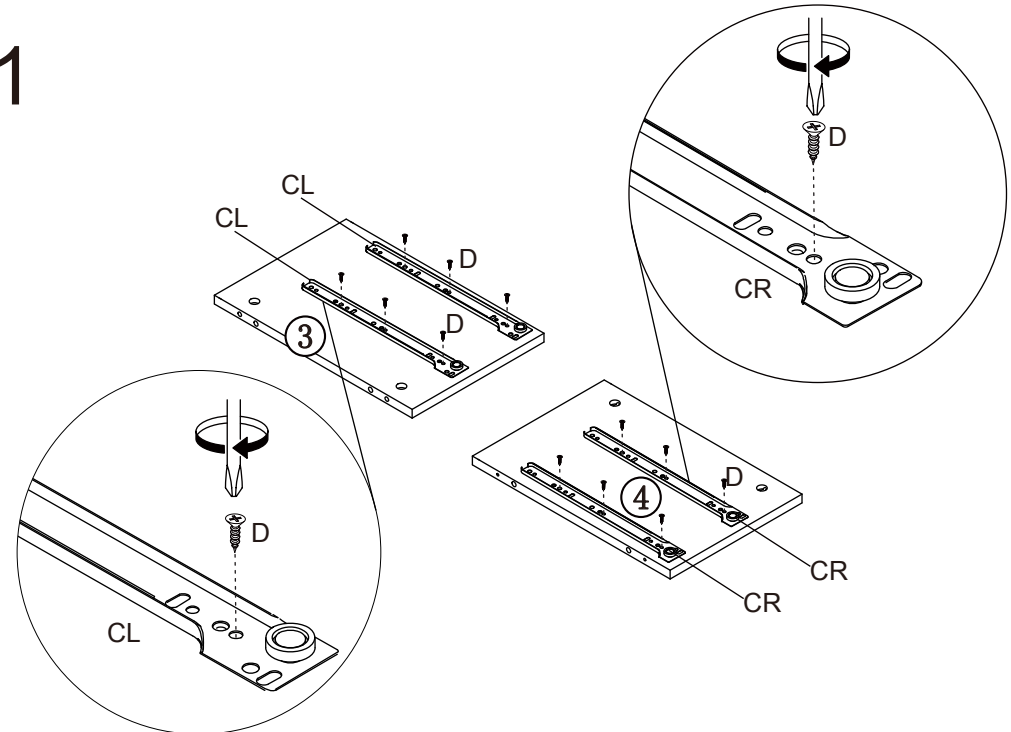
L × 1



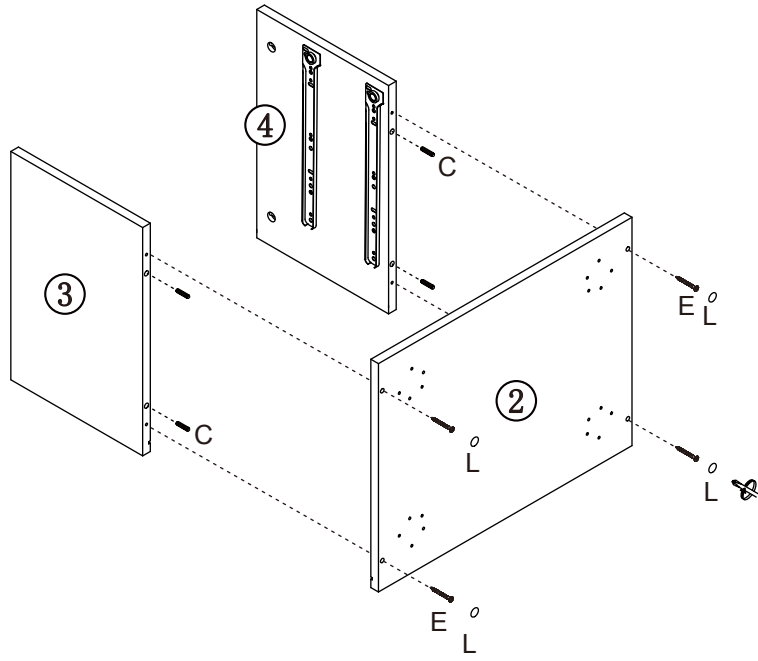
DR × 2



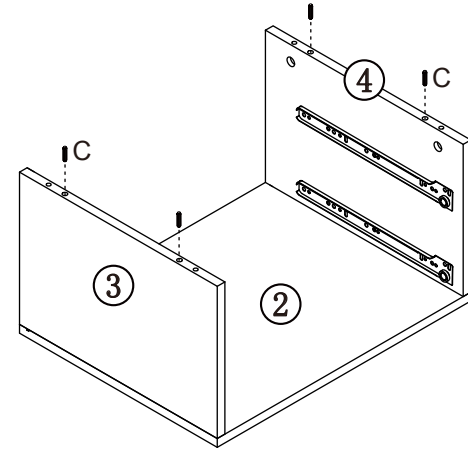
1



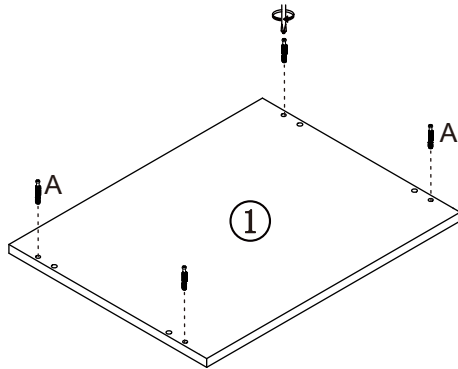
2



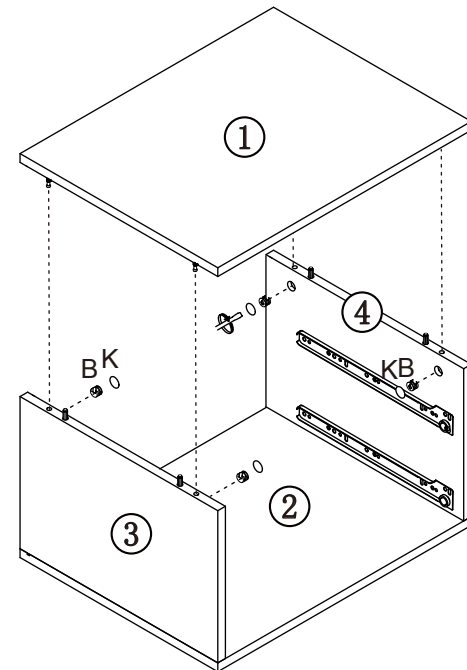
3



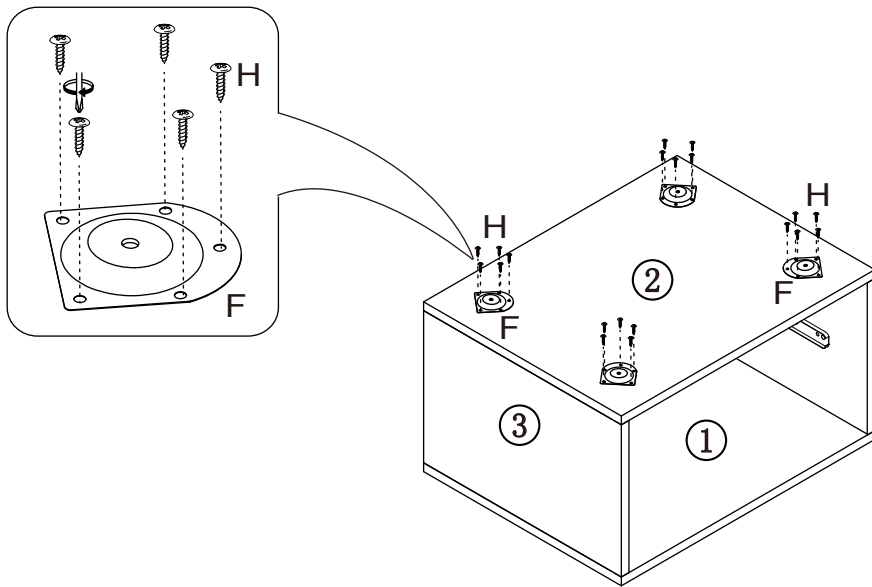
4



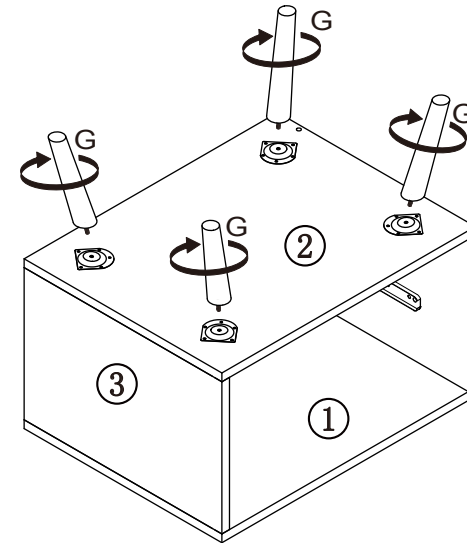
5



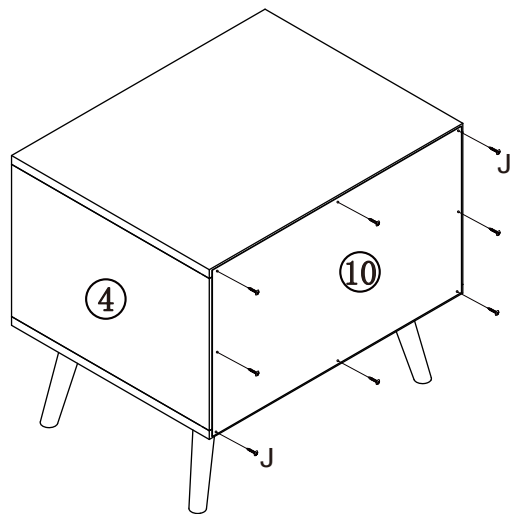
6



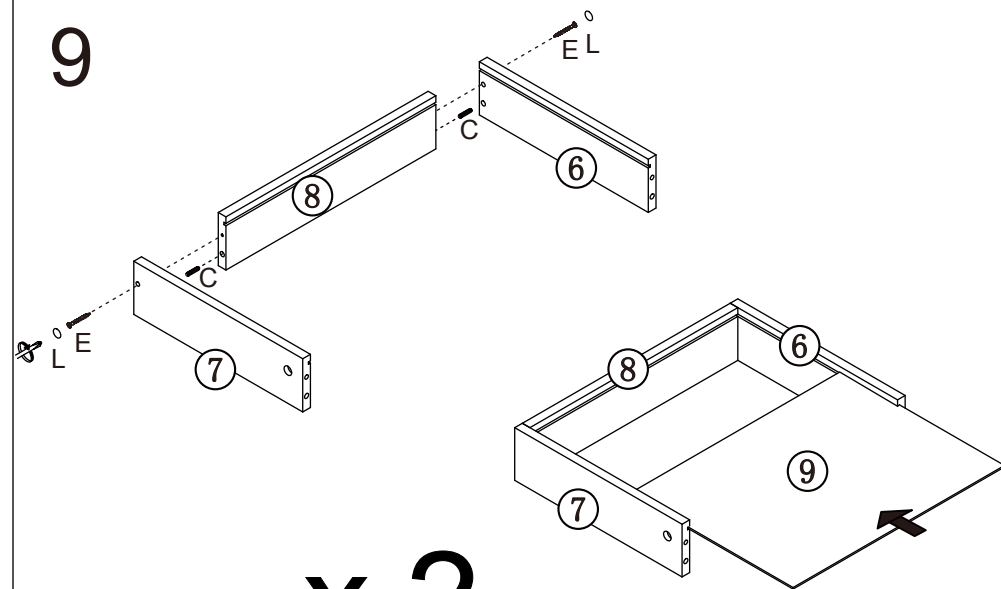
7



8

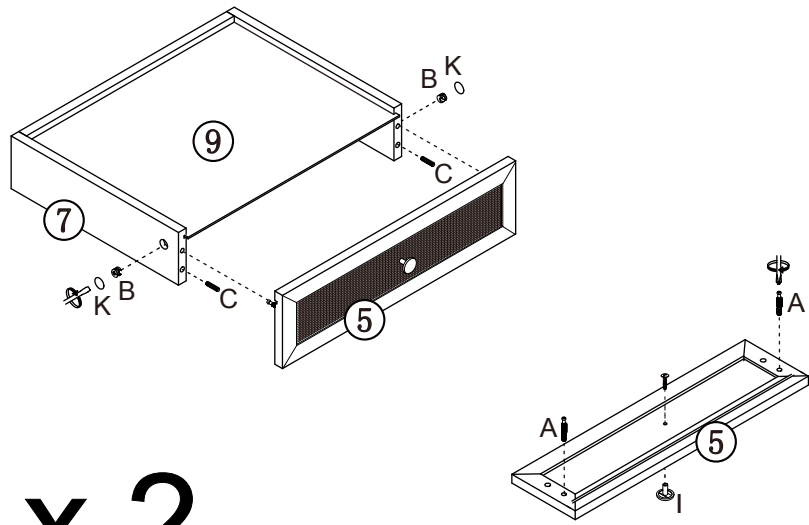


9



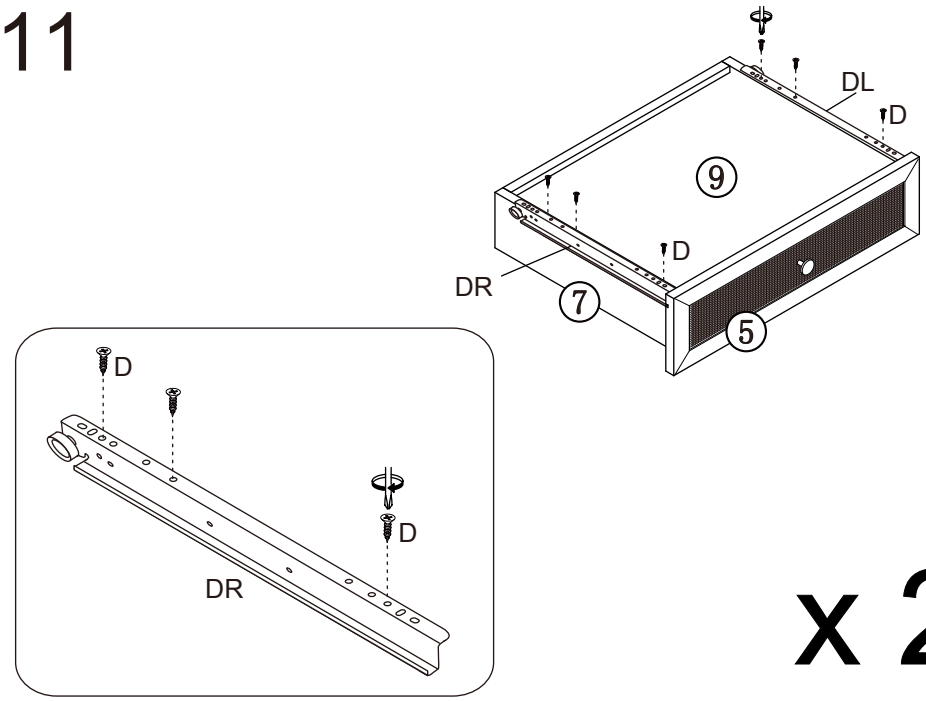
x 2

10



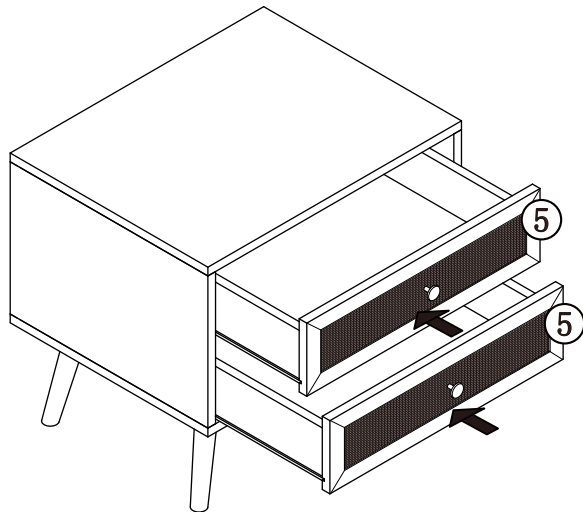
x 2

11



x 2

12



13

