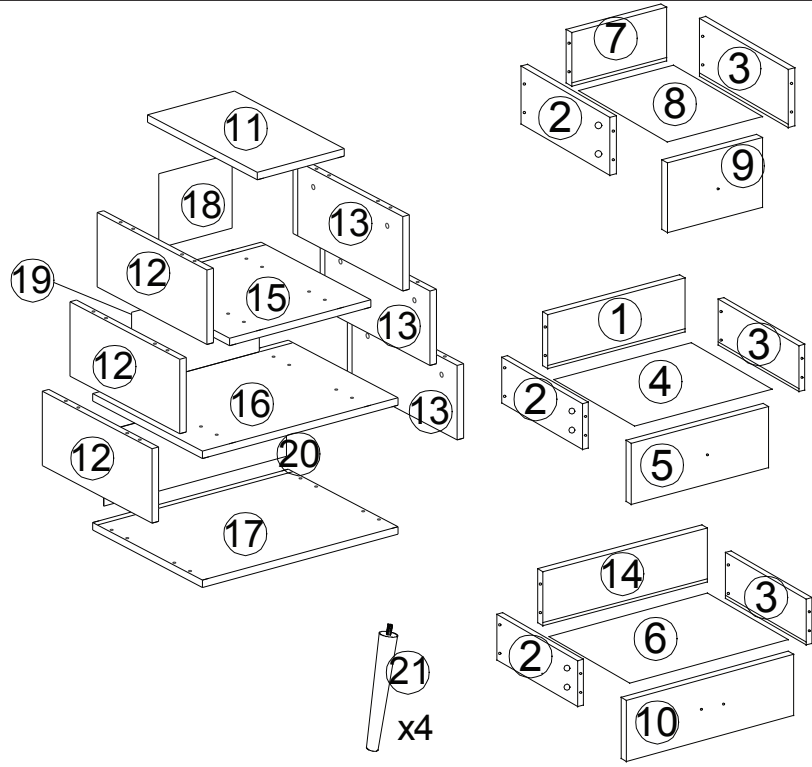


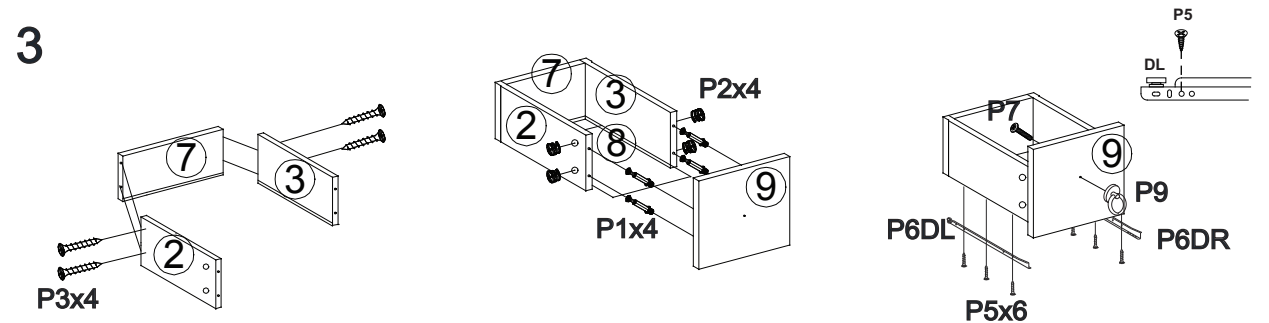
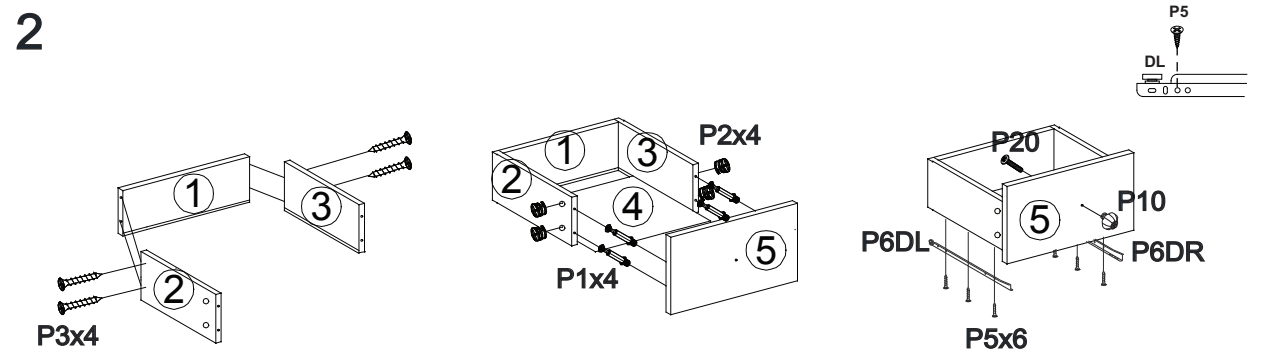
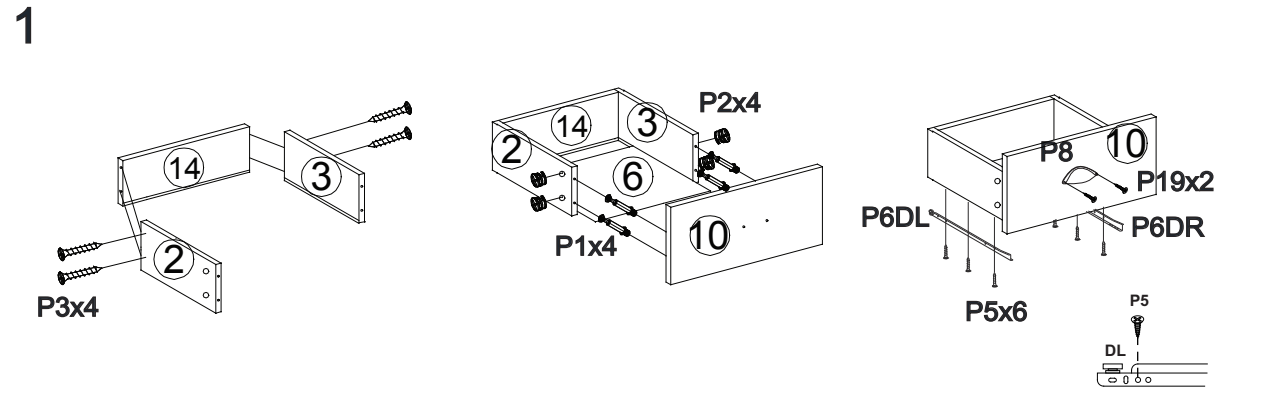
ΟΔΗΓΙΕΣ ΣΥΝΑΡΜΟΛΟΓΗΣΗΣ

ASSEMBLING INSTRUCTIONS

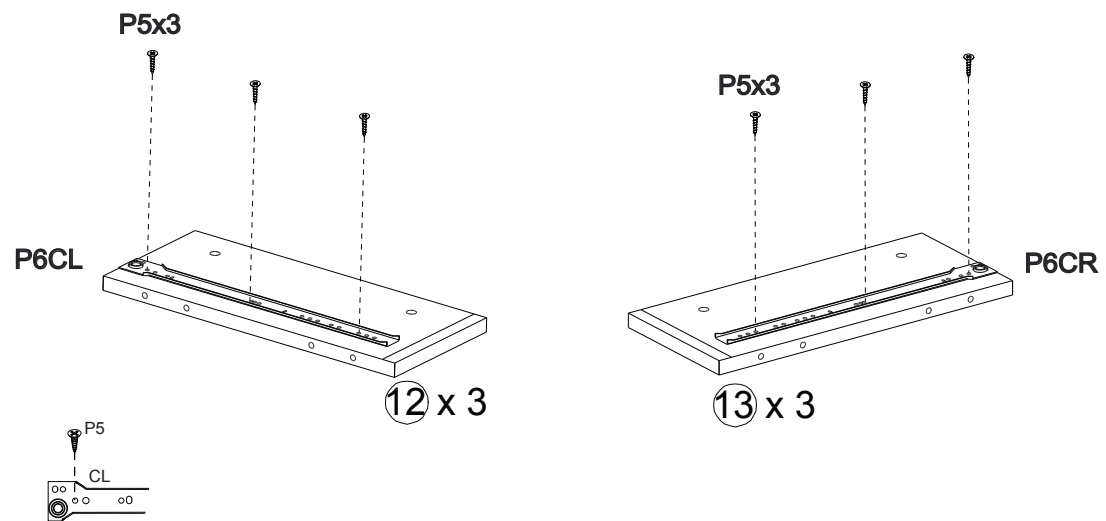


P1		24 PCS
P2		24 PCS
P3	M4X35mm	14 PCS
P4	M4x12mm	20 PCS
P5	M3.5x12mm	38 PCS
P6	CL DL DR CR	3 SETS
P7	M4x20mm	1 PC
P8		1 PC
P9		1 PC
P10		1 PC
P11		4 PCS
P12		1 PC

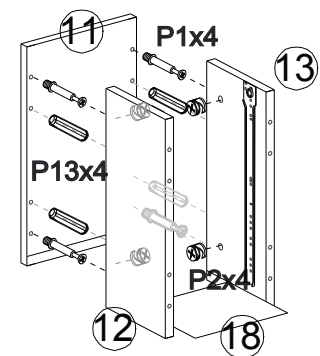
P13	M8x30mm	24 PCS
P14	M5x40mm	12 PCS
P15		2 PCS
P16		4 PCS
P17		2 PCS
P18		4 PCS
P19	M3.5x12mm	2 PCS
P20	M4x22mm	1 PC



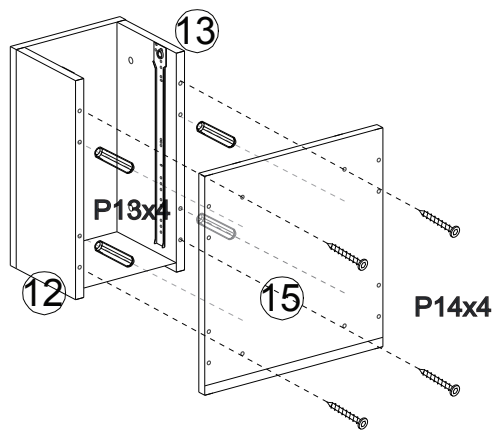
4



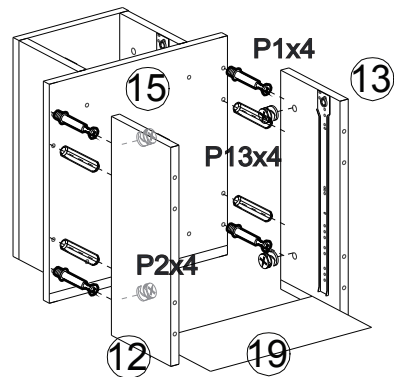
5



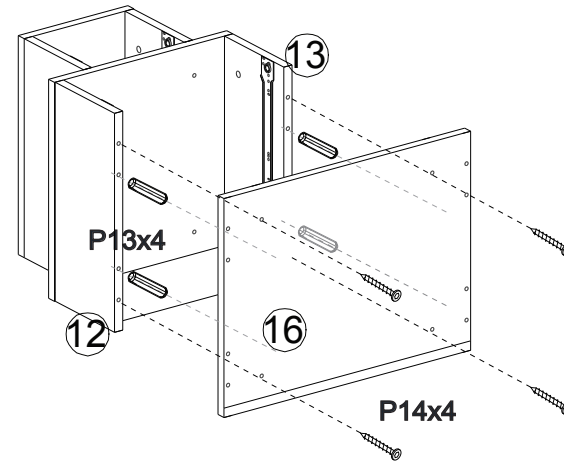
6



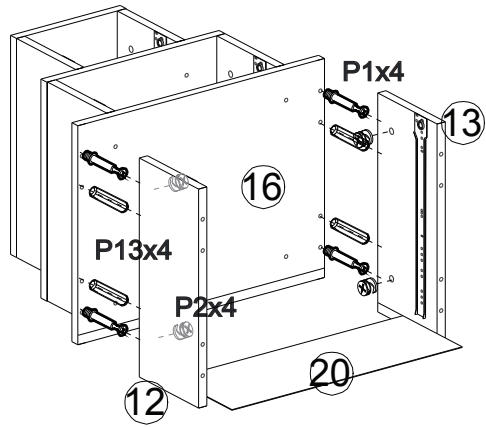
7



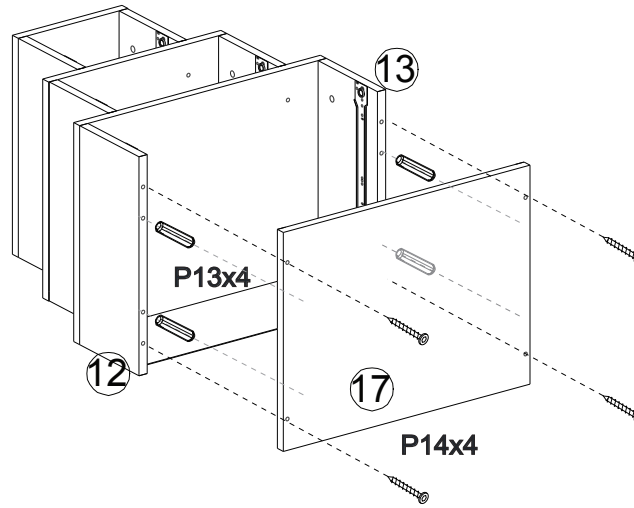
8



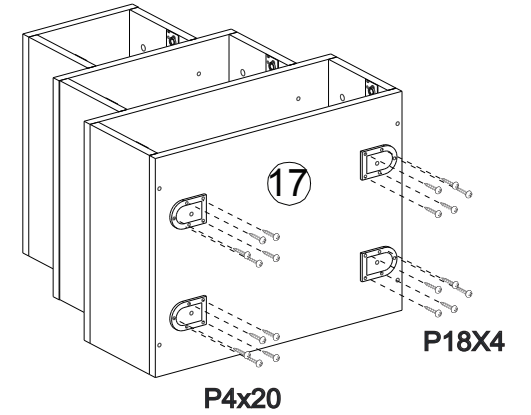
9



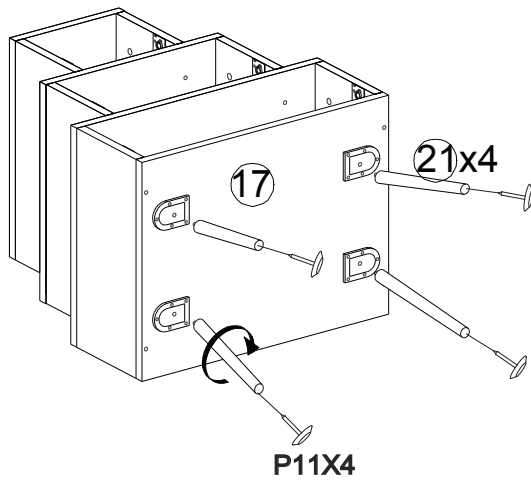
10



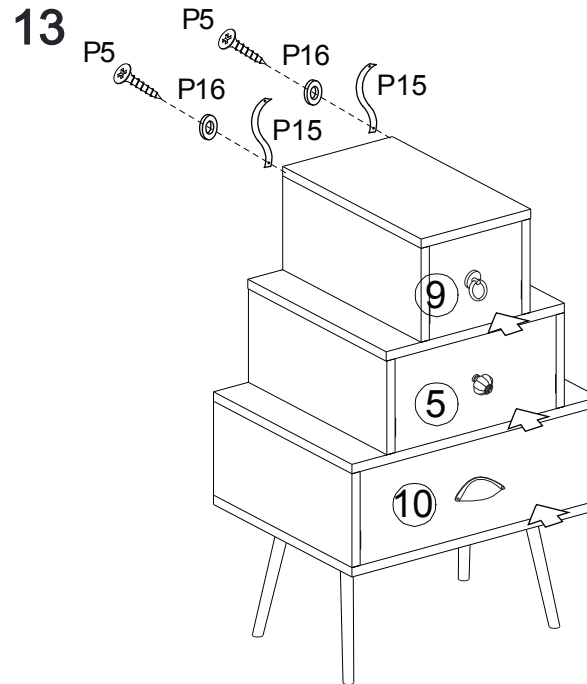
11



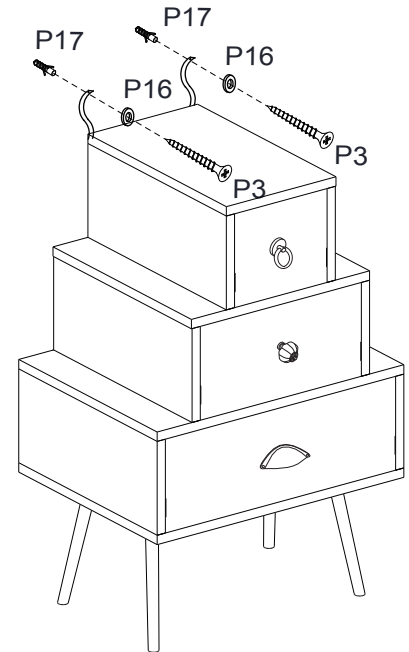
12



13



14



ΠΡΟΤΕΙΝΕΤΑΙ Η ΣΤΗΡΙΞΗ ΣΤΟΝ ΤΟΙΧΟ
MOUNTING TO THE WALL IS SUGGESTED