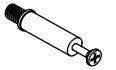


AX22



BX12



CX38



DX38



EX18



FX6



GX3



HX6



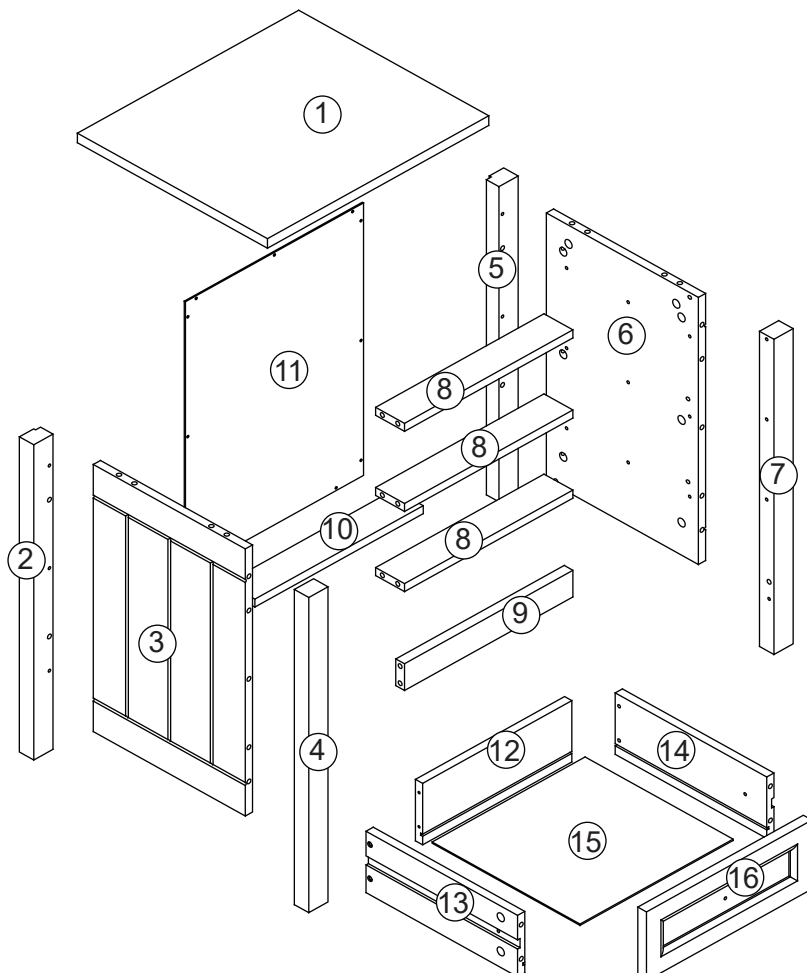
IX4



JX11

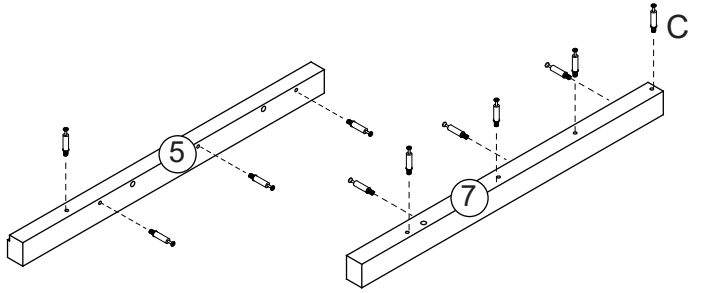
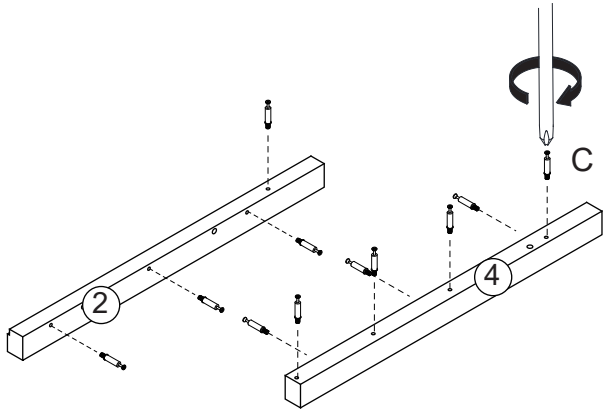
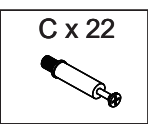


K X 2

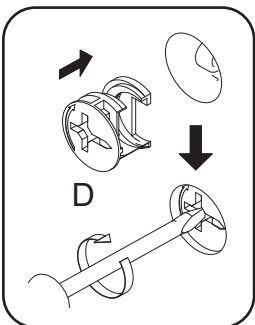
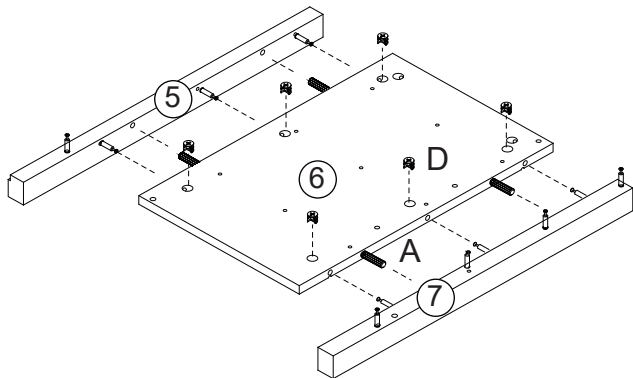
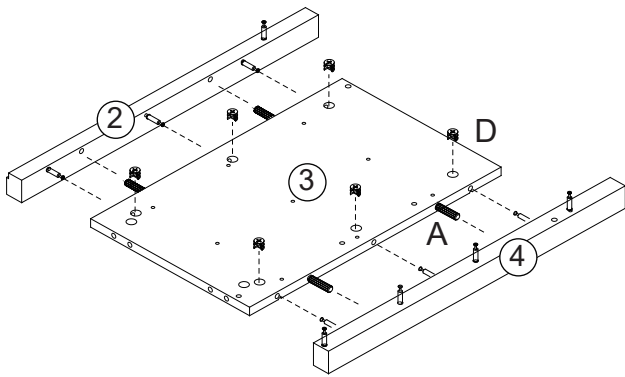
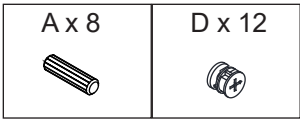


**X3**




1

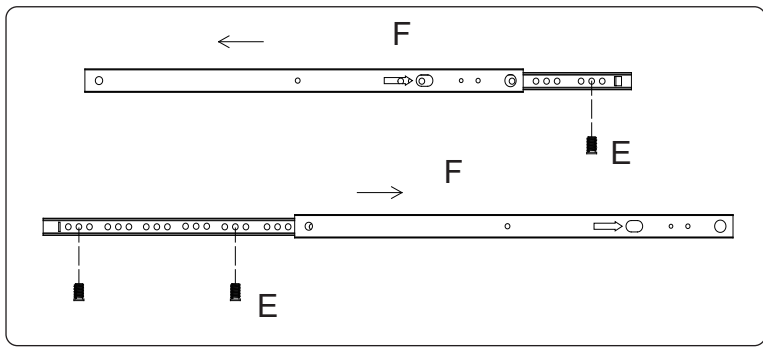
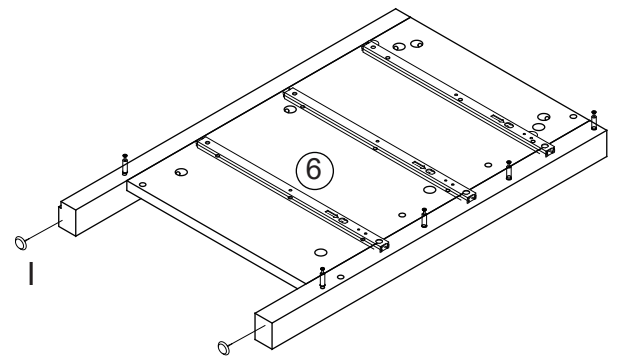
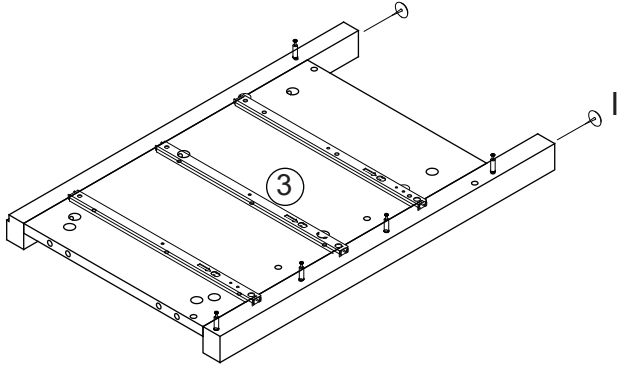


2





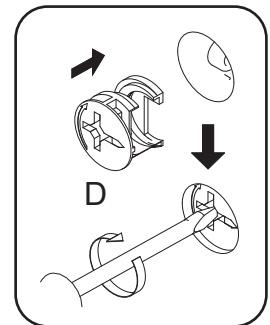
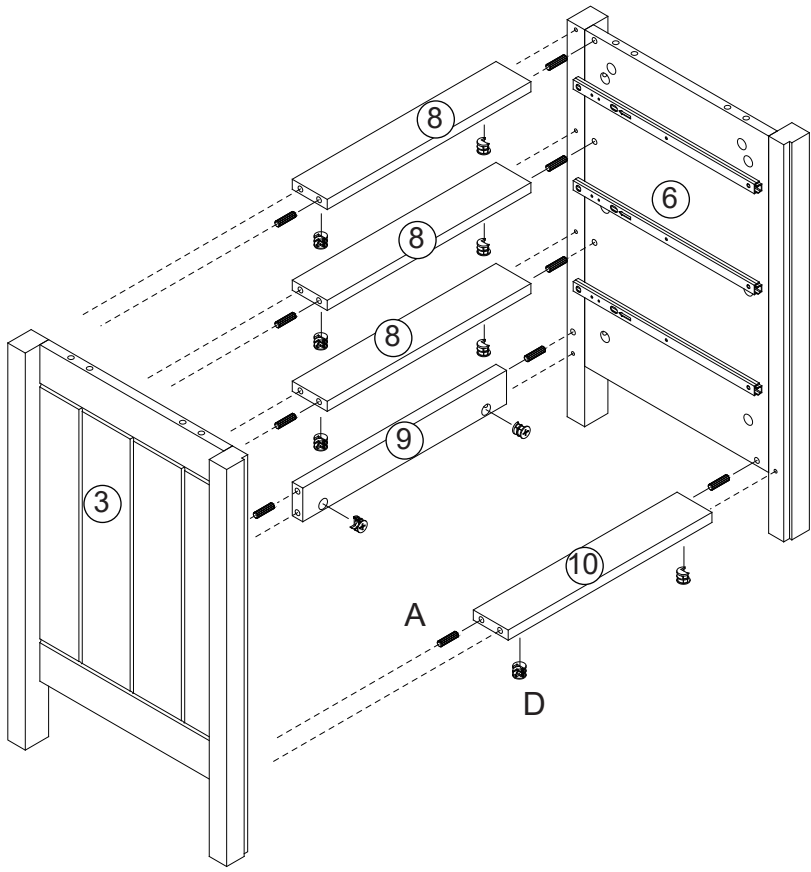
# 3

E x 18 	F x 6 	I x 4 
---	--	--






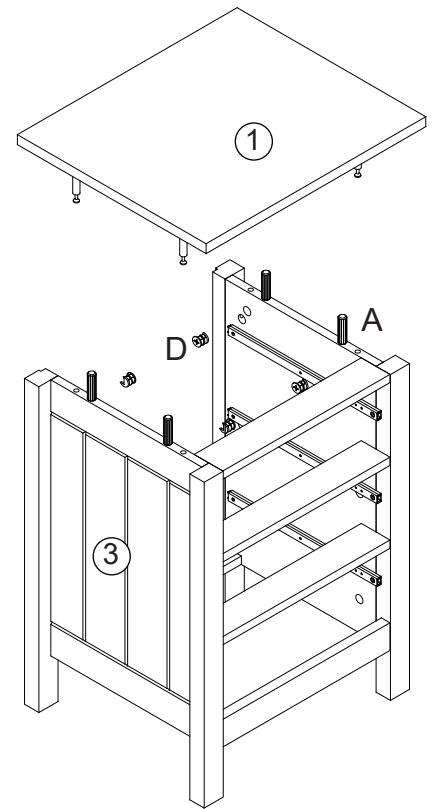
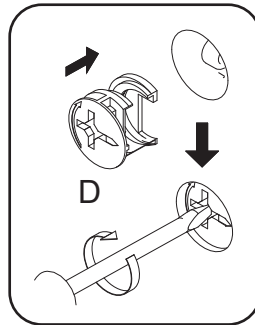
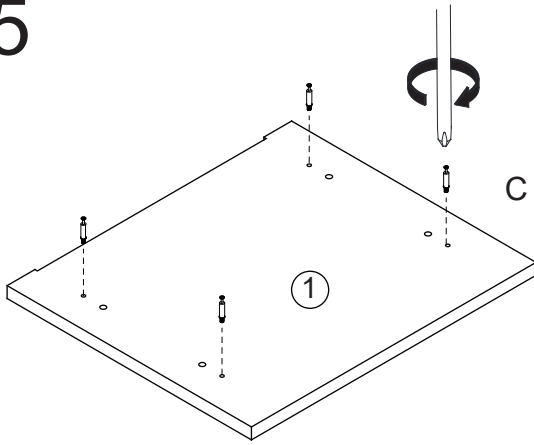
# 4

A x 10 	D x 10 
---	---




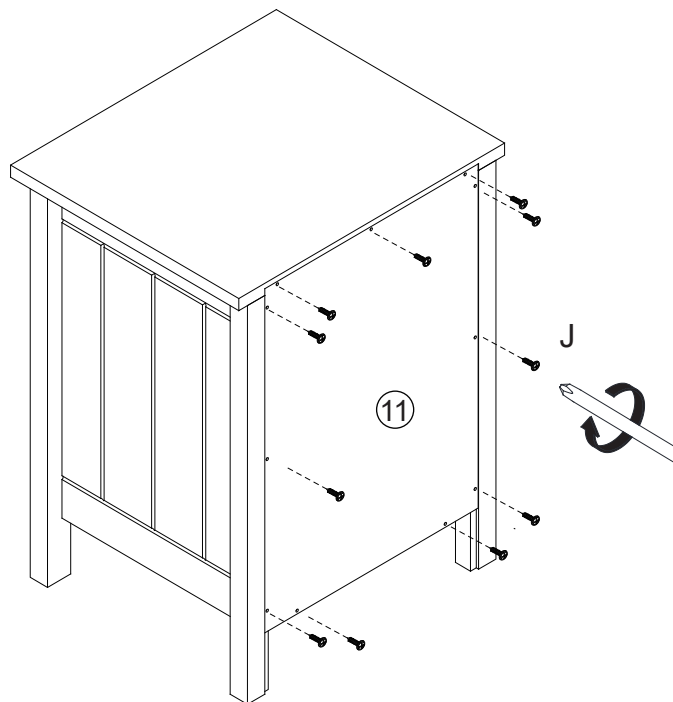
5

A x 4 	C x 4 	D x 4 
--	--	--







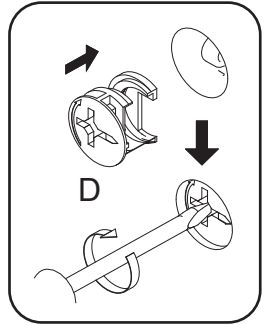
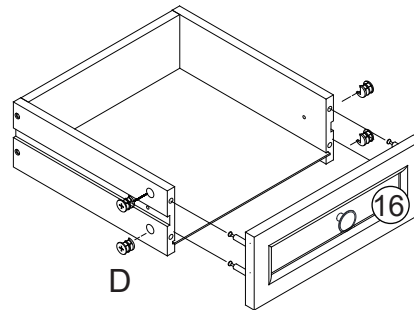
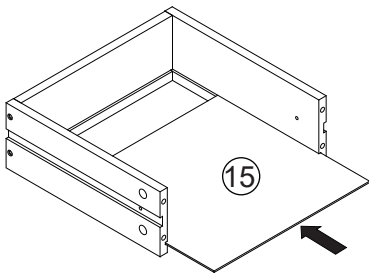
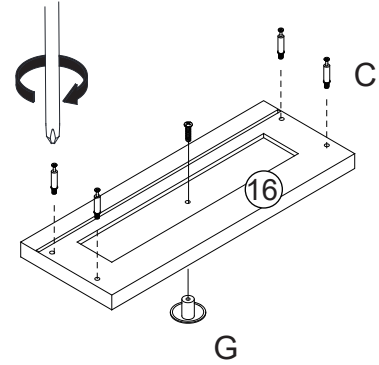
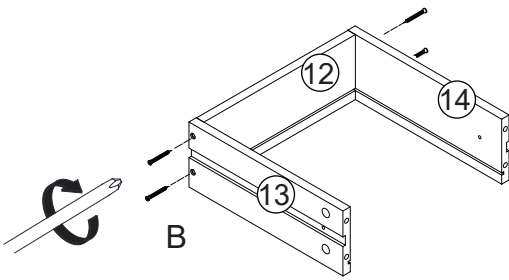
6

J x 11 
---





7

B x 12 	C x 12 	D x 12 	G x 3 
--	---	---	--



X3

8

H x 6 	K x 2 
--	--

