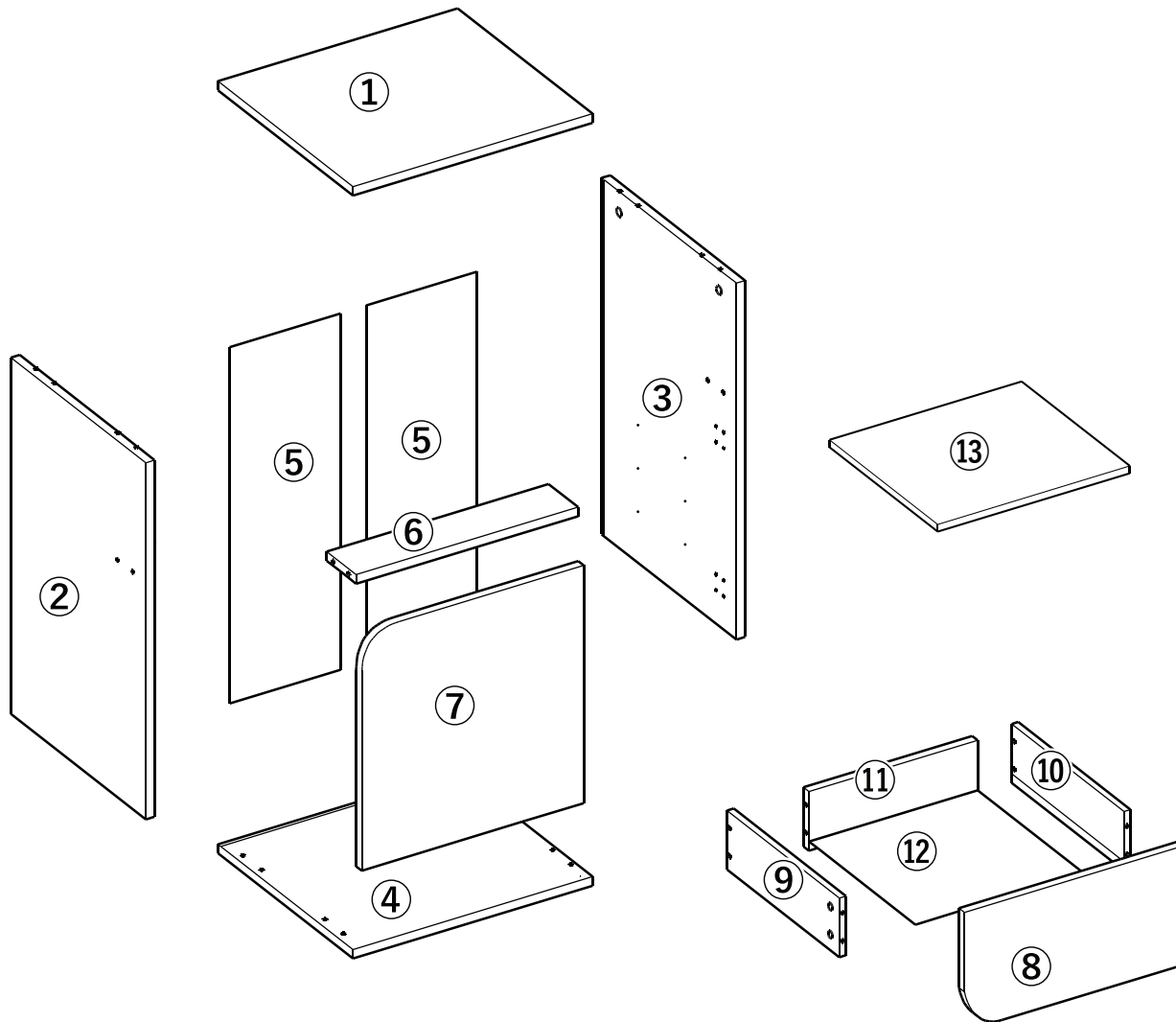


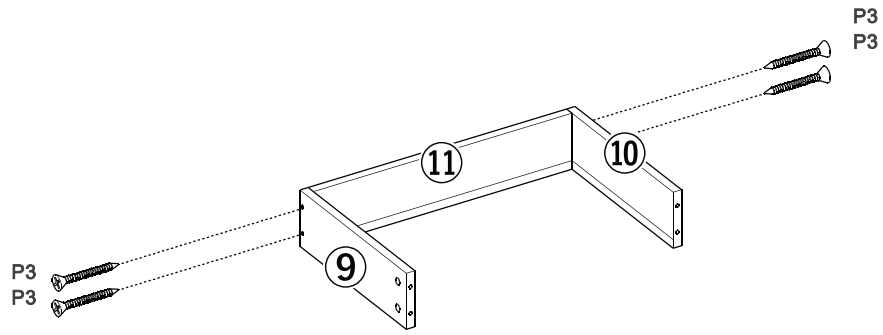
ΟΔΗΓΙΕΣ ΣΥΝΑΡΜΟΛΟΓΗΣΗΣ

ASSEMBLING INSTRUCTIONS

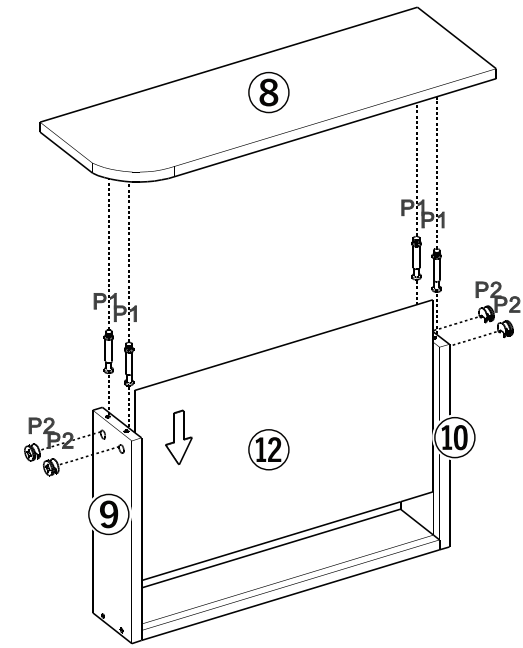


P1		8 PCS
P2		8 PCS
P3	M4X35mm	6 PCS
P4	M8x30mm	8 PCS
P5	M3.5x12mm	14 PCS
P6	CL DL DR CR	1 SET
P7	M5x40mm	8 PCS
P8	M4x12mm	12 PCS
P9		2 PCS
P10		4 PCS
P11		2 PCS
P12		4 PCS
P13	M4x20mm	4 PCS
P14		2 SETS
P15		4 PCS
P16		1 PC
P17		1 PC
P18		4 PCS

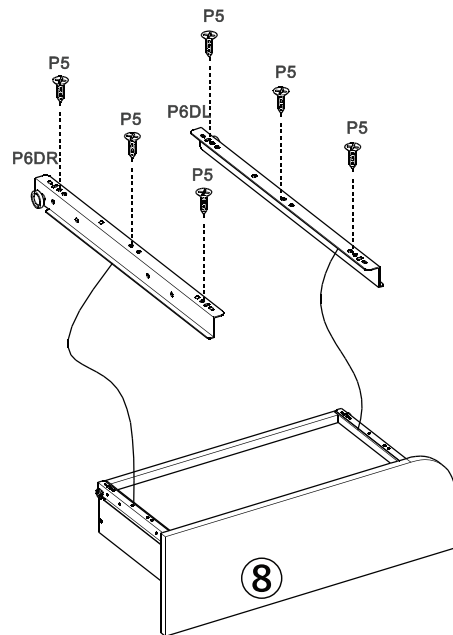
1



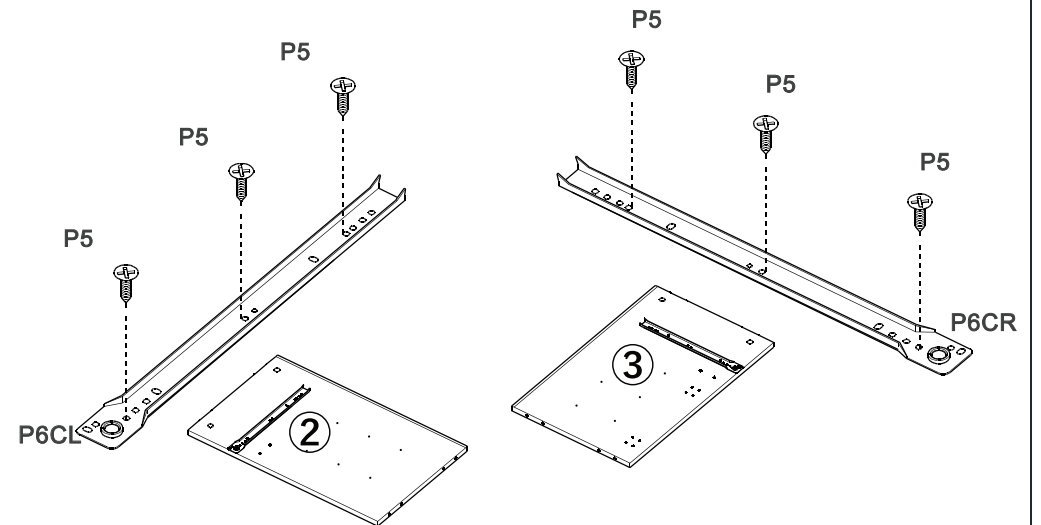
2



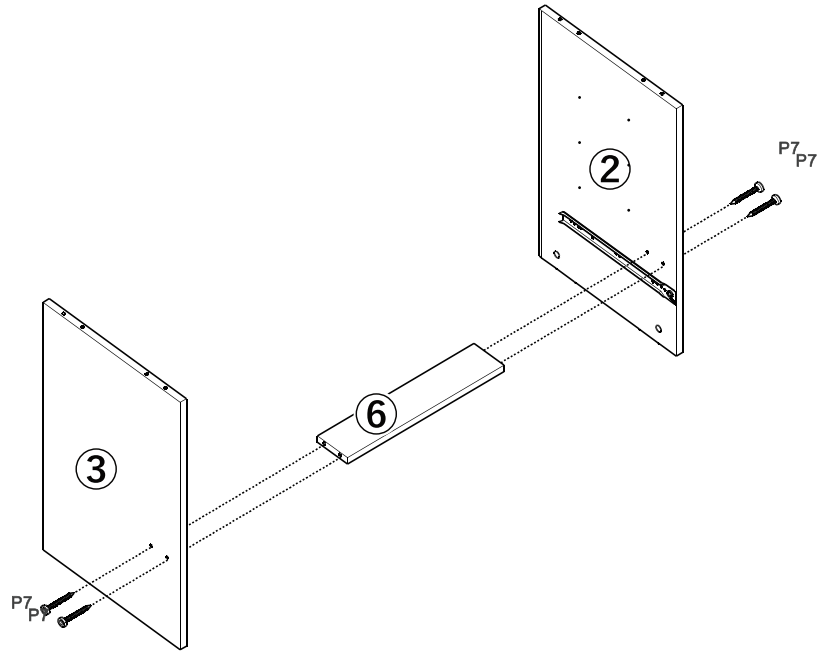
3



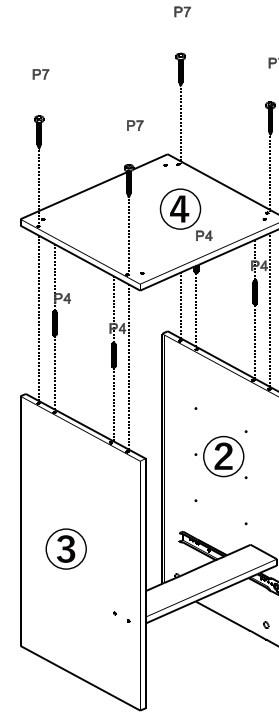
4



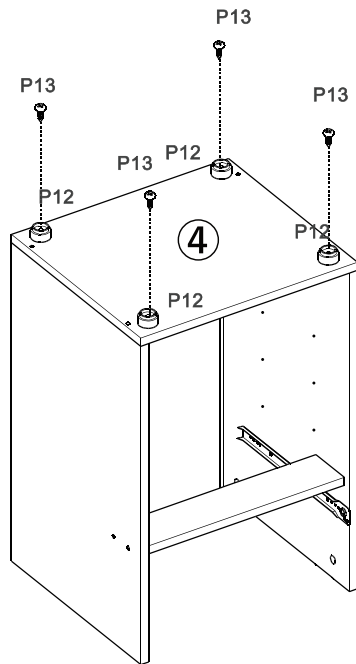
5



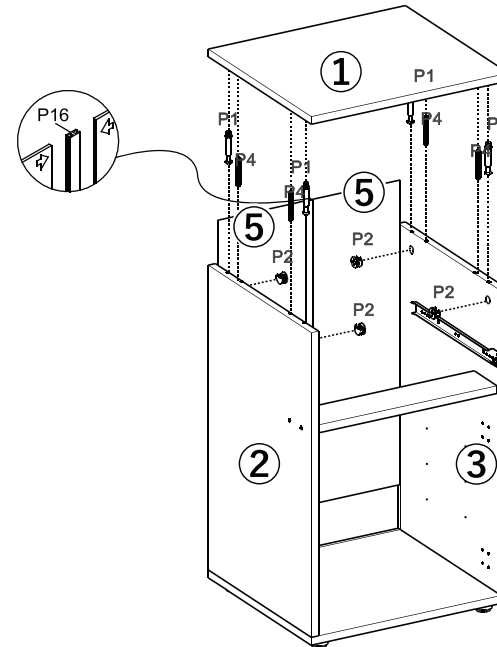
6



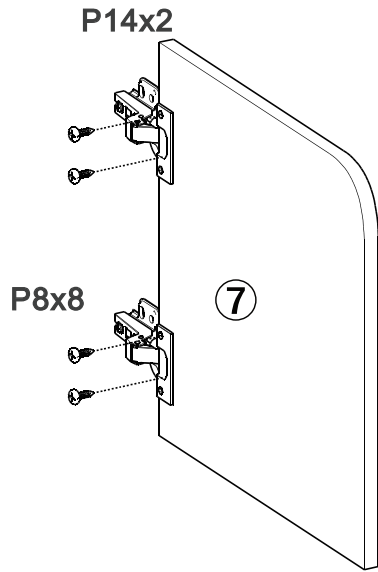
7



8

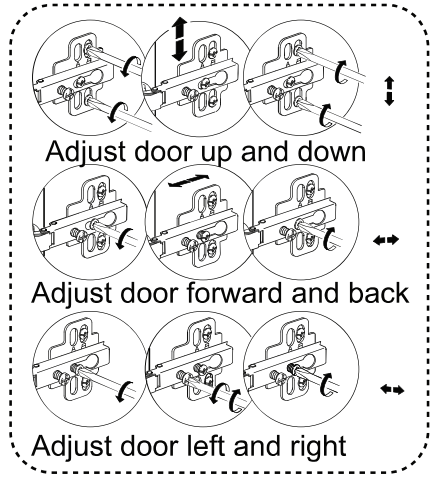


9

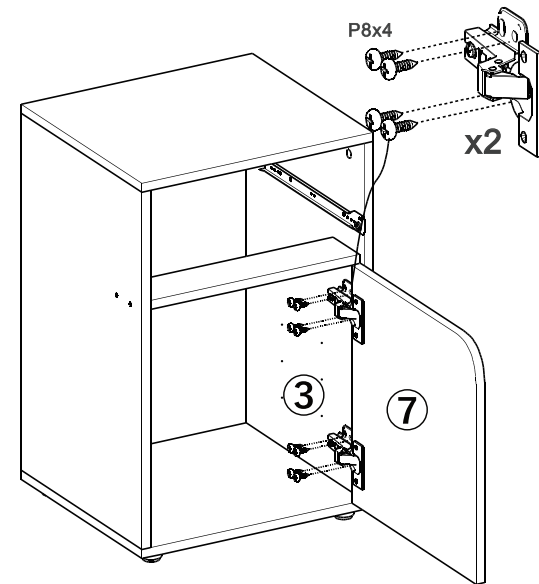
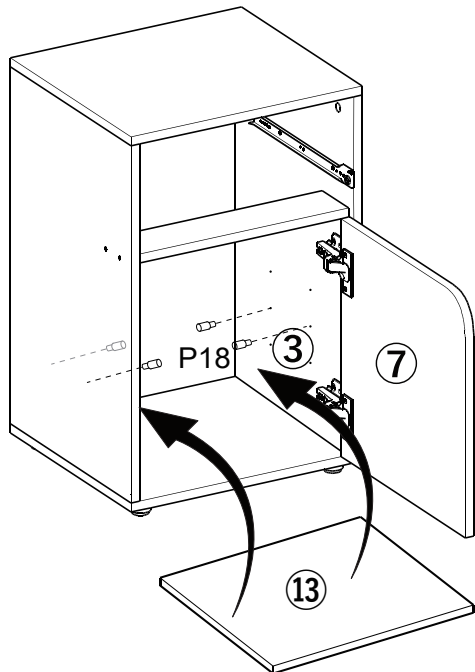


10

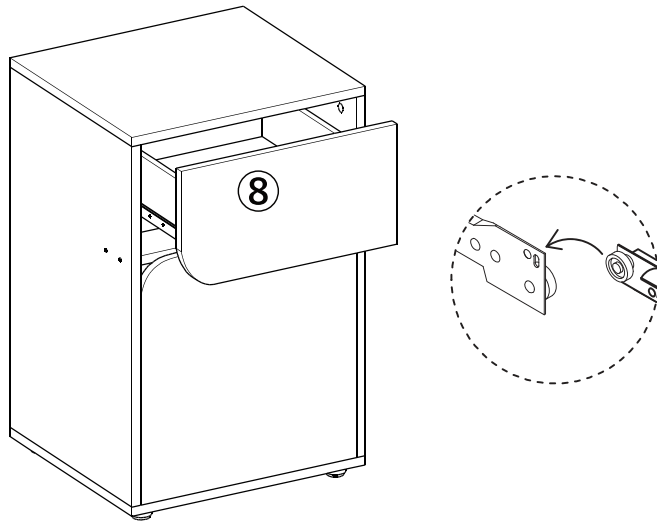
How to Adjust Door Hinges



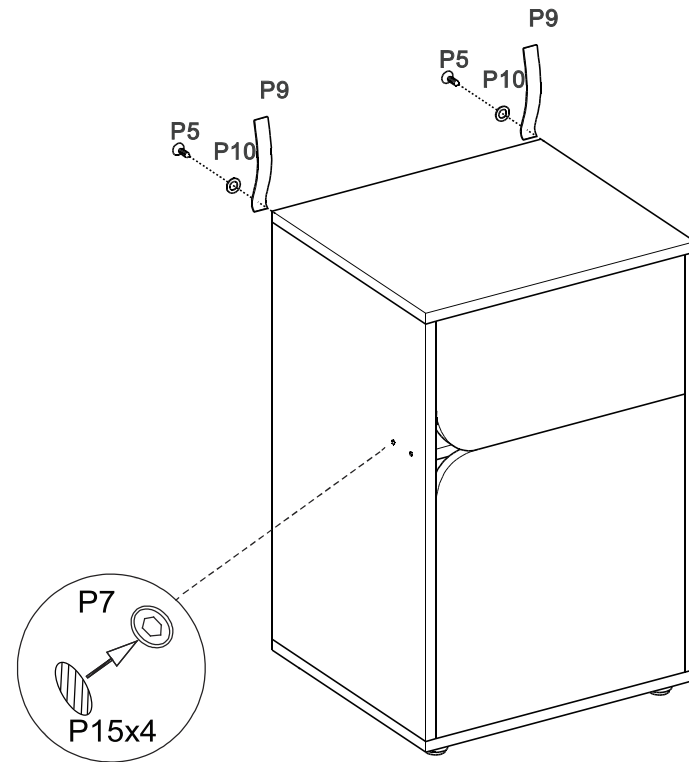
11



12



13



14

