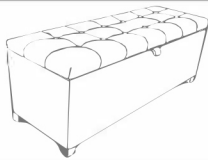


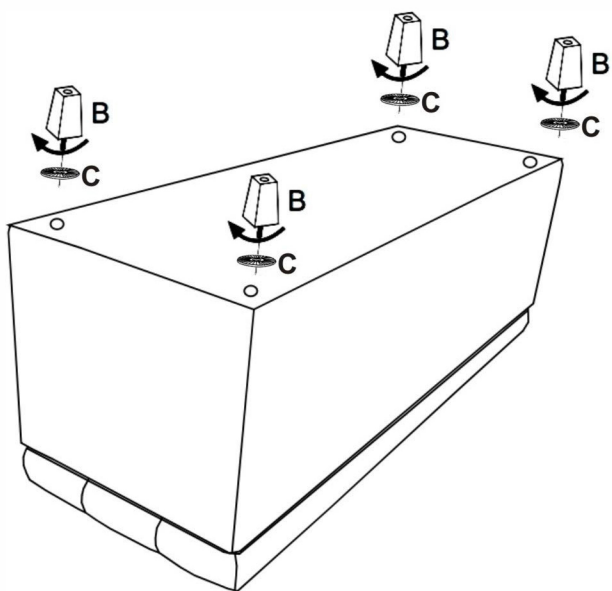


(A)		X1 /TEM
(B)		X4 /TEM
(C)		X4 /TEM

1



2

