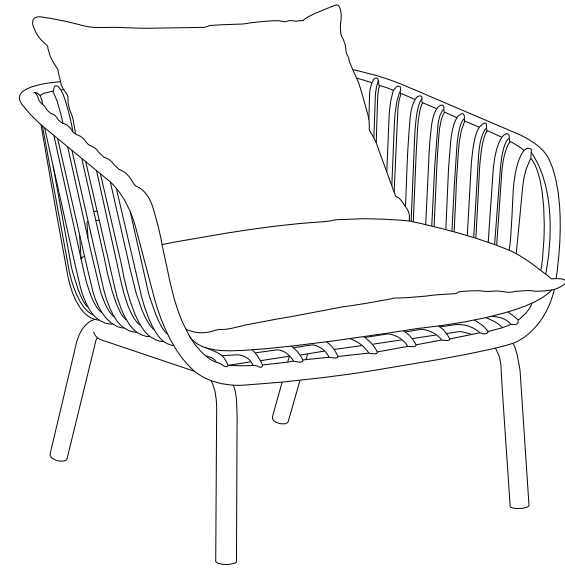
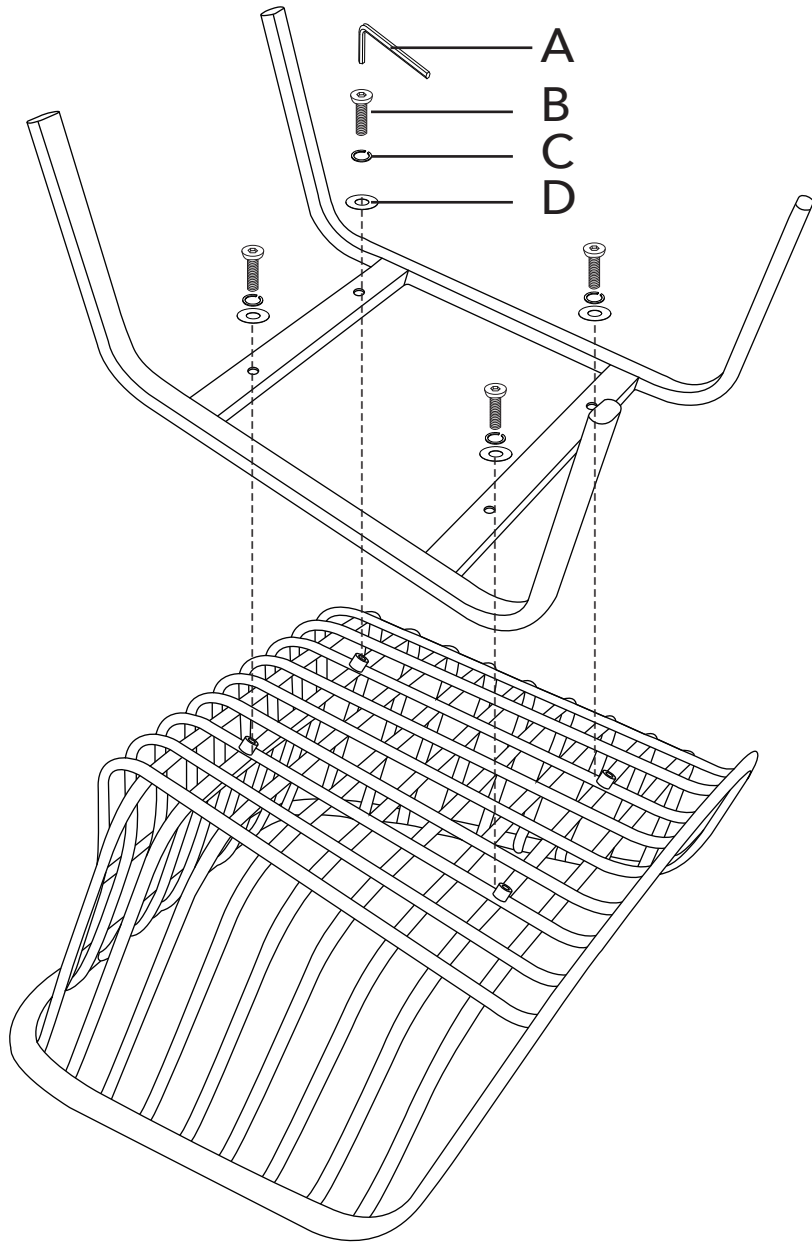
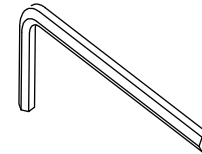


ASSEMBLY INSTRUCTION

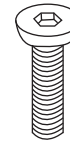


A



X1

B



X4

C



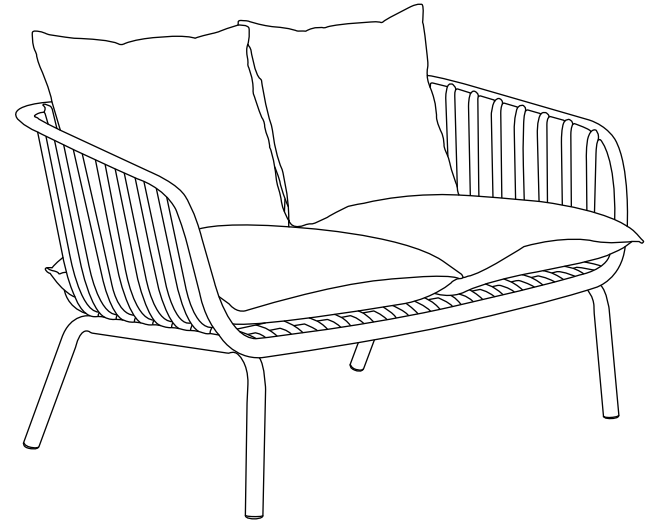
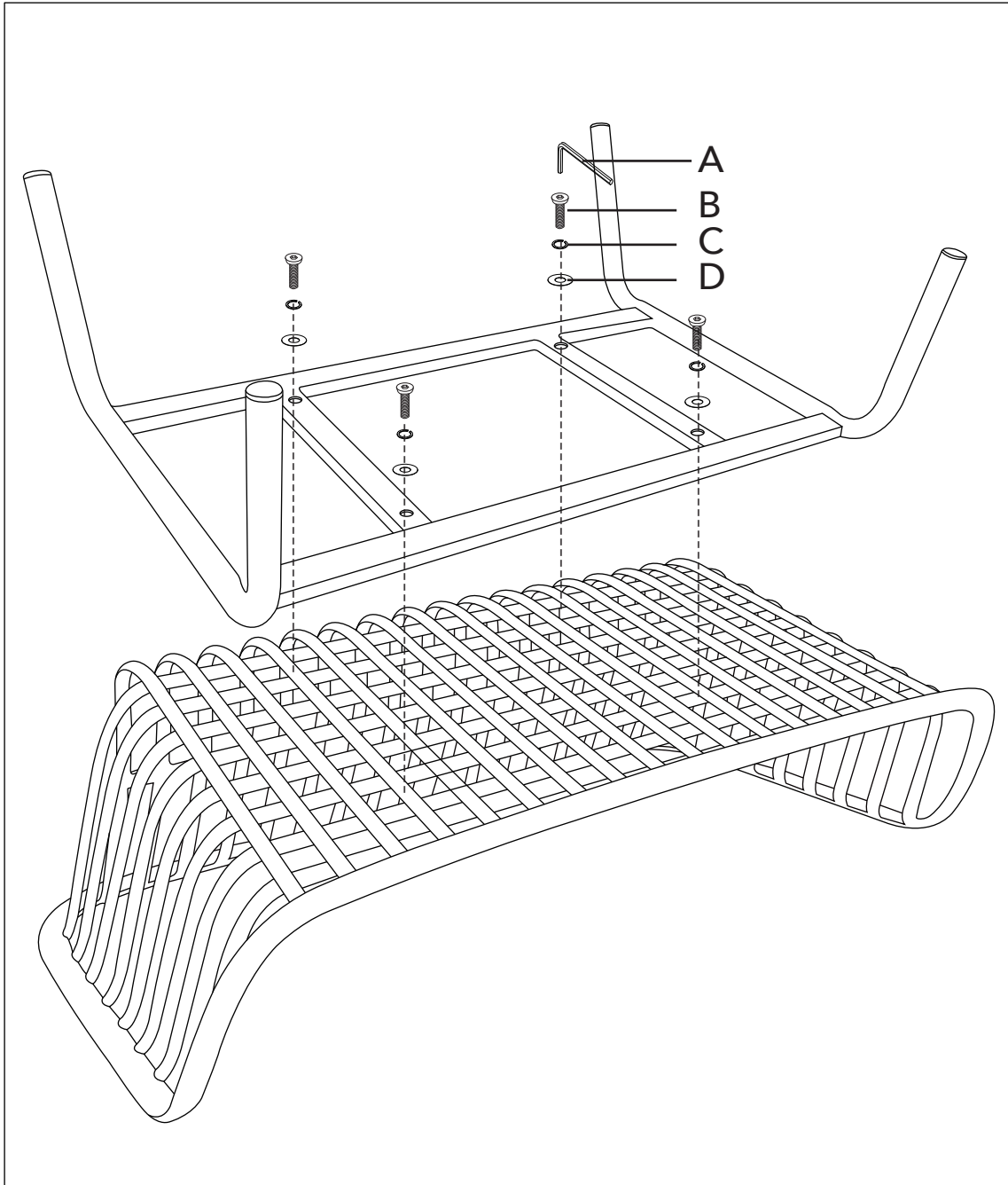
X4

D

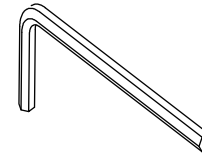


X4

ASSEMBLY INSTRUCTION



A



X1

B



X4

C



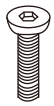
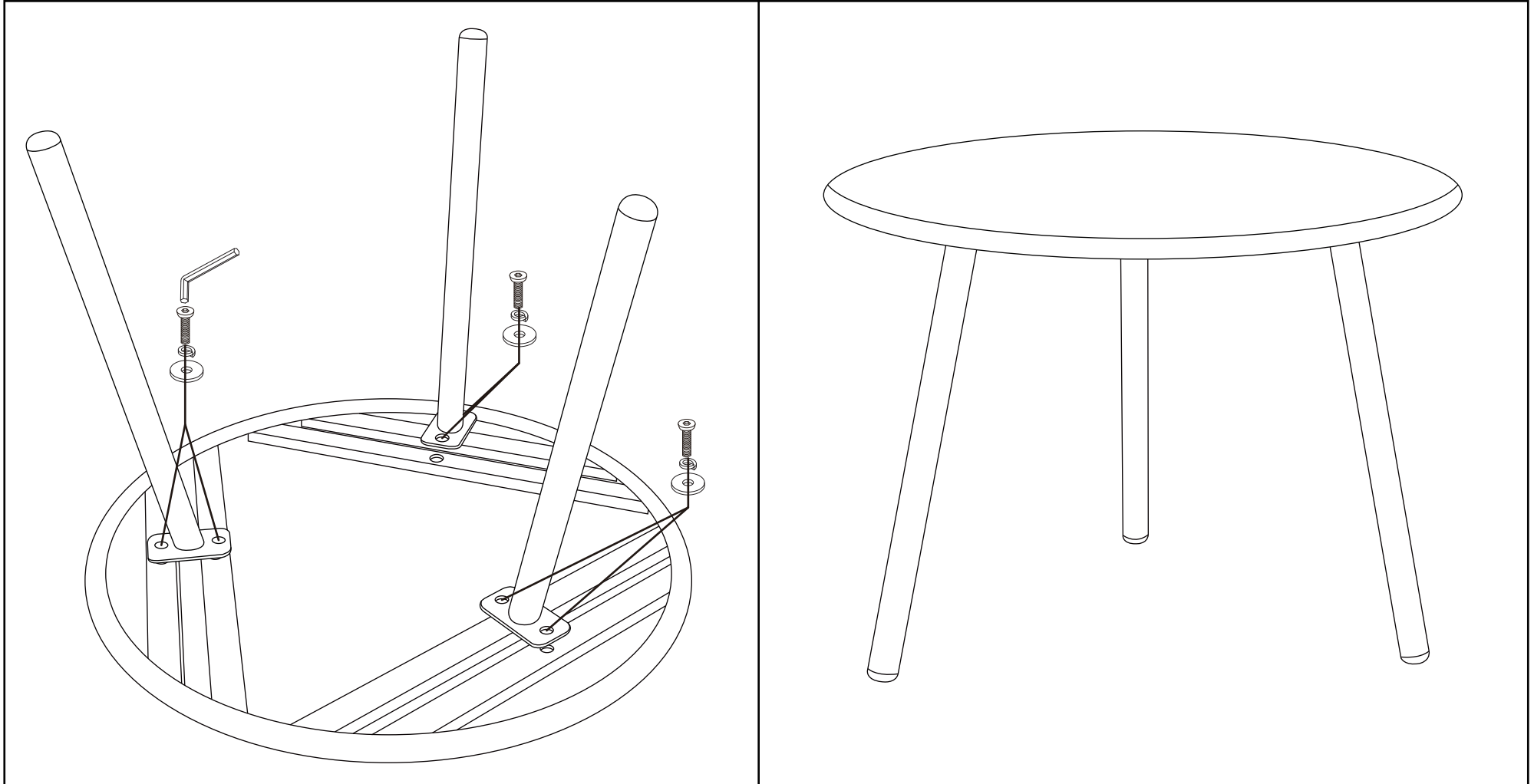
X4

D



X4

ASSEMBLY INSTRUCTION



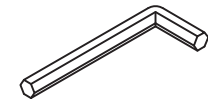
Ax6



Bx6



Cx6



Dx1