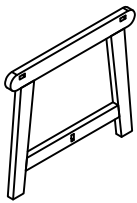
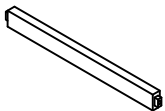


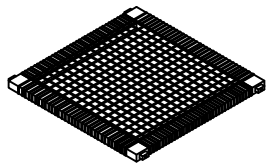
① x 2



② x 1



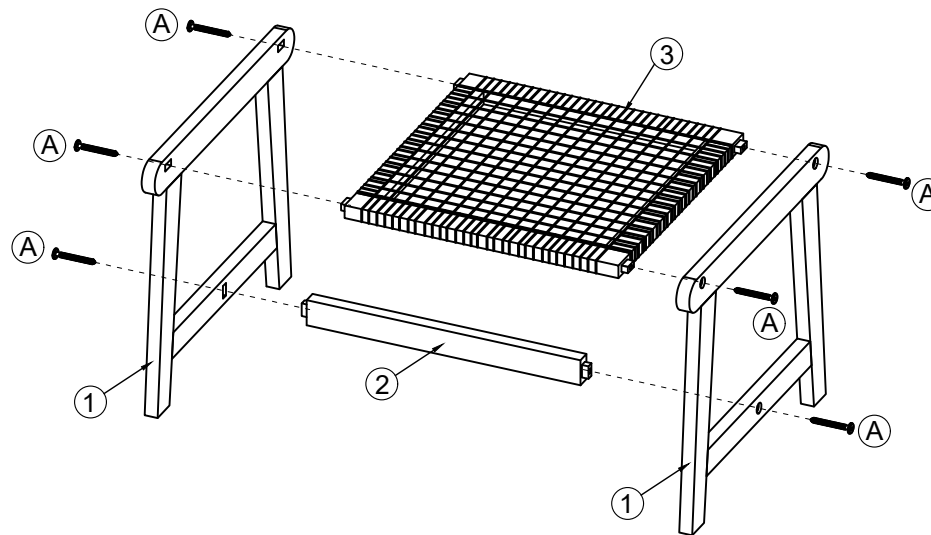
③ x 1



ASSEMBLY INSTRUCTION

STOOL

STEP 1



STEP 2

