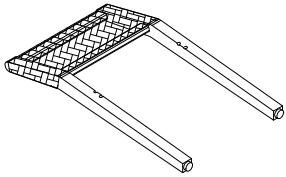


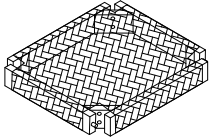
ASSEMBLY INSTRUCTION

DINING CHAIR

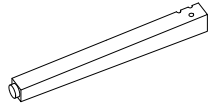
① x 1



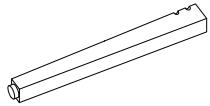
② x 1



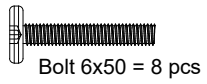
③ x 1



④ x 1



(A)



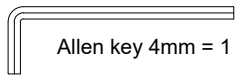
Bolt 6x50 = 8 pcs

(B)



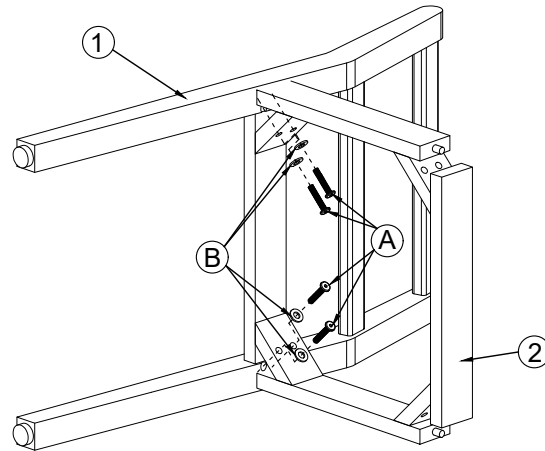
Washer 20x6x2mm = 8 pcs

(C)

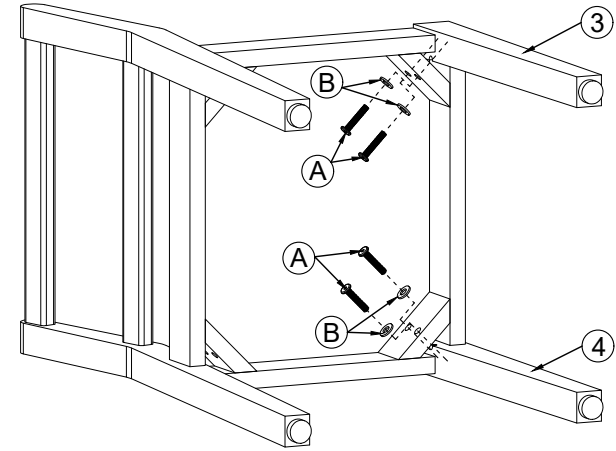


Allen key 4mm = 1 pc

STEP 1



STEP 2



STEP 3

