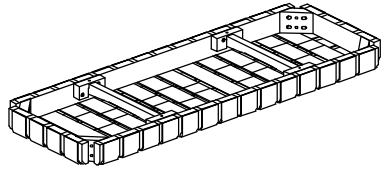


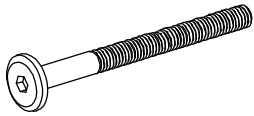
① x 1



② x 4



Ⓐ



Bolt 6x55 = 8 pcs

Ⓑ



Washer 20x6.5x2mm = 8 pcs

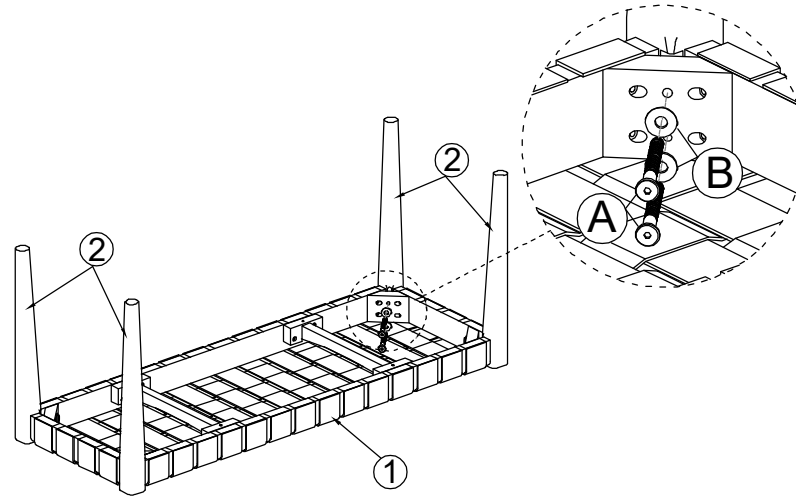
Ⓒ



Hex key 4mm = 1 pc

# ASSEMBLY INSTRUCTION

## VERSO BENCH HDPE



Hardware used:

Ⓐ Bolt 6x55= 8pcs

Ⓑ Washer 20x6.5x2= 8pcs

