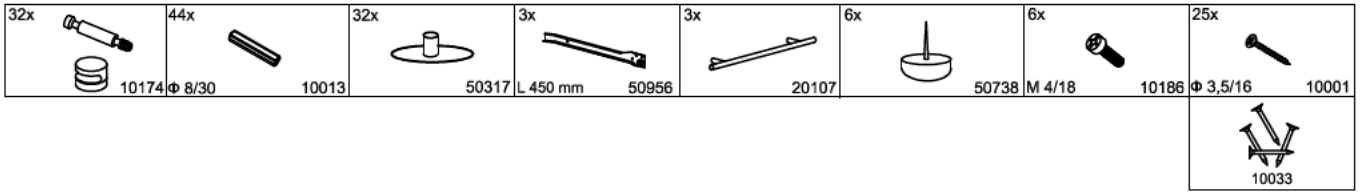
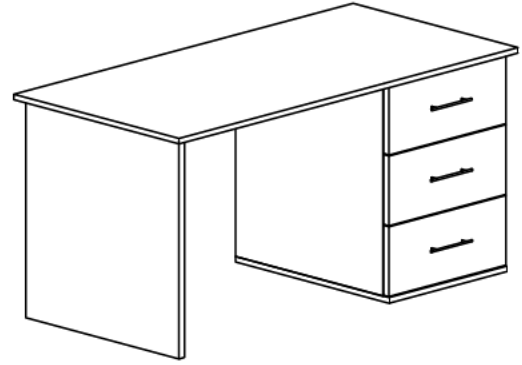
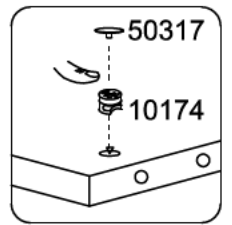
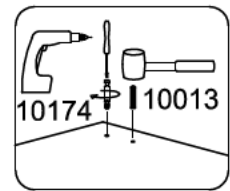
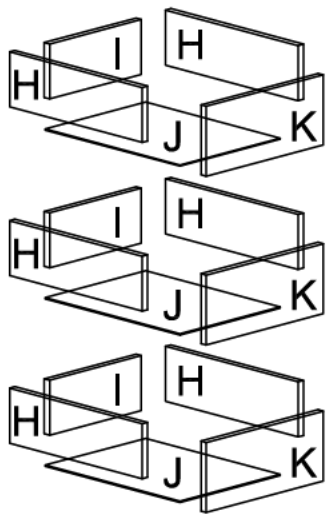
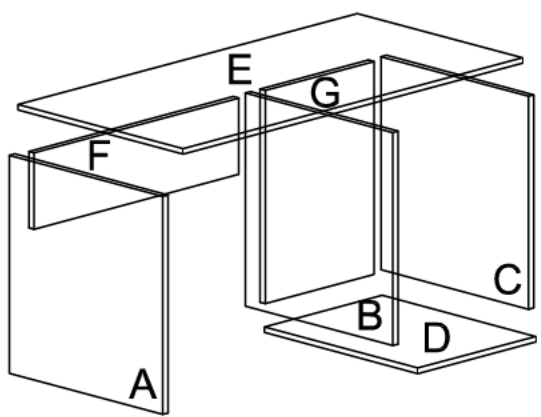


**2 ΧΡΟΝΙΑ ΕΓΓΥΗΣΗ**

|   |            |     |
|---|------------|-----|
| A | 714x520    | 2/2 |
| B | 698x500    | 2/2 |
| C | 698x500    | 2/2 |
| D | 400x520    | 1/2 |
| E | 1150x560   | 1/2 |
| F | 694x250    | 1/2 |
| G | 368x698    | 1/2 |
| H | 6x 450x180 | 1/2 |
| I | 3x 311x180 | 1/2 |
| J | 3x 340x456 | 2/2 |
| K | 3x 397x229 | 1/2 |



1



1.1

