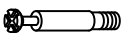

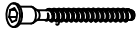


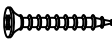
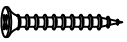





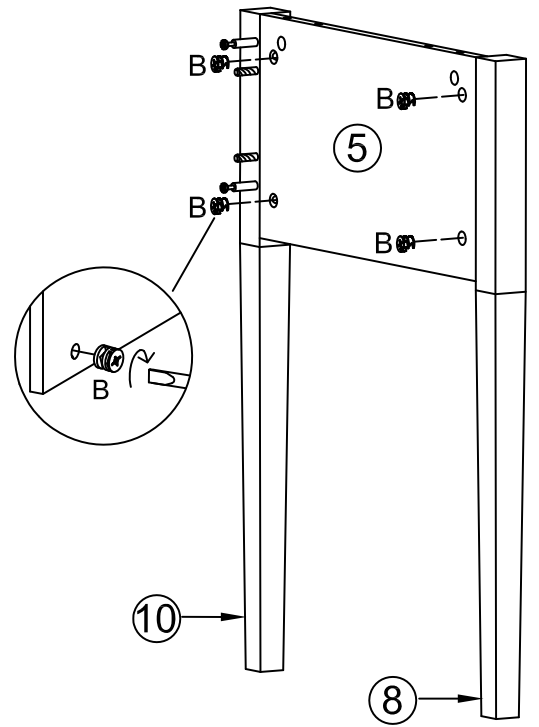
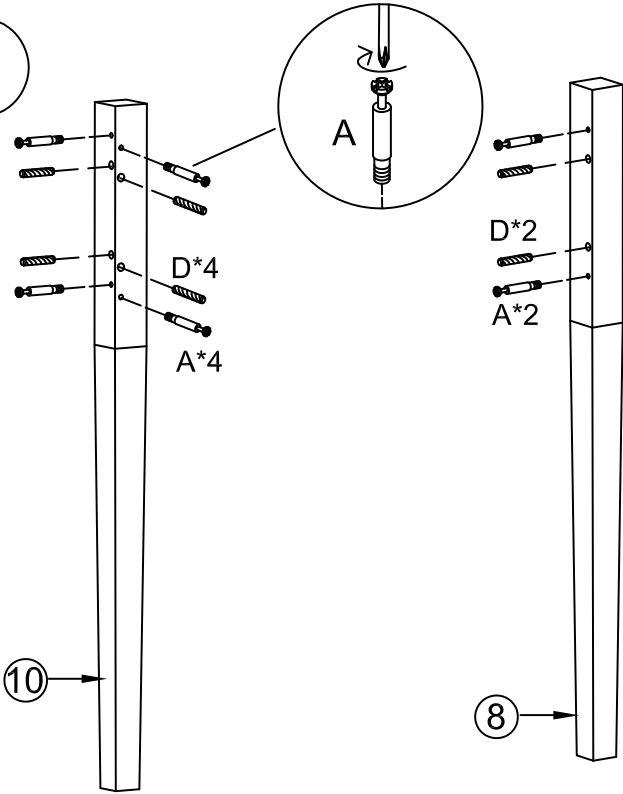
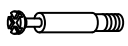




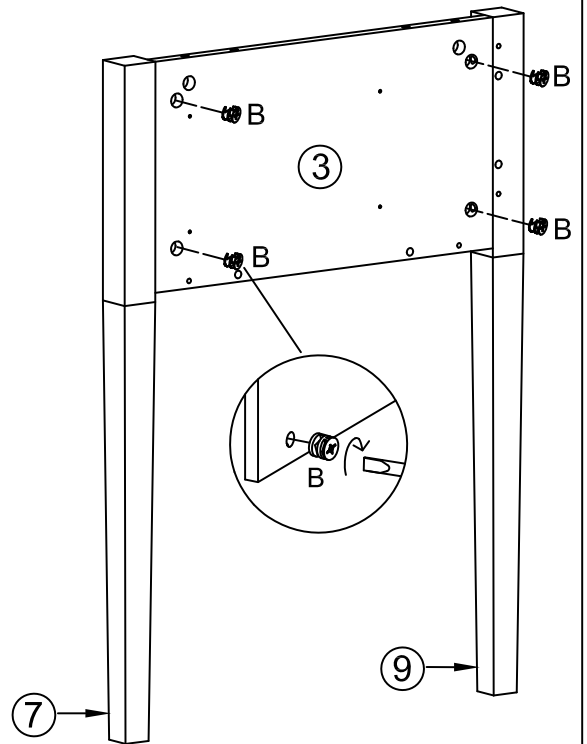
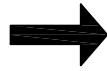
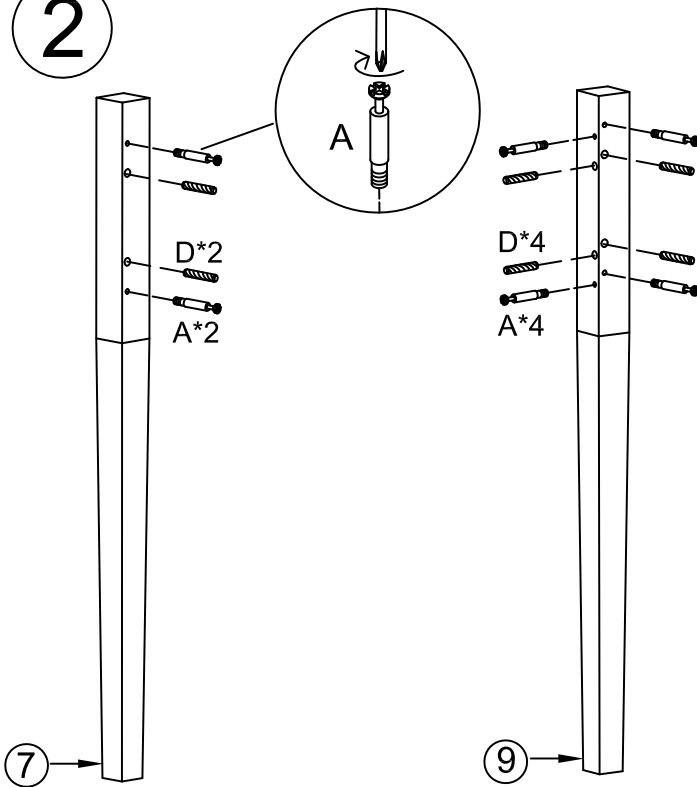
A	x33	B	x33	C	x1	D	x24	E	x16	F	x4	G	x8	H	x4
															
M6*35mm		∅15mm		M7*50mm		∅8*30mm		∅3.5*14mm		∅4*30mm		∅4*35mm		340mm	
I	x4	J	x14	K	x4	L	x1								
															
340mm						M4									

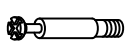


1



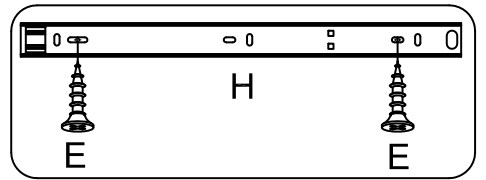
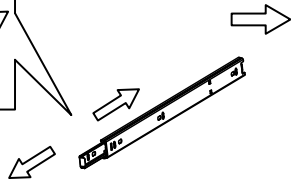
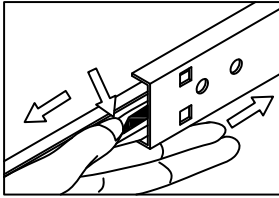
A	x6	B	x4	D	x6
					
M6*35mm		Ø15mm		Ø8*30mm	

2

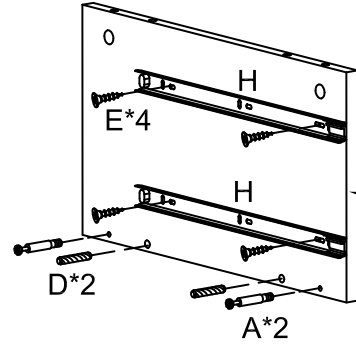
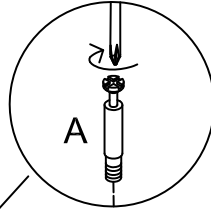
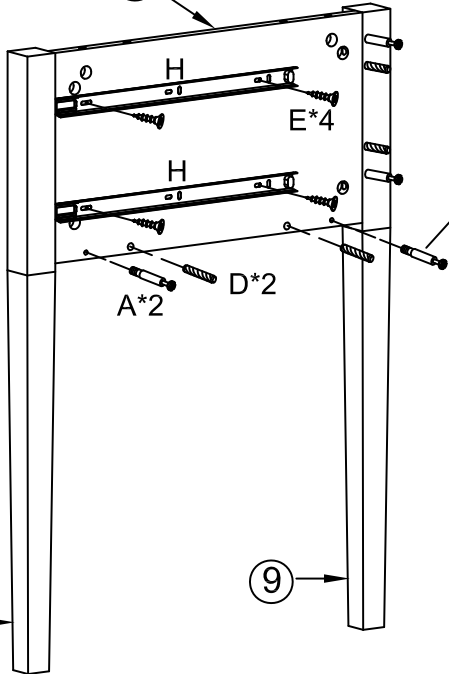


A	x6	B	x4	D	x6
					
M6*35mm		Ø15mm		Ø8*30mm	

3



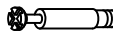
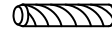


3



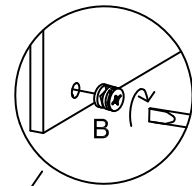
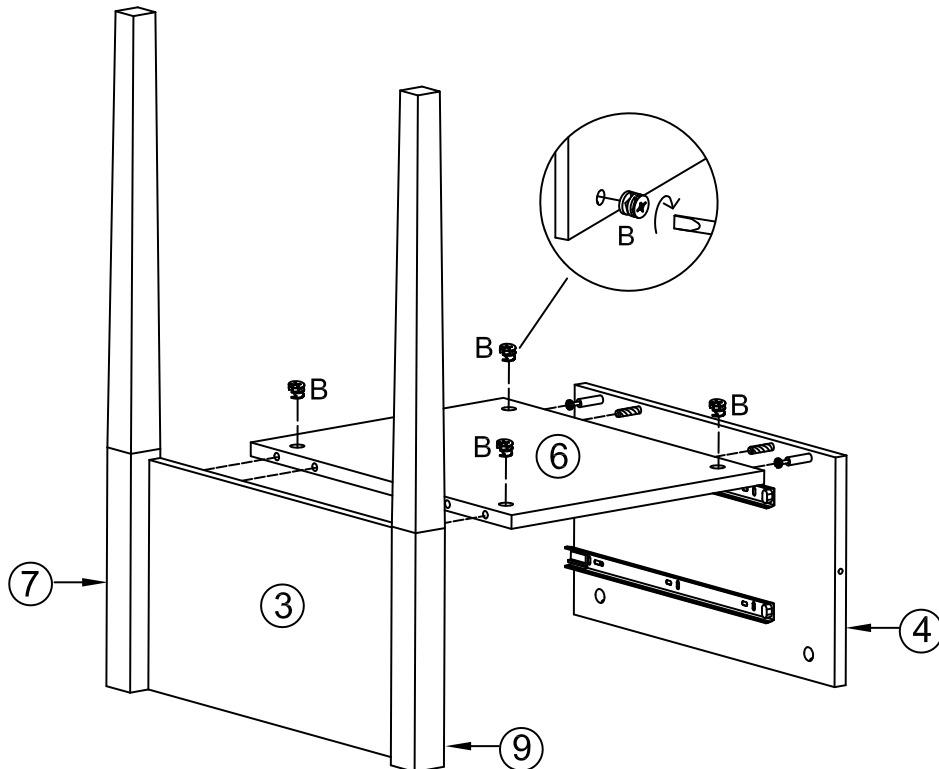
4


7

9

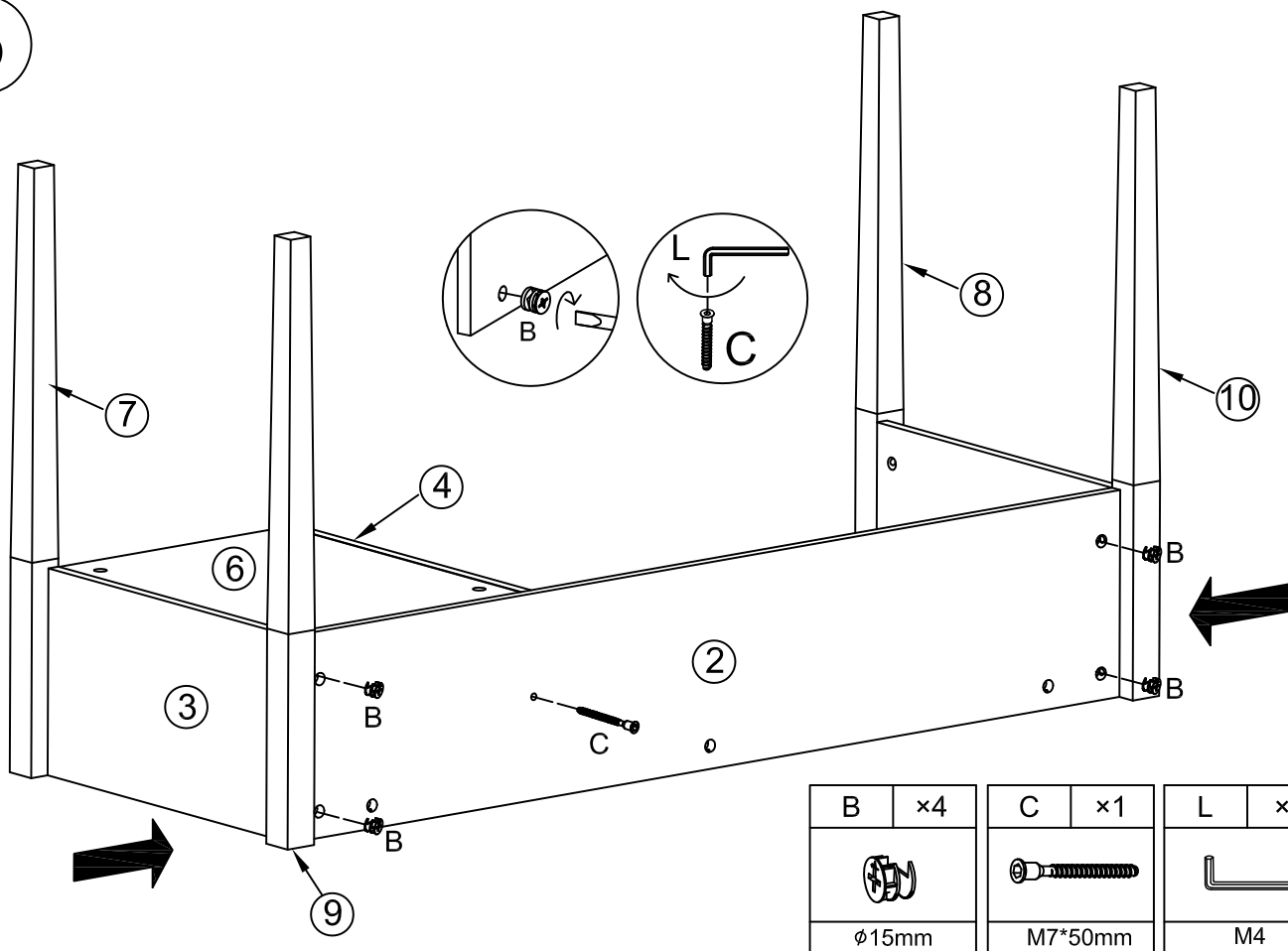
A	×4	D	×4	E	×8	H	×4
							
M6*35mm		ø8*30mm		ø3.5*14mm		340mm	

4

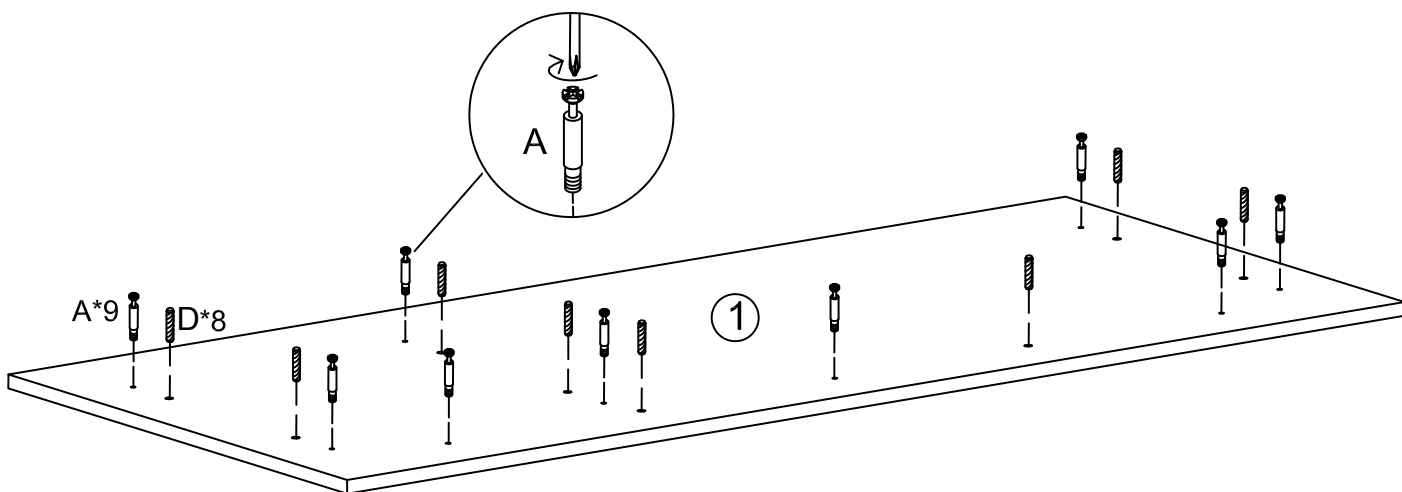


B	×4
	
ø15mm	

5

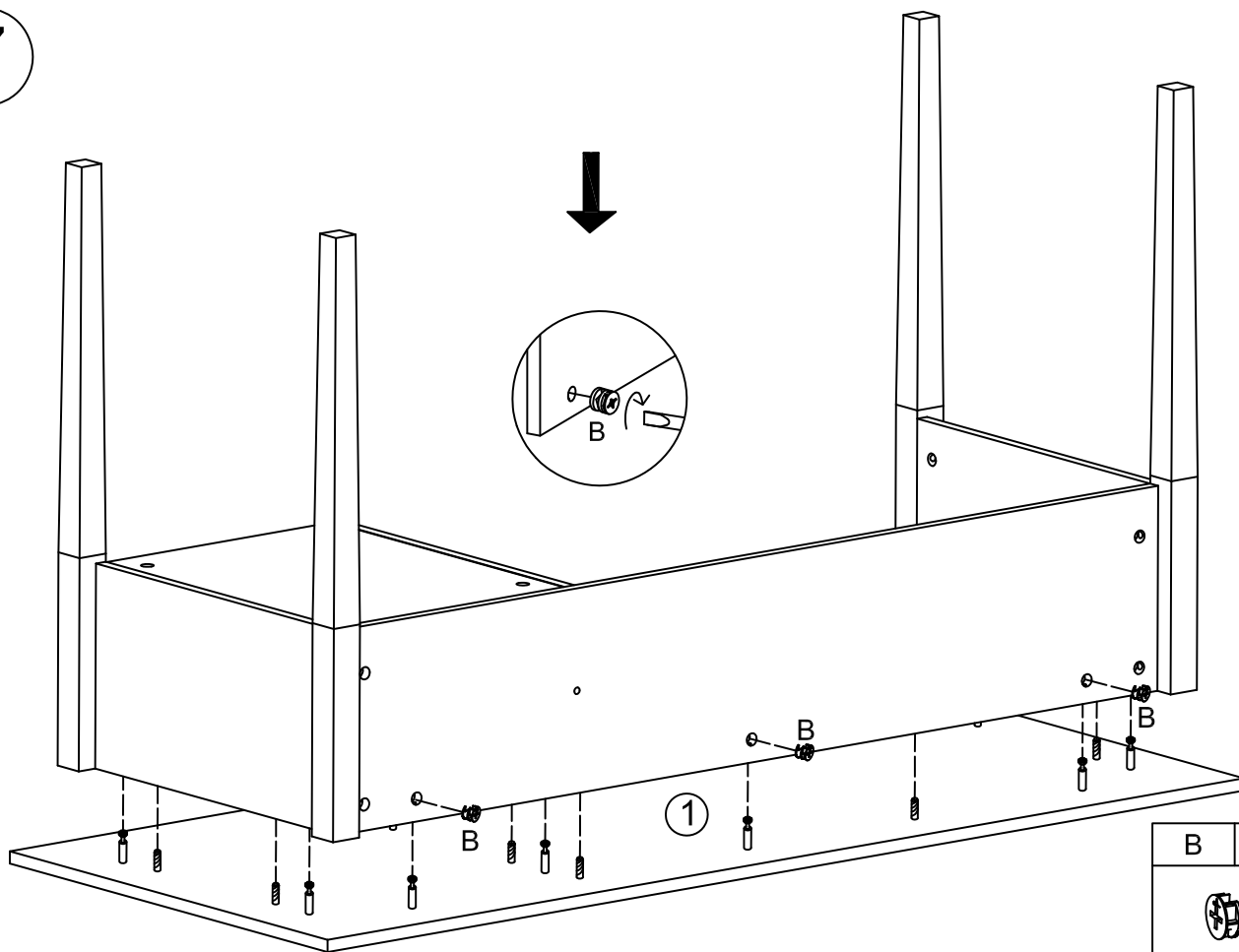



6



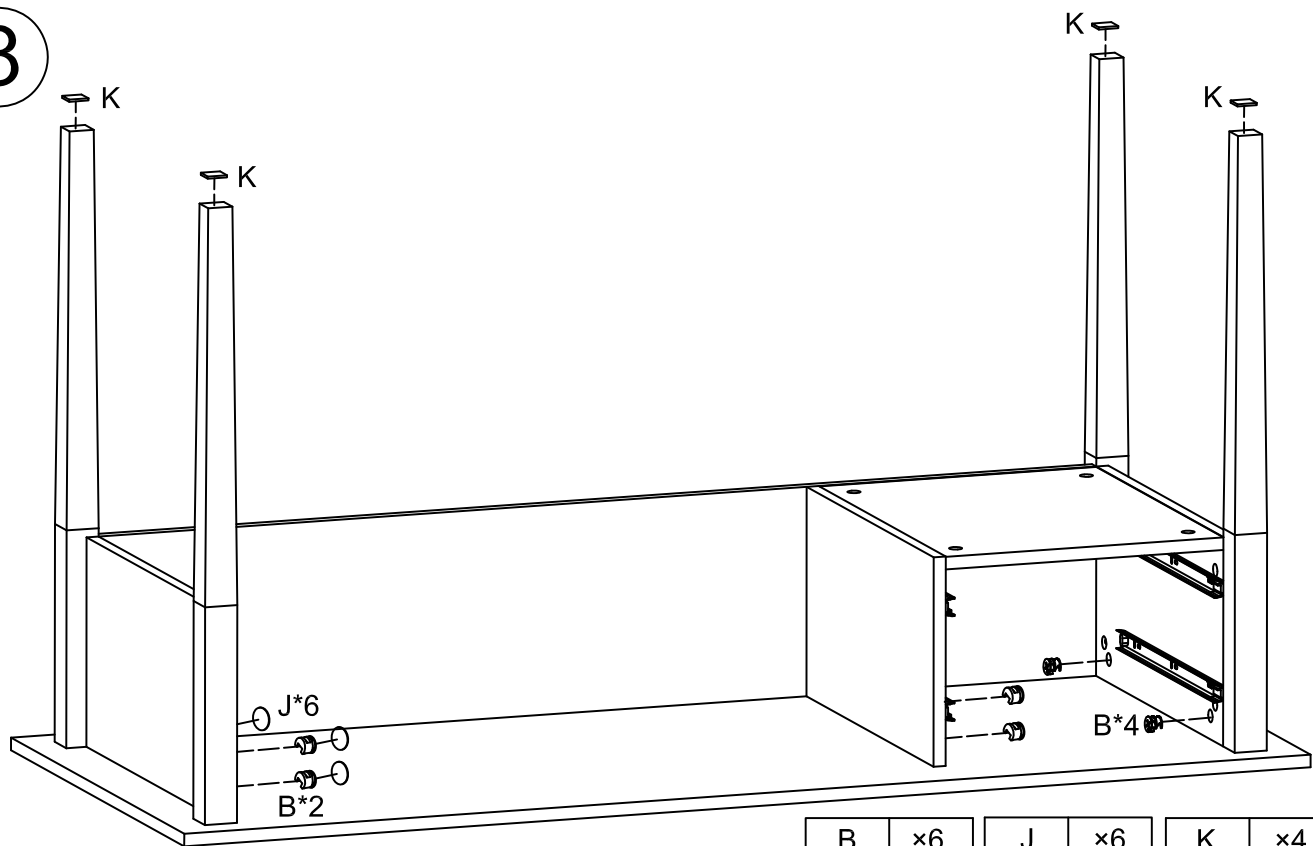
A	x9	D	x8
M6*35mm		φ8*30mm	



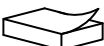
7



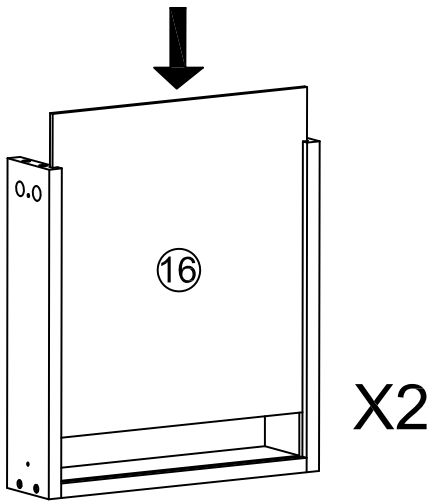
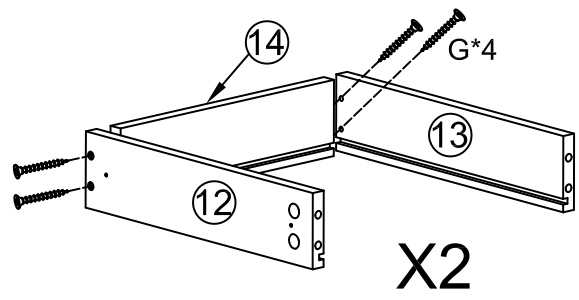
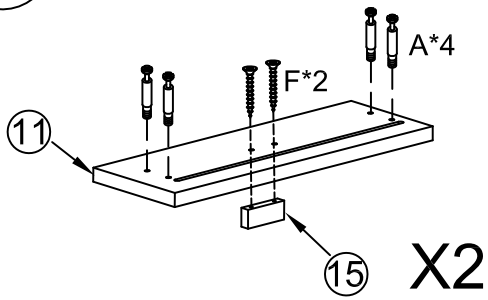
B	x3
	
ø15mm	

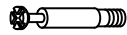
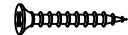
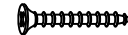
8



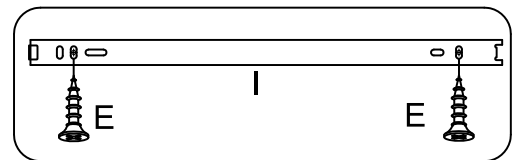
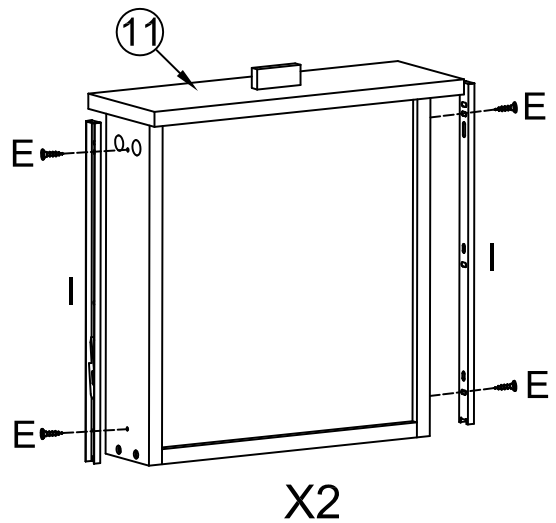
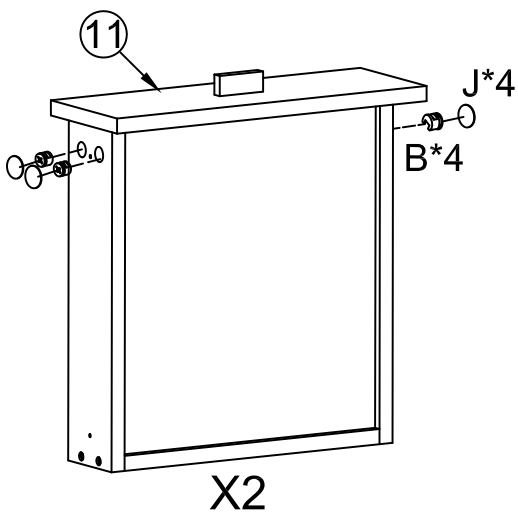
B	x6	J	x6	K	x4
					
ø15mm					


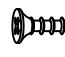


9



A	x8	F	x4	G	x8
					
M6*35mm		φ4*30mm		φ4*35mm	

10



B	x8	E	x8	I	x4	J	x8
							
φ15mm		φ3.5*14mm		340mm			

11

