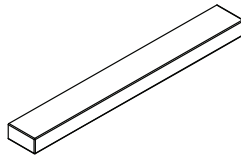
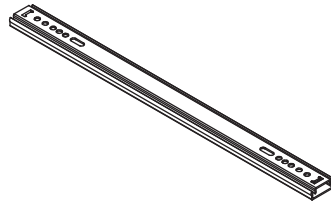


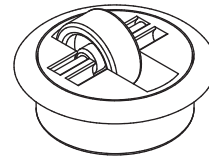
BU4626



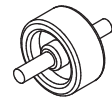
M203
x3



A34
x6

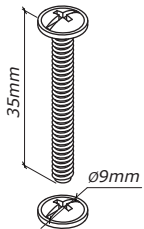


H256
x4

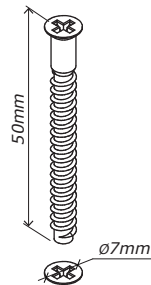


H257
x4

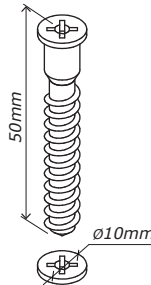
BU4618



V123
x6



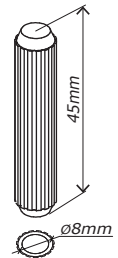
V130
x12



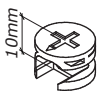
V45
x4



T28
x10



H325
x12



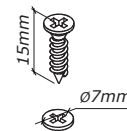
T98
x6



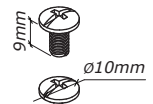
T99
x4



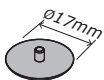
H54
x12



V5
x26



V38
x6



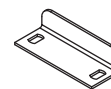
G136
x6



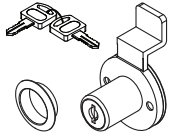
H2
x12



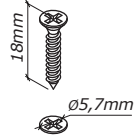
H113
x6



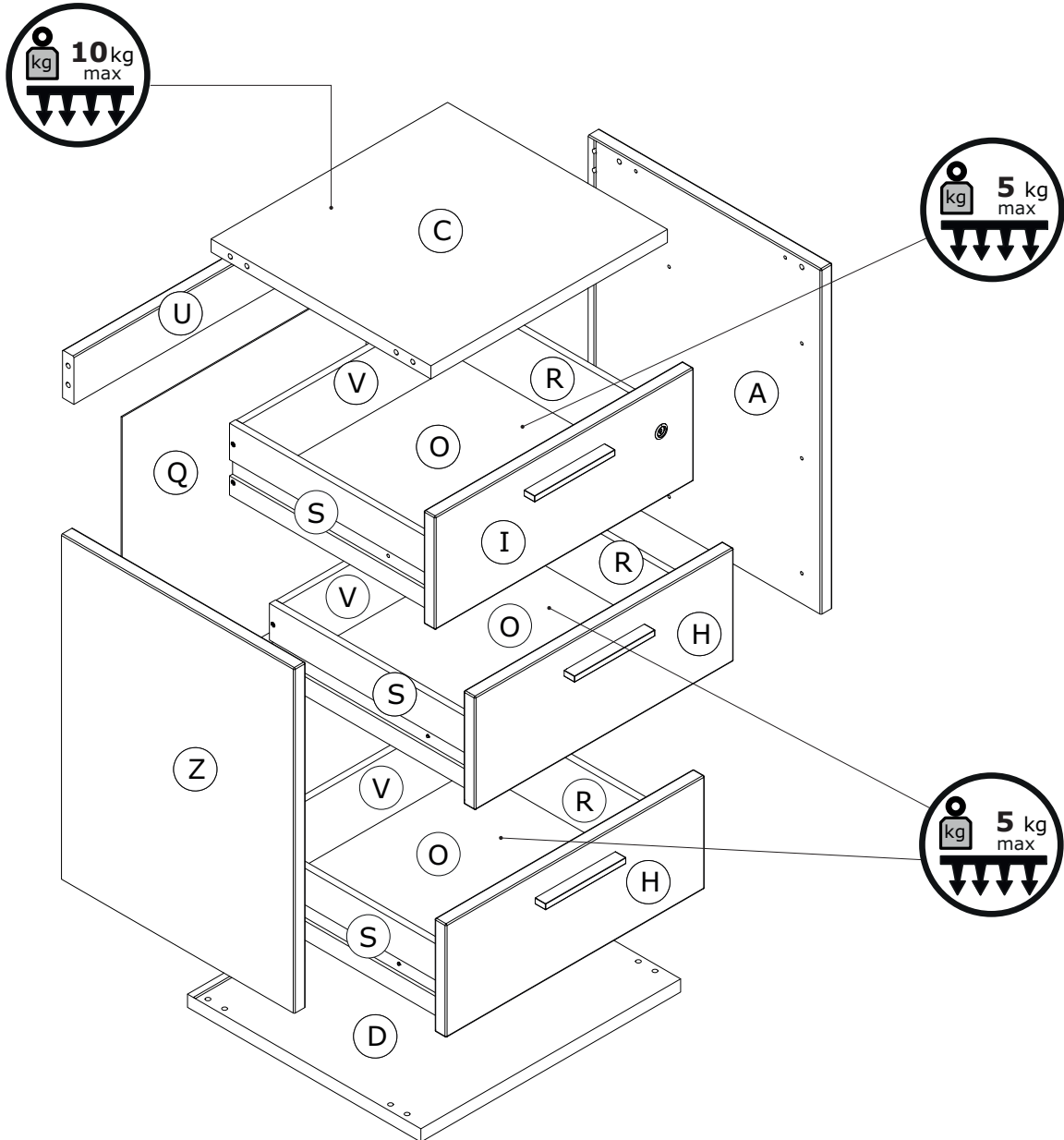
H194
x1

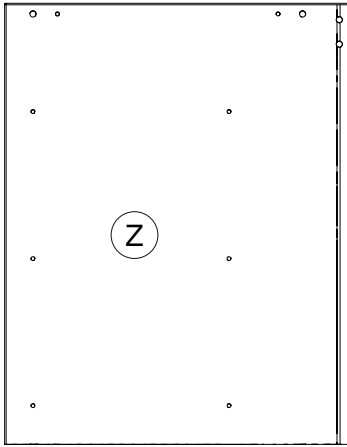


H190
x1

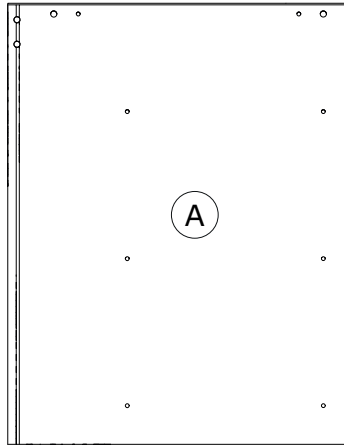


V88
x2

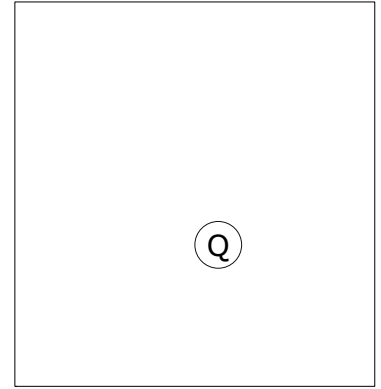




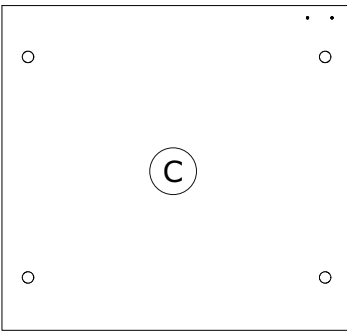
FI8989
576x449x22mm



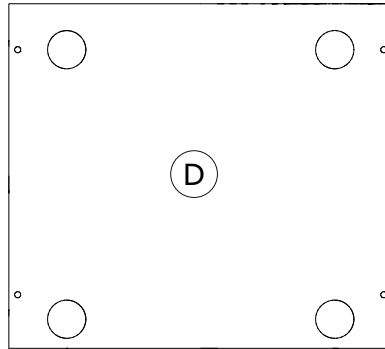
FI8988
576x449x22mm



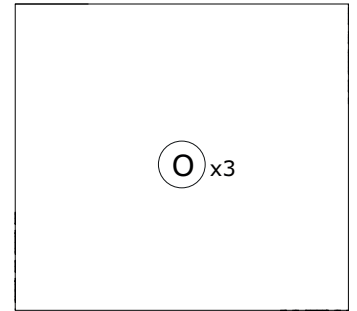
SH3495
502x470x2mm



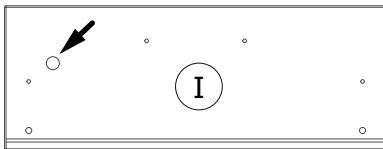
PI7314
456x424x22mm



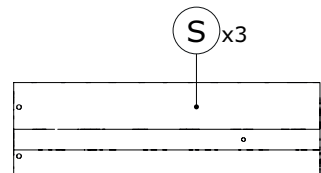
BA2279
501x450x22mm



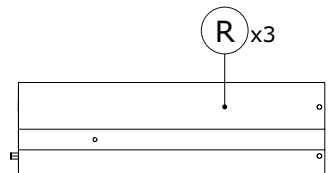
SH3513
435x400x2mm



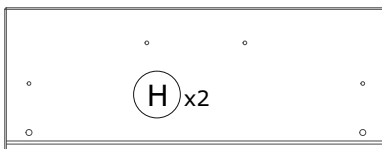
CS3761
499x189x22mm



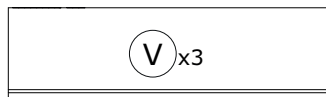
OS0321
400x120x12mm



OS0320
400x120x12mm



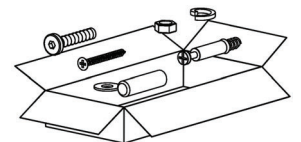
CS3759
499x189x22mm



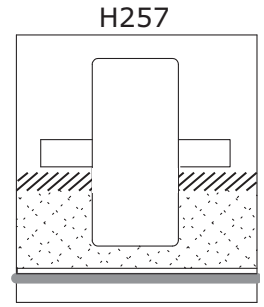
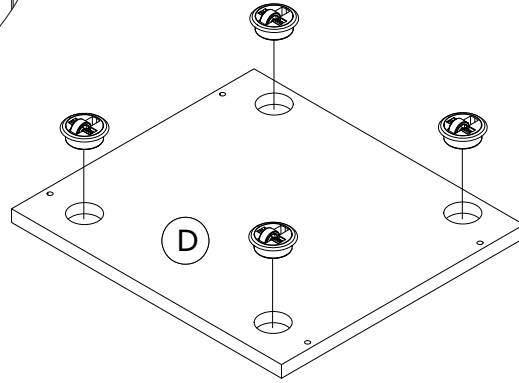
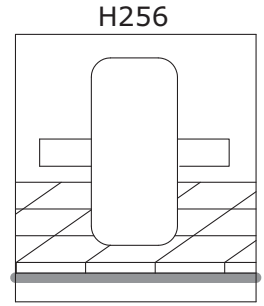
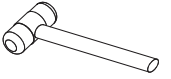
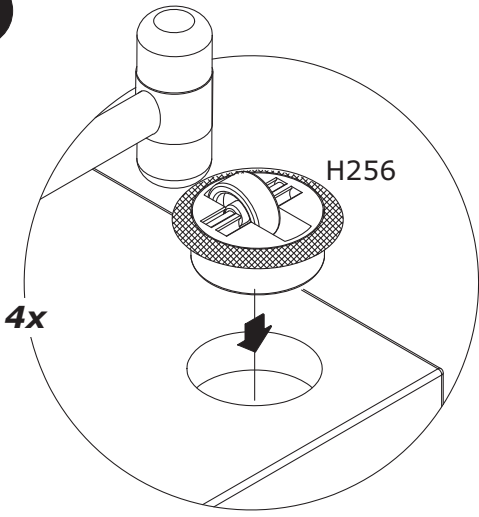
OS0322
424x120x12mm



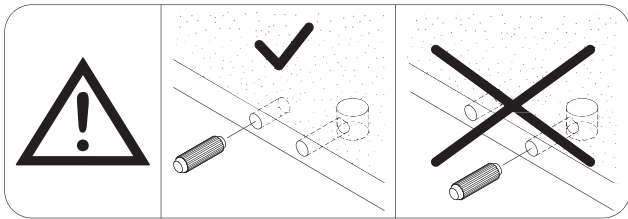
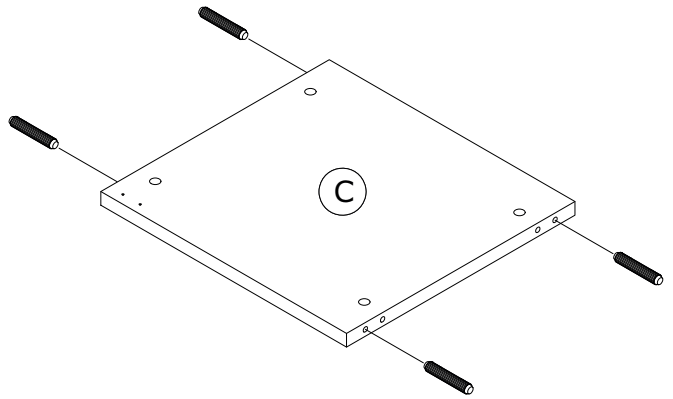
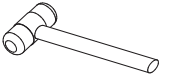
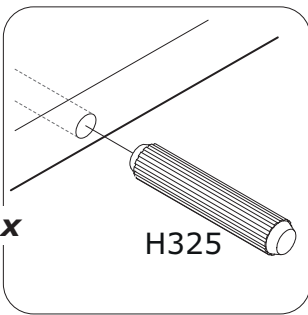
FS4242
456x80x22mm



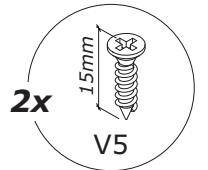
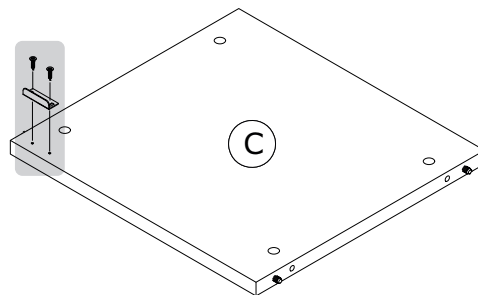
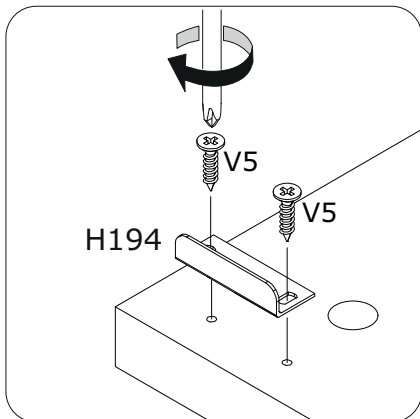
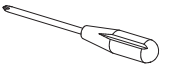
1



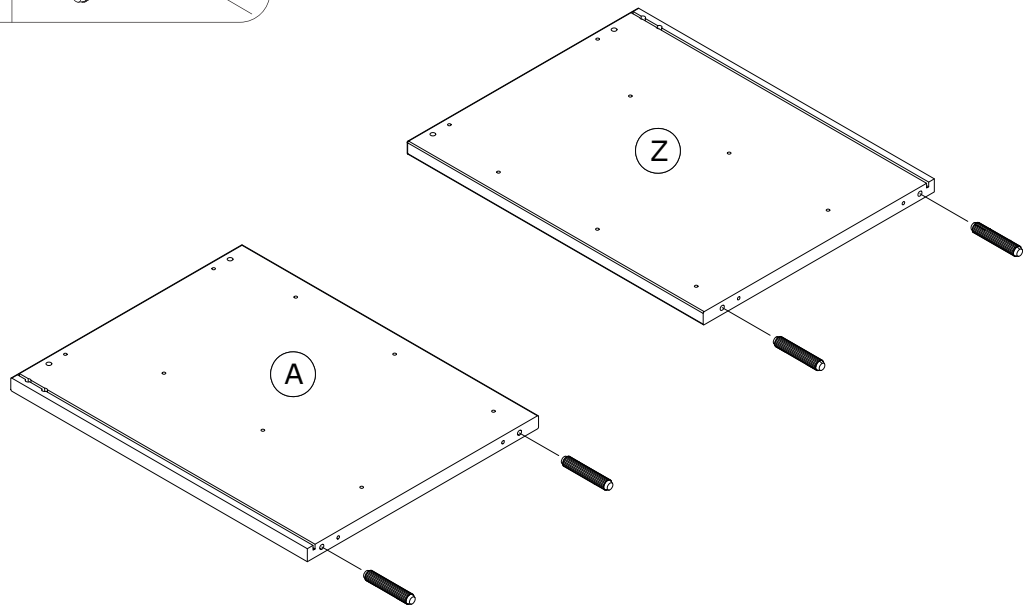
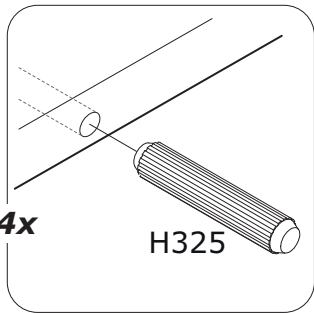
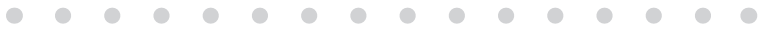
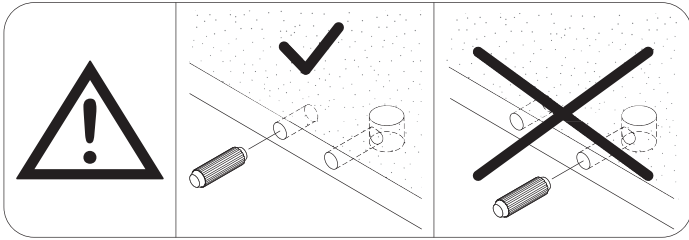
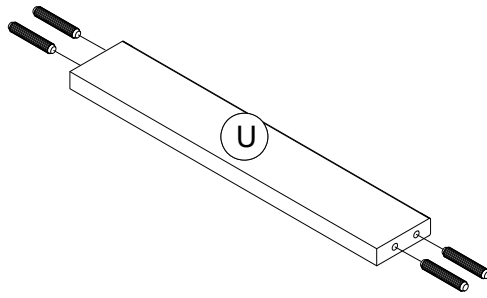
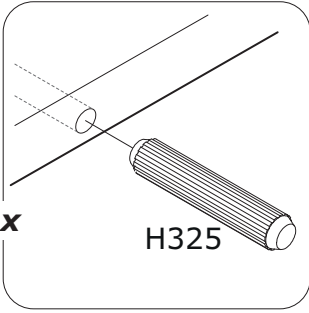
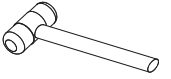
2



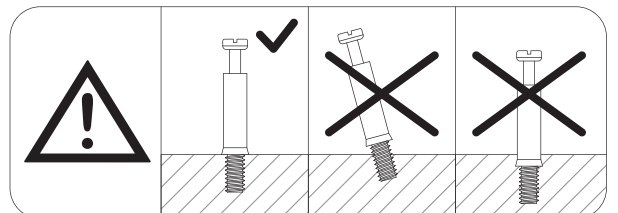
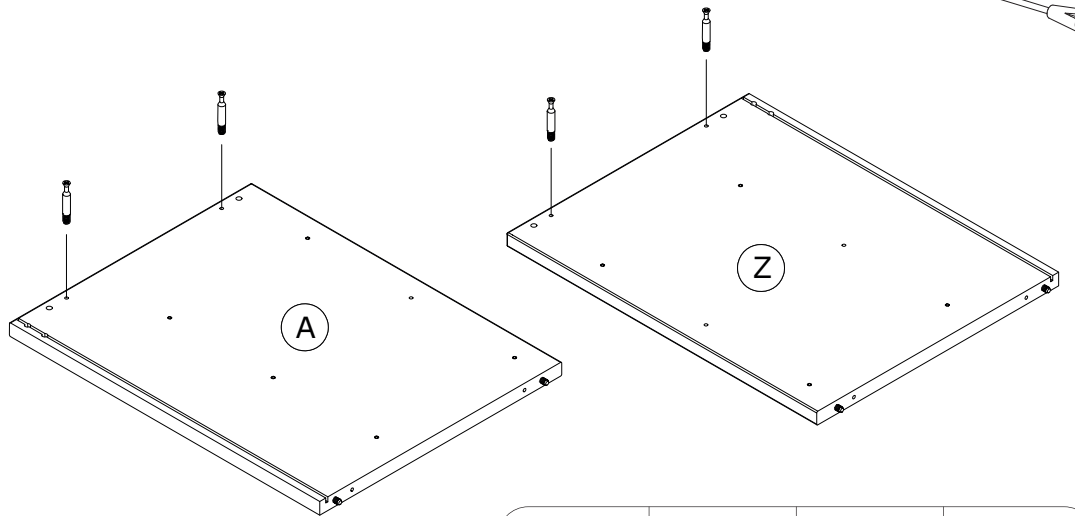
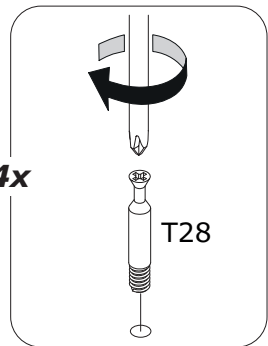
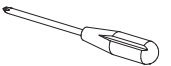
3



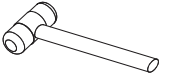
4



5

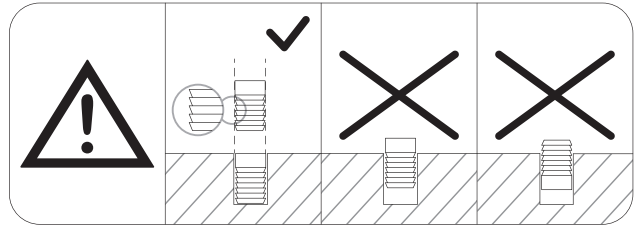
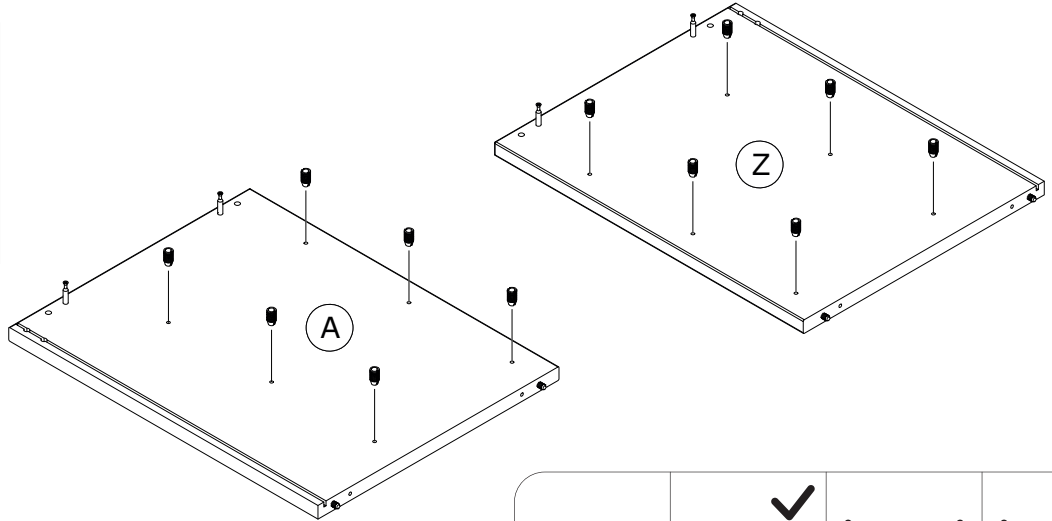
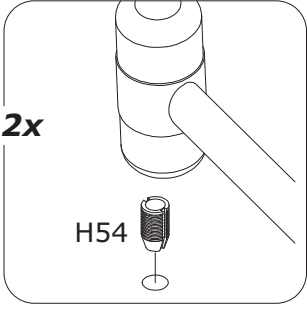


6

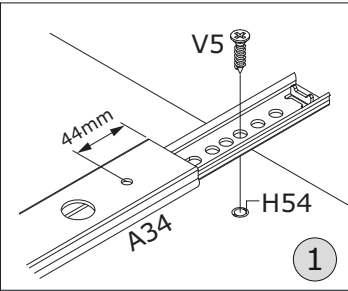
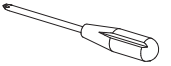


12x

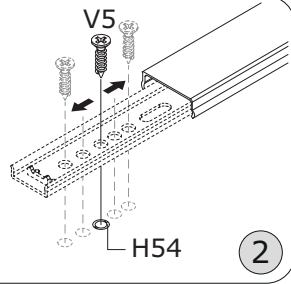
H54



7

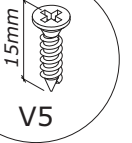


1



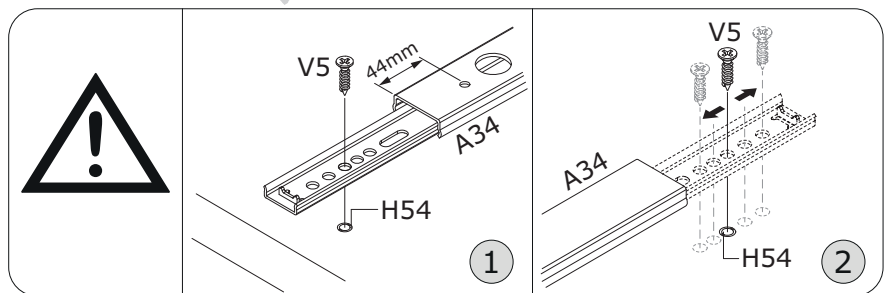
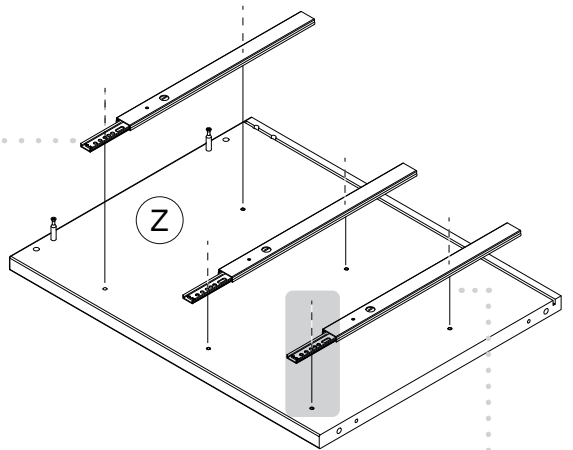
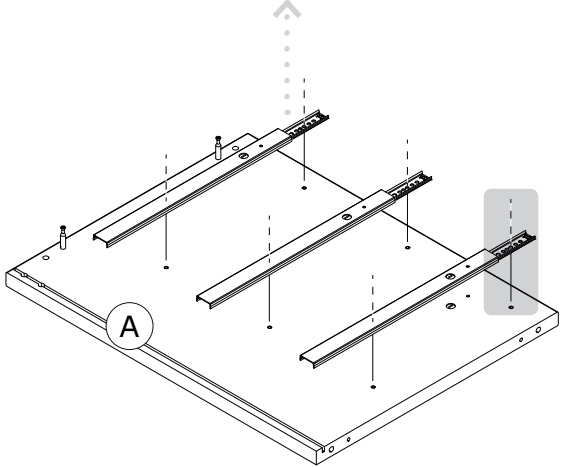
2

12x

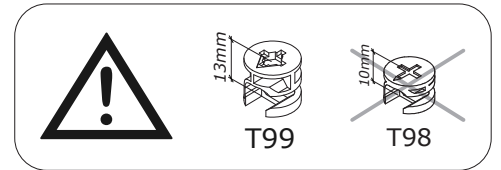
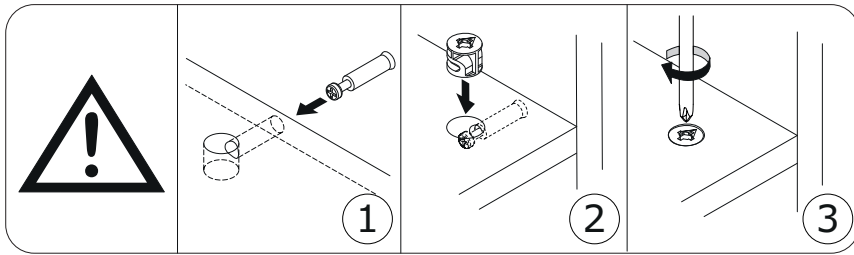
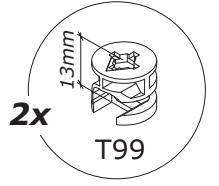
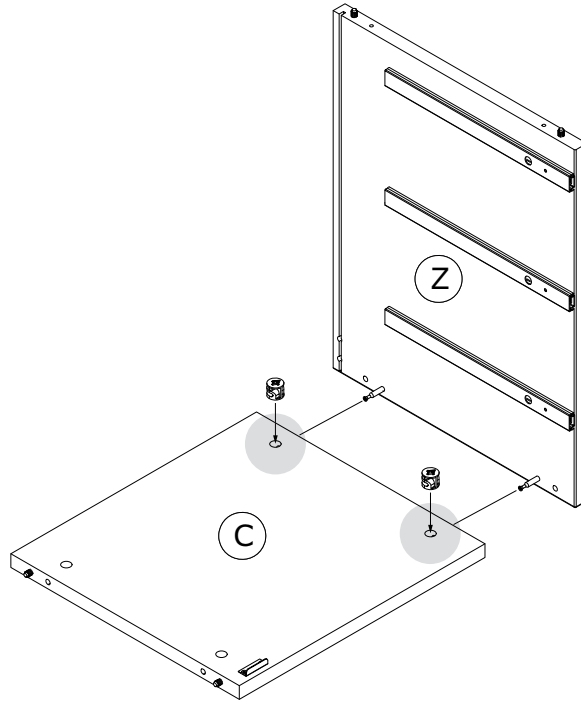
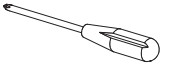


15mm

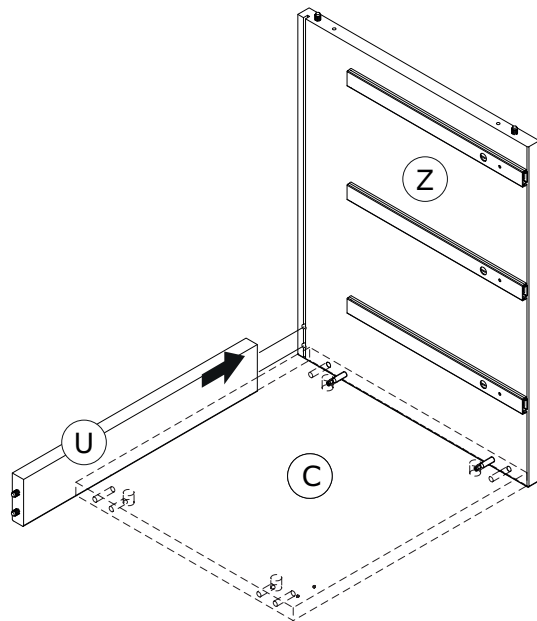
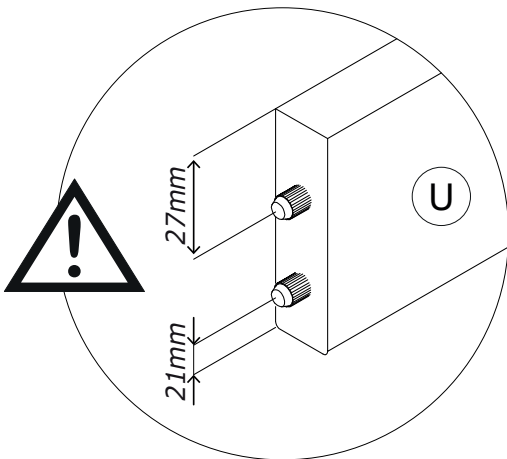
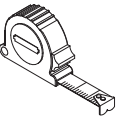
V5



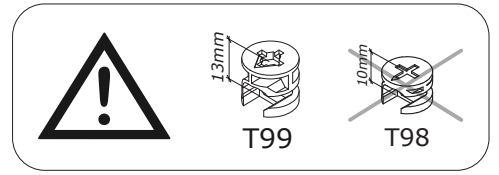
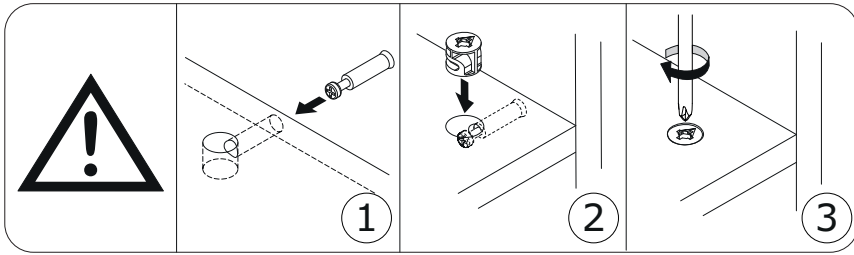
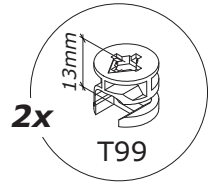
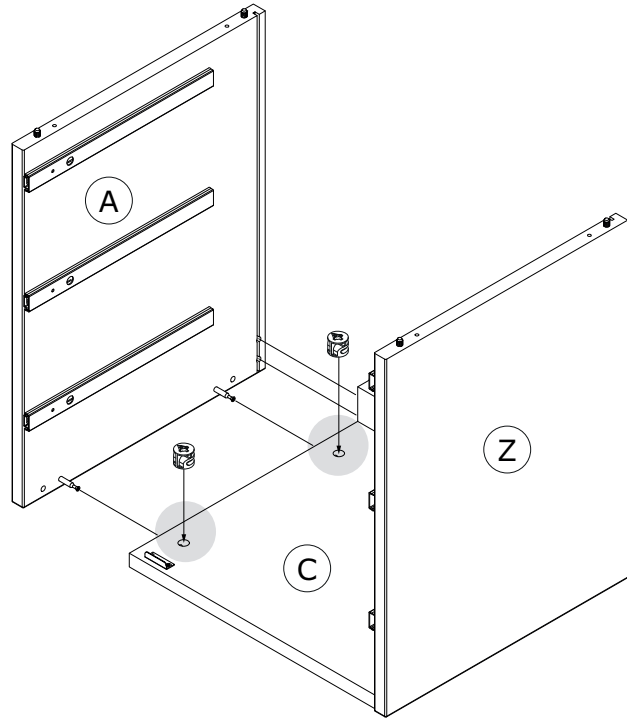
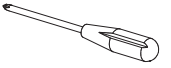
8



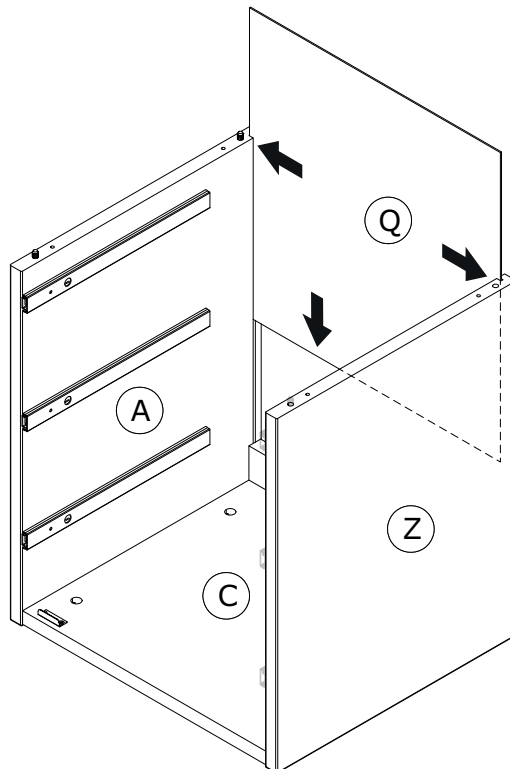
9



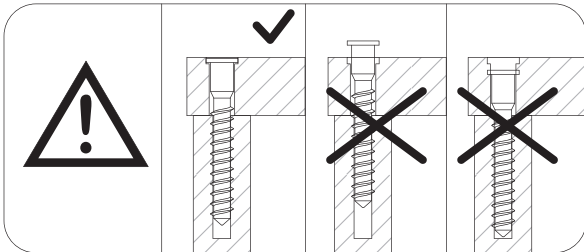
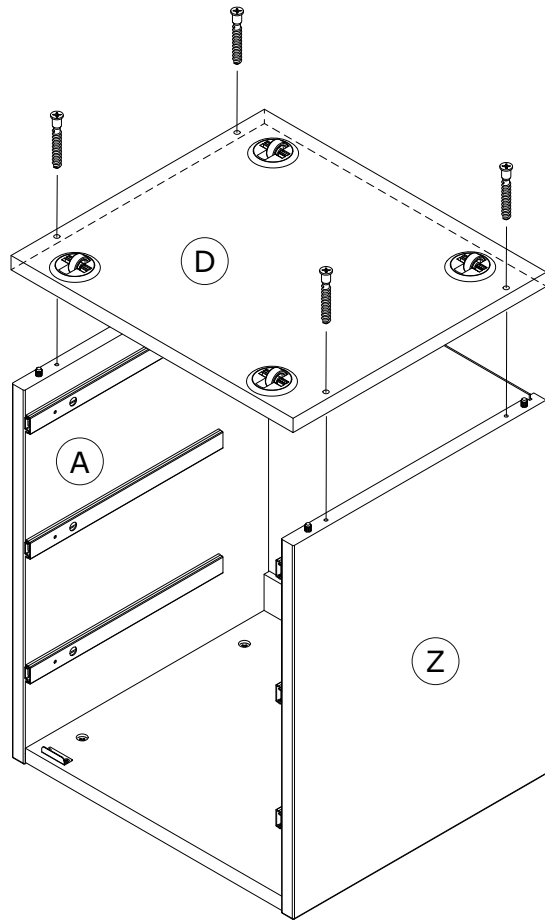
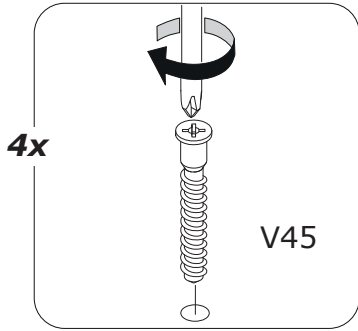
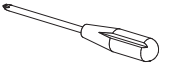
10



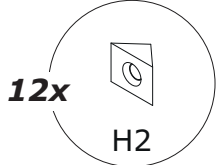
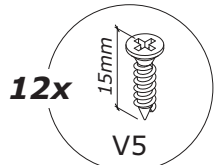
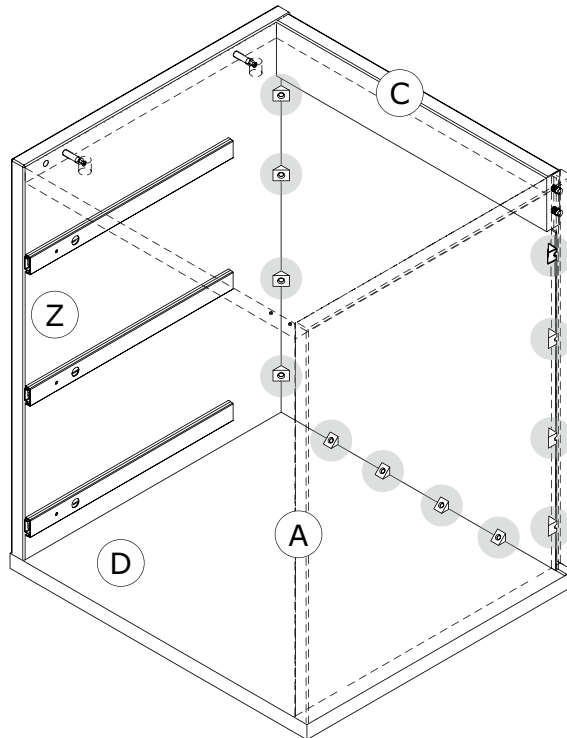
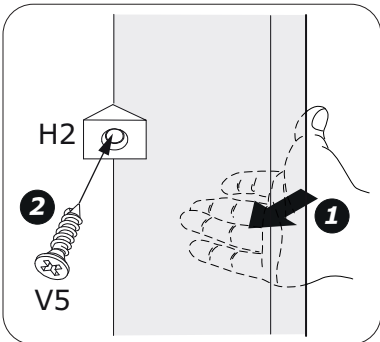
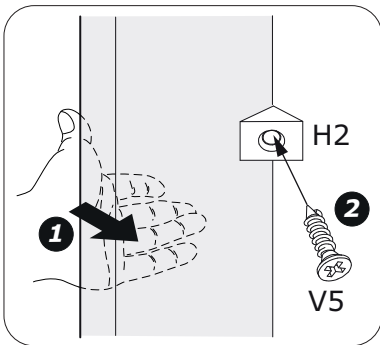
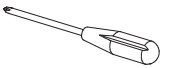
11



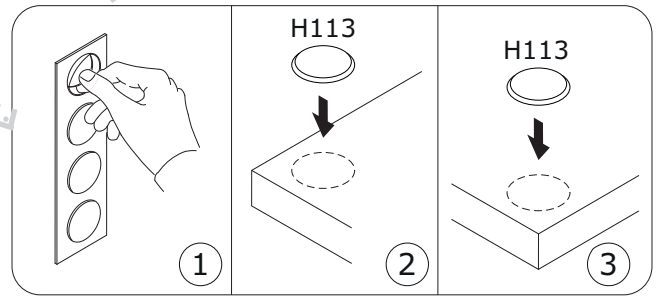
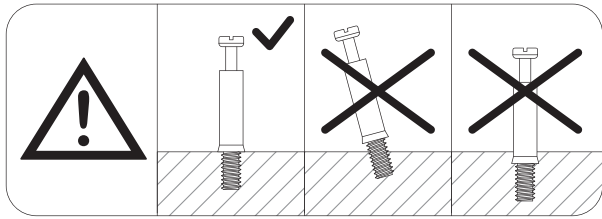
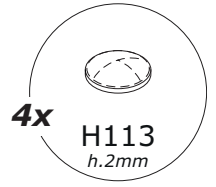
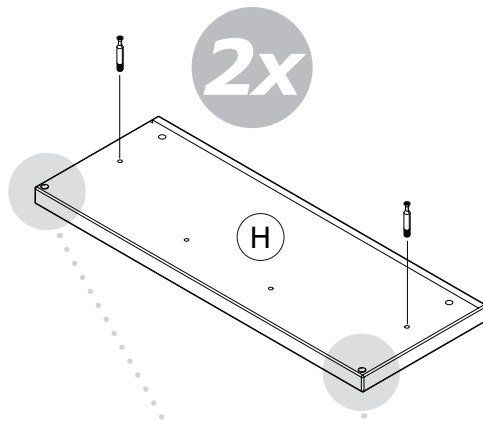
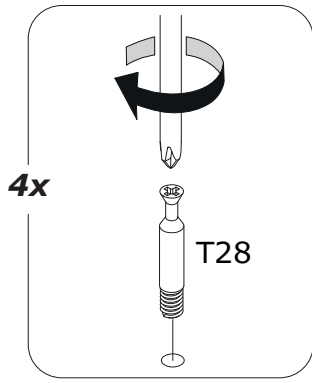
12



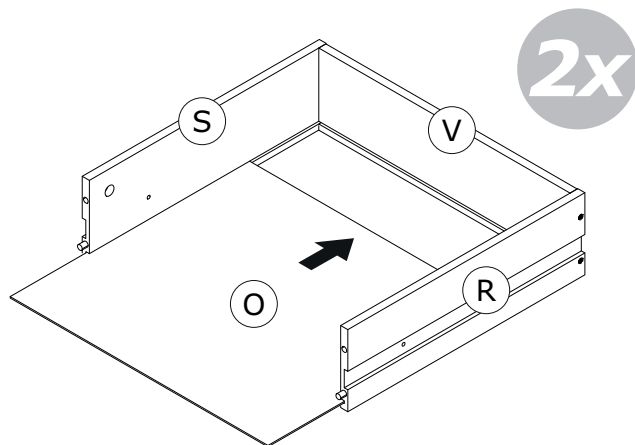
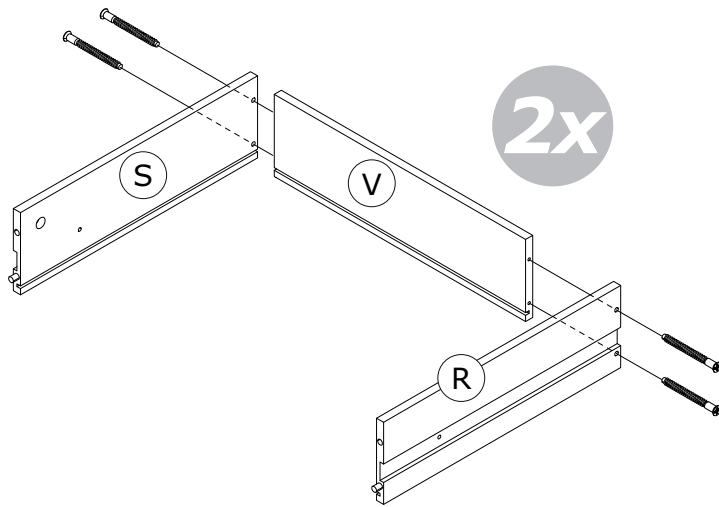
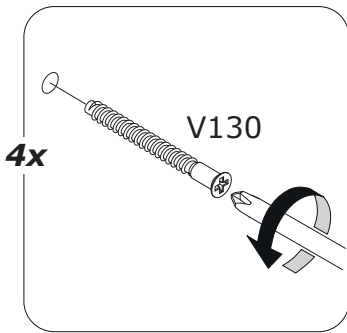
13



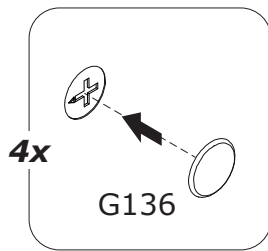
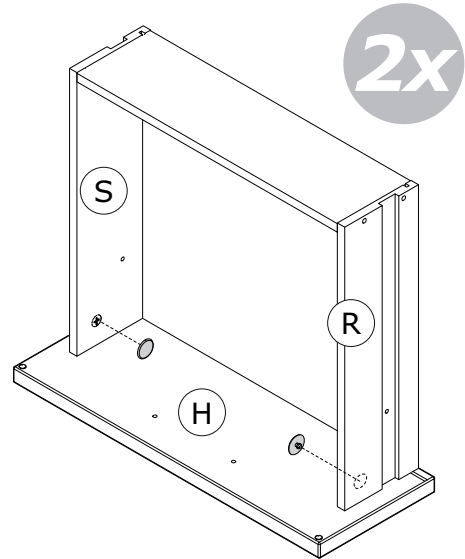
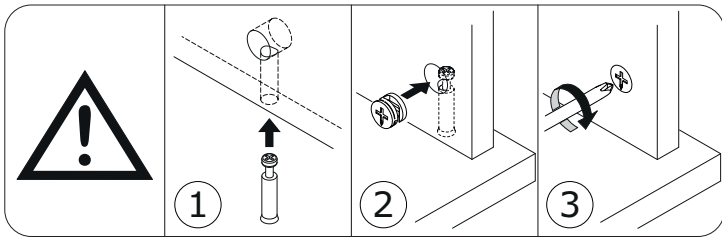
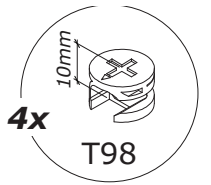
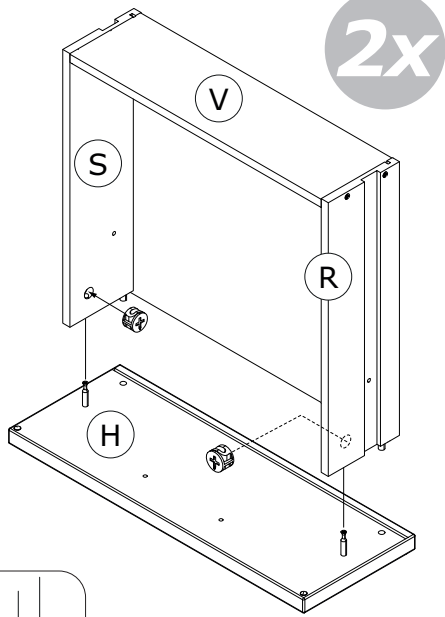
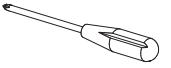
14



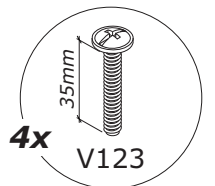
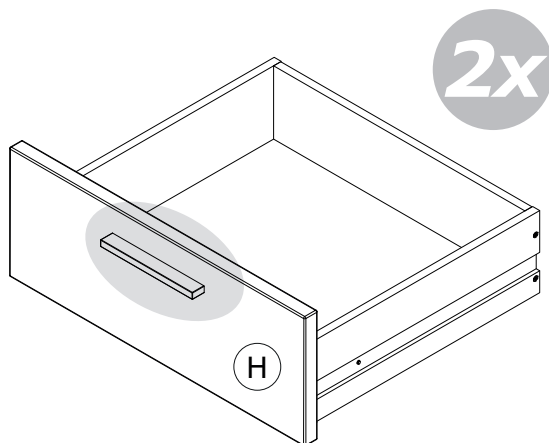
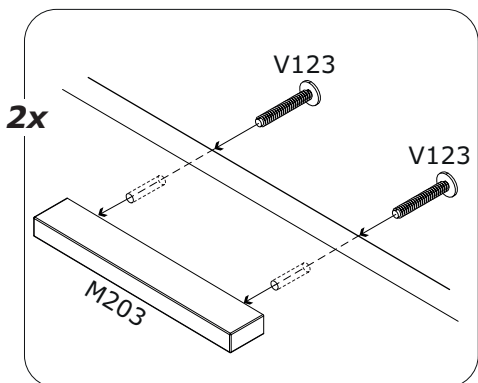
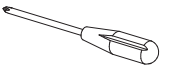
15



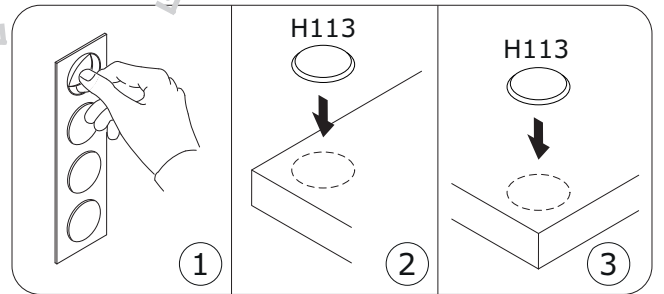
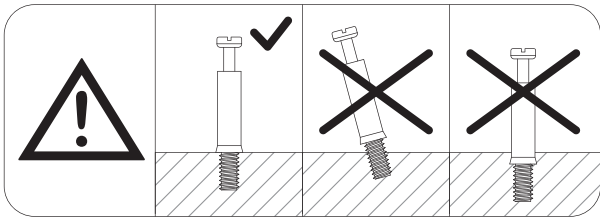
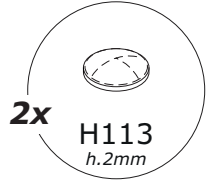
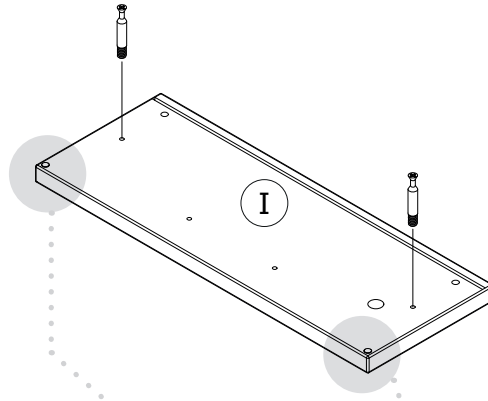
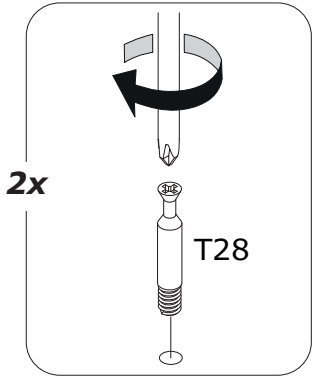
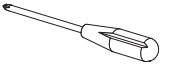
16



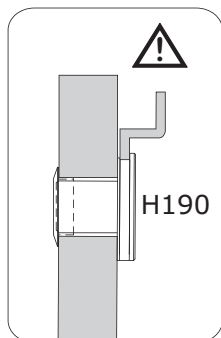
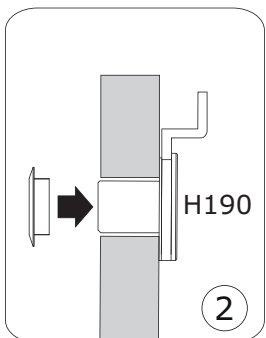
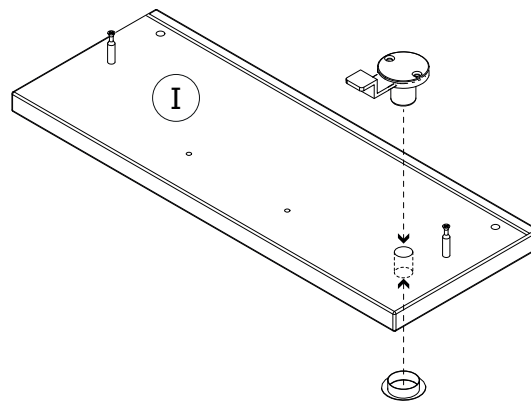
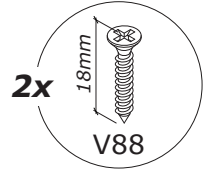
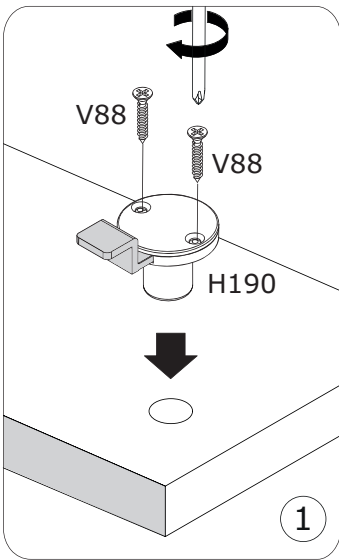
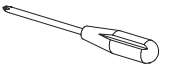
17



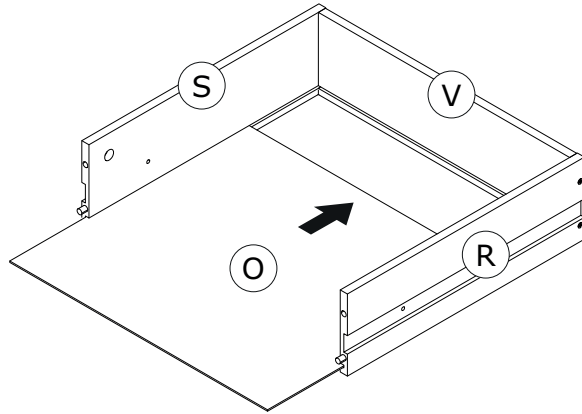
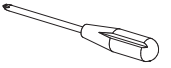
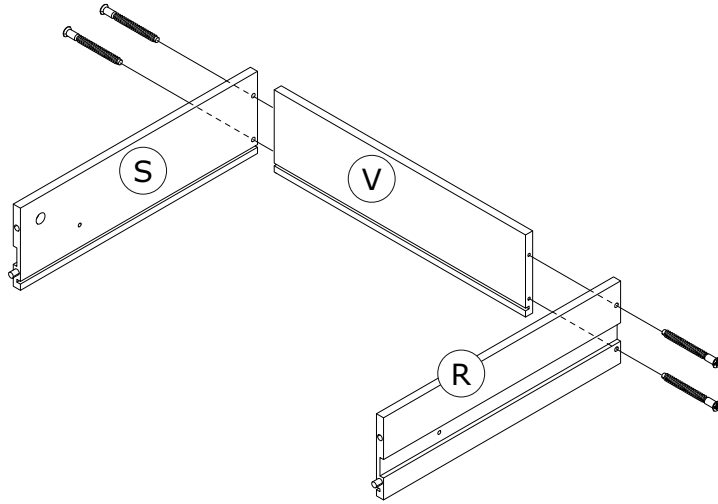
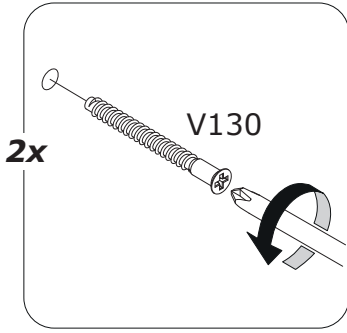
18



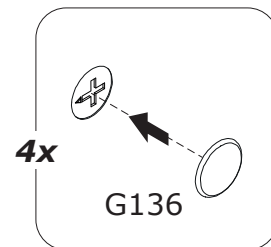
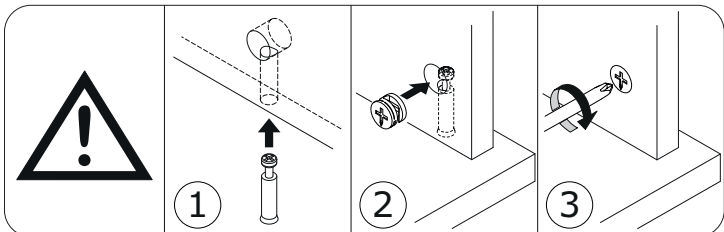
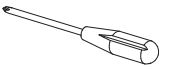
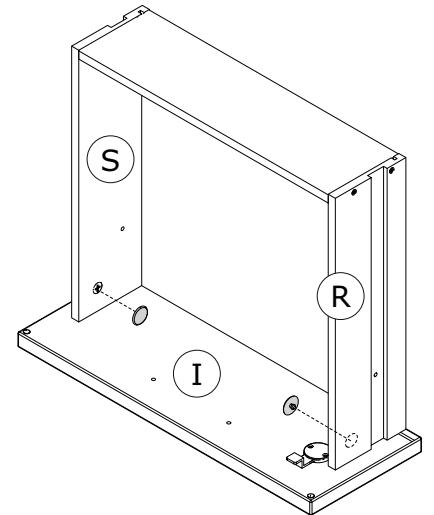
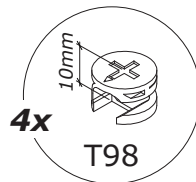
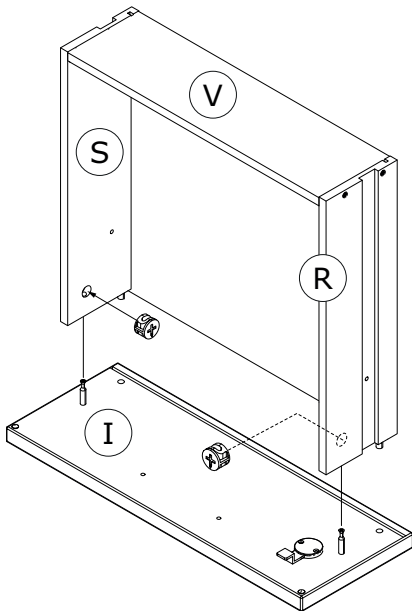
19



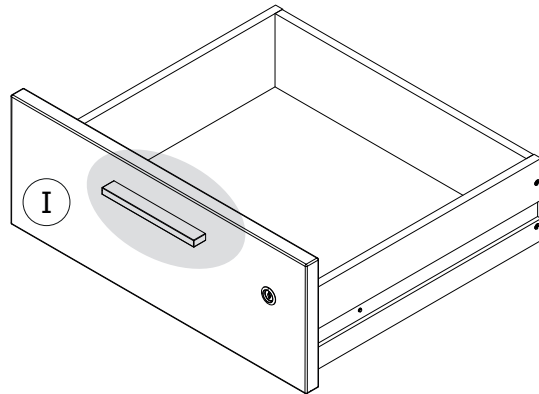
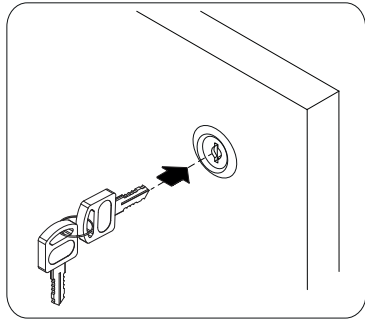
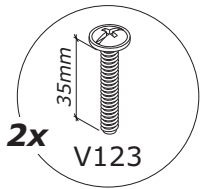
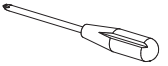
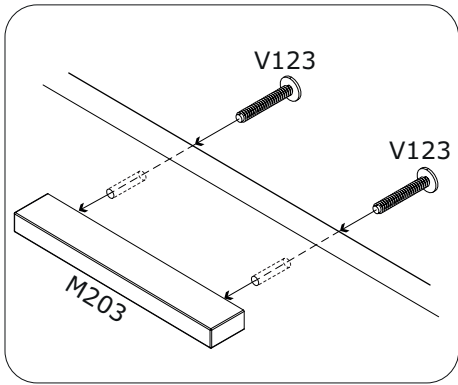
20



21



22



23

